

ROTADAIRON®

RDL 150

STONE BURIER FOR TRACTOR

SOIL PREPARATION

SEEDING

OVERSEEDING

DETHATCHING
SPIKING

MULCHING



MADE IN FRANCE

STONE BURIER FOR TRACTOR

RDL 150

Functions of the stone burier RDL 150

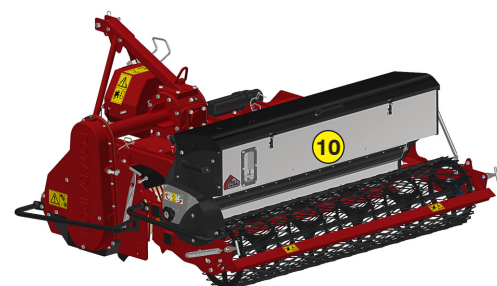
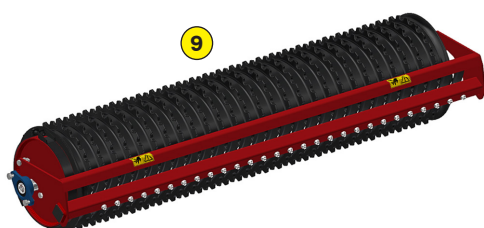
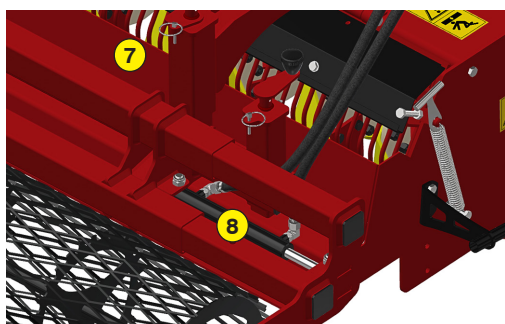
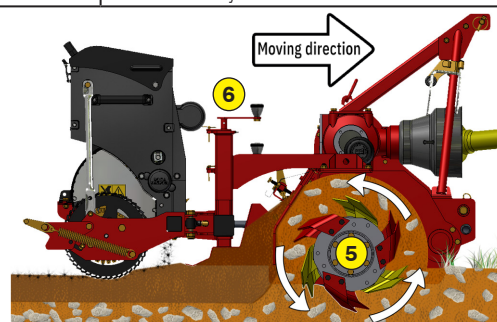
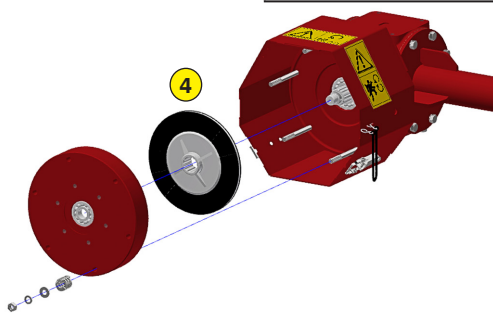
This soil preparer and stone burier is designed for tractors. It allows the building or renovation of green spaces by preparing the seed bed before seeding. The machine is multi-purpose, it allows tilling, burying (stones, rubbish, herbs, etc.), levelling, mixing and rolling the surface. The use is done live or on a ground previously decompacted in depth.

Quality of service

A large stock of spare parts is permanently maintained at our factory. Our partners have online tools and quick access to manufacturer information. Maintain the quality and performance of your Rotadairon® by using only original parts.

- 1 Oversized rotor
- 2 Anti-pad blades (Rotadairon® patent)
- 3 Selection grid finger
- 4 Torque limiter with dry friction and flywheel
- 5 Soil preparation principle
- 6 Working depth adjustment
- 7 Grader blade
- 8 Option : Rear mesh roller side adjustment device by cylinder
- 9 Option : Cast iron grooved disc roller + Scraper
- 10 Option : Stainless Steel Splice Dispenser Seeder

Machine	RDL 150
Working width	1500 mm (59")
Total width	1950 mm (76" 3/4)
Weight with mesh metal roller	798 Kg (1759.2 lb)
Tractor : Required power	45 - 60 CV
Tractor : Max track width	1,80 meters (71")
Profondeur de travail (maxi)	160 mm (6" 1/4)
Rotor outer diameter	510 mm (20")
Depth adjustment	Support on rear roller adjustable by screw jacks
Number of blades	48
Grid finger spacing	20 mm (4/5")
3 point hitch	Categories 1 & 2
PTO speed	540 tr/min
Tractor forward speed	0.8 to 1,5 Km/h (0.5 to 0.9 mph)
Transmission	Angle gearbox + Oil bath chain
Security	Torque limiter with dry friction and flywheel
Transport dimension w x L x H	1930 mm x 1880 mm x 1120 mm (76" x 74" x 44")
Weight with cast iron notched disc roller	955 Kg (2105.4 lb)
Options	- Rear mesh roller side adjustment device by cylinder - Cast iron grooved disc roller + Scraper - Stainless Steel Splice Dispenser Seeder : SMC 150 - Gravity Grass Seeder : SG 150



ROTADAIRON
 Official distributor for Romania
 COMFOREX Impex S.R.L. Constanta B-dul.
 I.C.Bratianu nr.205
 Mail : office@comforex.ro
 Phone number : +4 0241 695 120



www.comforex.eu