

CS-2511TES

Serial Number

38000001-38999999

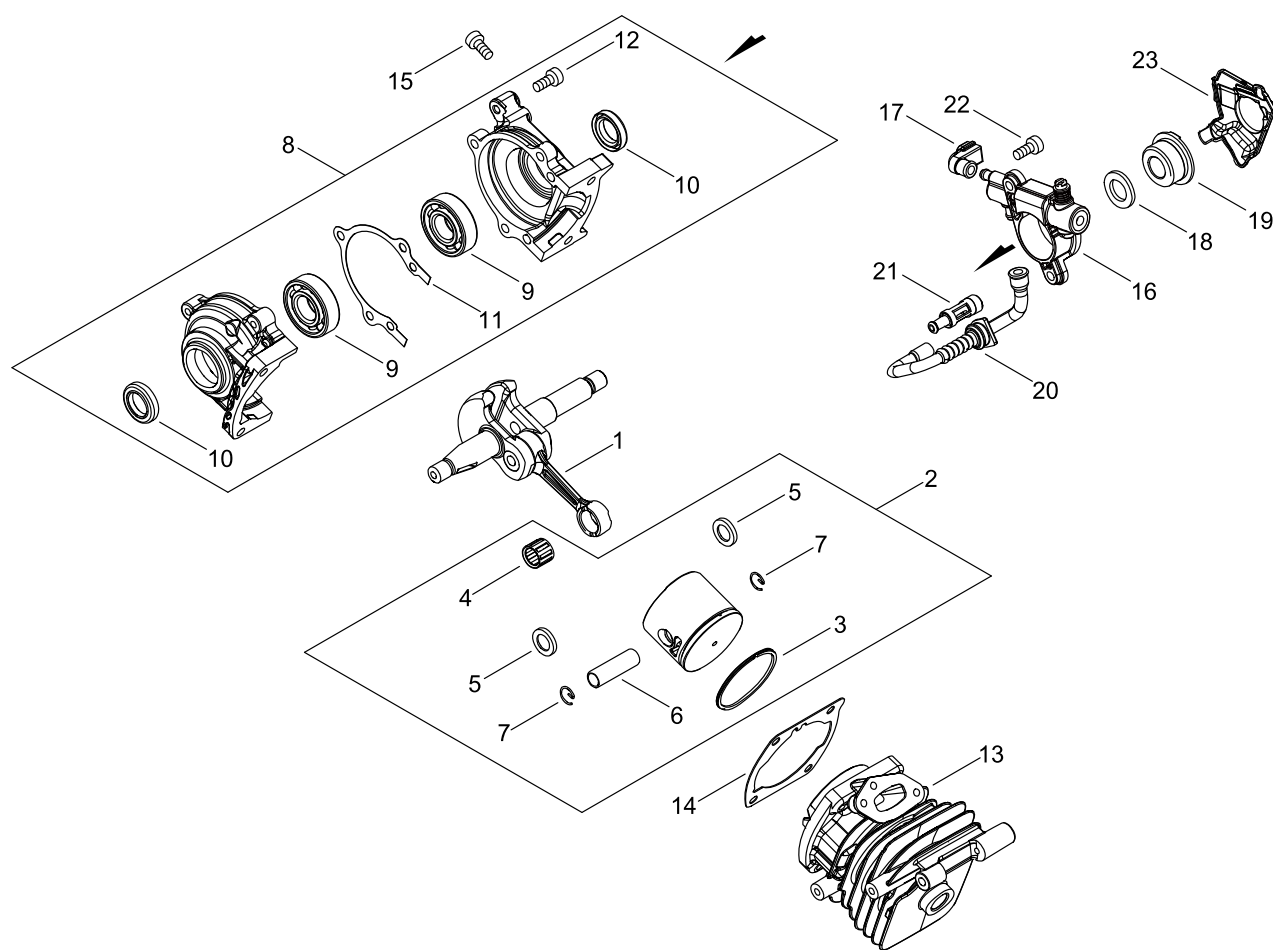
Last updated date

20/Feb/2023

TABLE OF CONTENTS

| | |
|------------------------------------|----|
| CYLINDER, PISTON, CRANKSHAFT | 1 |
| ENGINE COVER..... | 3 |
| MAGNETO..... | 5 |
| AIR CLEANER, CARBURETOR..... | 7 |
| CARBURETOR..... | 9 |
| MUFFLER..... | 11 |
| RECOIL STARTER..... | 13 |
| HANDLE..... | 15 |
| CHAIN BRAKE..... | 17 |
| ACCESSORIES | 19 |
| OILER..... | 21 |
| GUIDE BAR, CHAIN..... | 23 |
| OPTION PARTS..... | 25 |

CYLINDER, PISTON, CRANKSHAFT



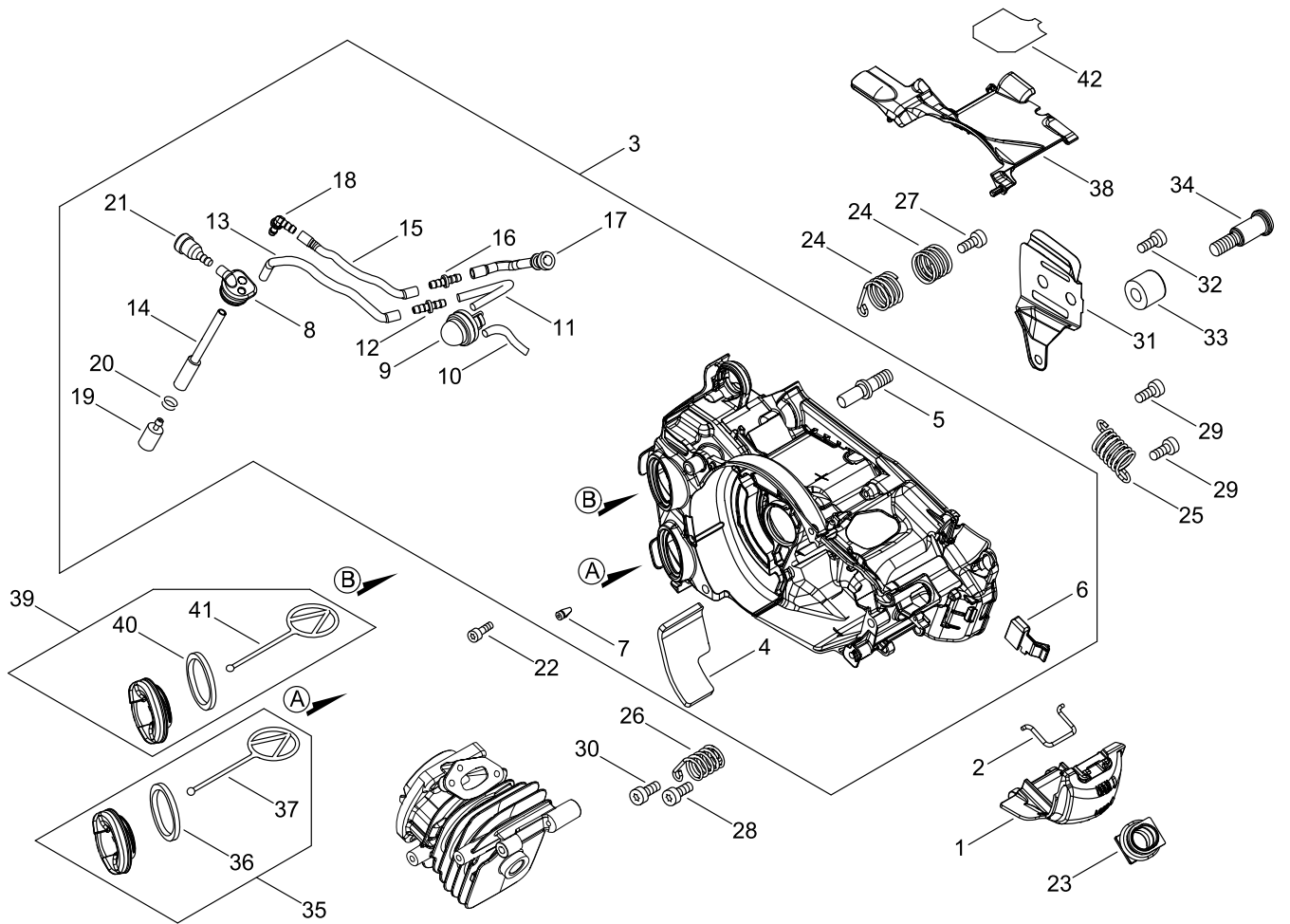
CYLINDER, PISTON, CRANKSHAFT

| Key No. | LV (+) | Parts Number | Parts Description | Qty | Standard | Class |
|---------|--------|--------------|---------------------|-----|---------------|-------|
| 1 | | A011-001440 | CRANKSHAFT,ASM | 1 | | D |
| 2 | | P021-050120 | PISTON KIT | 1 | | D |
| 3 | + | A101-000700 | RING, PISTON | 1 | 35*B1.2*T1.6 | B |
| 4 | + | V553-000020 | BEARING,NEEDLE 8 | 1 | KBK8X11X8.8X4 | B |
| 5 | + | 100014-55930 | SPACER, PISTON PIN | 2 | | C |
| 6 | + | V606-000020 | PIN,ENG 8 | 1 | 5.8*8*25.5 | D |
| 7 | + | 100015-04630 | CIRCLIP, PISTON PIN | 2 | | C |
| 8 | | P021-050130 | CRANKCASE SET | 1 | | D |
| 9 | + | 900800-36001 | BEARING, BALL | 2 | 6001 | |
| 10 | + | V505-000070 | OIL SEAL | 2 | | C |
| 11 | + | V102-000290 | GASKET,CRANKCASE | 1 | T0.3 | B |
| 12 | + | V804-000100 | BOLT, TORX 4 | 3 | TB-4*16 12.9 | C |
| 13 | | P021-051920 | CYLINDER | 1 | | D |
| 14 | | V100-000830 | GASKET,CYL | 1 | T0.5 | B |
| 15 | | V804-000100 | BOLT, TORX 4 | 4 | TB-4*16 12.9 | C |
| 16 | | C022-000211 | AUTO-OILER ASSEMBLY | 1 | OP-27C(B) | C |
| 17 | | V470-002171 | PIPE | 1 | | C |
| 18 | | V308-000030 | WASHER,CIRCULAR 11 | 1 | 10.5*17.4*1.8 | C |
| 19 | | V652-000230 | GEAR,WORM | 1 | | B |
| 20 | | V470-002200 | PIPE | 1 | | C |
| 21 | | P021-050140 | STRAINER, OIL ASY | 1 | | C |
| 22 | | V804-000050 | BOLT, TORX 4 | 2 | TB-4*12 10.9 | C |
| 23 | | C236-000150 | COVER,OILER | 1 | | D |

Class : Consumable class

A:Fast moving parts B:Semi-fast moving parts C:Slow moving parts D:Order only as needed

ENGINE COVER



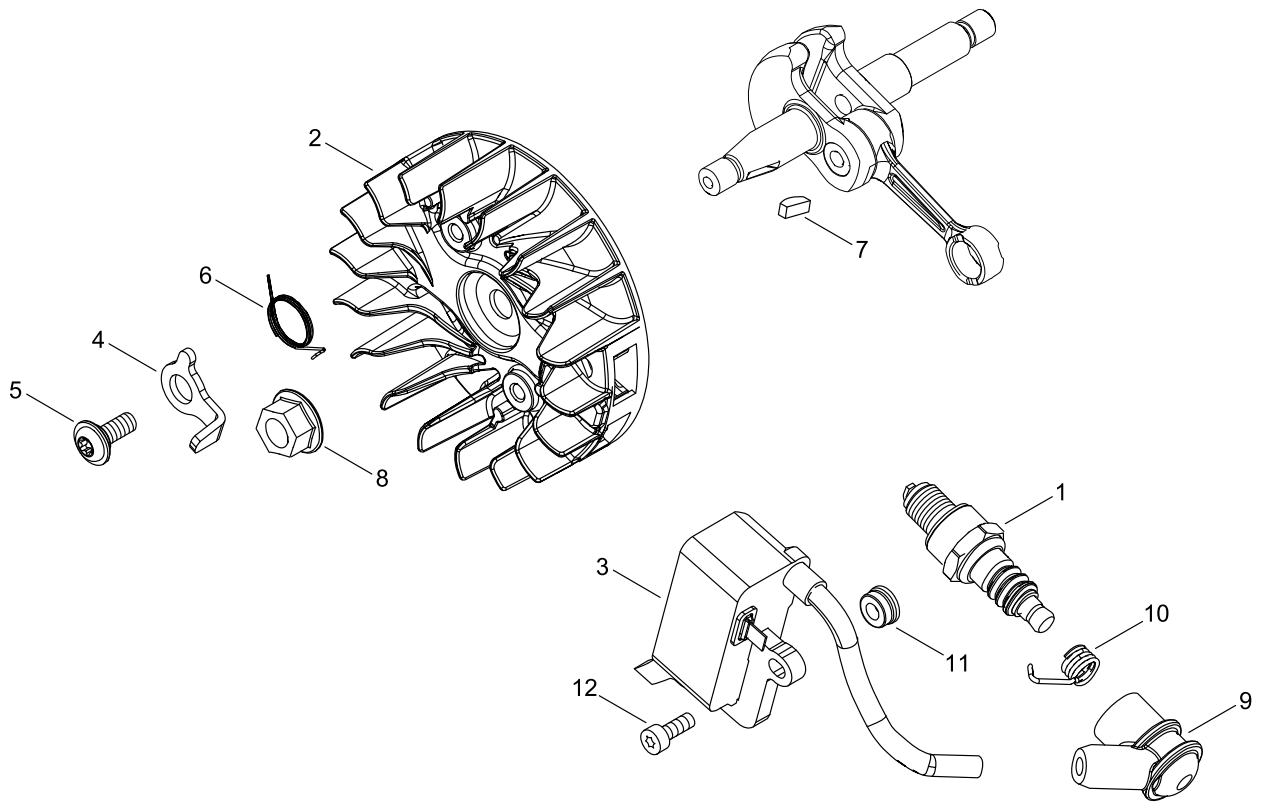
ENGINE COVER

| Key No. | LV (+) | Parts Number | Parts Description | Qty | Standard | Class |
|---------|--------|--------------|----------------------|-----|-----------------|-------|
| 1 | | A429-000200 | COVER,CAP | 1 | | C |
| 2 | | C649-000440 | HOOK | 1 | | D |
| 3 | | P100-004933 | COVER ENGINE ASY | 1 | | C |
| 4 | + | V341-000201 | WASHER,SQUARE | 1 | タック断熱 | C |
| 5 | + | V225-000262 | BOLT,STUD 8 | 1 | | C |
| 6 | + | A219-000071 | SHUTTER, AIR | 1 | | C |
| 7 | + | 436114-13930 | VALVE, CHECK | 1 | | B |
| 8 | + | V137-000140 | GROMMET,FUEL | 1 | | C |
| 9 | + | A035-000040 | PUMP, FUEL | 1 | 188-554-A | A |
| 10 | + | V470-002181 | PIPE | 1 | TO P_PUMP | C |
| 11 | + | V471-004871 | PIPE | 1 | 3*5*56.5L | C |
| 12 | + | V186-000020 | JOINT,PIPE | 1 | | C |
| 13 | + | V471-003661 | PIPE | 1 | 3*5*115 | C |
| 14 | + | V470-002210 | PIPE | 1 | | C |
| 15 | + | V471-003821 | PIPE | 1 | 3*5*95 | C |
| 16 | + | V186-000510 | JOINT,PIPE | 1 | | C |
| 17 | + | V470-002191 | PIPE | 1 | TO CARB | C |
| 18 | + | V186-000530 | JOINT,PIPE | 1 | | C |
| 19 | + | A369-000420 | STRAINER, FUEL | 1 | ES-16499 | A |
| 20 | + | V490-000500 | CLIP | 1 | | C |
| 21 | + | 131300-56431 | VENT ASSEMBLY, FUEL | 1 | | B |
| 22 | | V804-000100 | BOLT, TORX 4 | 3 | TB-4*16 12.9 | C |
| 23 | | A239-000110 | PIPE, INTAKE | 1 | | C |
| 24 | | V450-002050 | SPRING,COMPRESSION | 2 | | B |
| 25 | | V450-002060 | SPRING,COMPRESSION | 1 | | B |
| 26 | | V450-002070 | SPRING,COMPRESSION | 1 | | B |
| 27 | | V804-000000 | BOLT, TORX 4 | 1 | TT-4*12 DG 10.9 | C |
| 28 | | V804-000000 | BOLT, TORX 4 | 1 | TT-4*12 DG 10.9 | C |
| 29 | | V804-000000 | BOLT, TORX 4 | 2 | TT-4*12 DG 10.9 | C |
| 30 | | V804-000010 | BOLT, TORX 4 | 1 | TT-4*16 DG 10.9 | C |
| 31 | | C305-000511 | PLATE,SPROCKET GUARD | 1 | T0.3 | C |
| 32 | | V203-002280 | BOLT,5 | 1 | | C |
| 33 | | C310-000140 | CATCHER, CHAIN | 1 | | B |
| 34 | | V203-002260 | BOLT,5 | 1 | | C |
| 35 | | A033-000390 | OIL,CAP | 1 | | B |
| 36 | + | V107-000180 | GASKET,FUEL CAP | 1 | | A |
| 37 | + | A365-000050 | CONNECTOR,CAP | 1 | | B |
| 38 | | A127-000450 | COVER,DUST | 1 | | C |
| 39 | | A033-000410 | CAP,FUEL | 1 | | B |
| 40 | + | V107-000180 | GASKET,FUEL CAP | 1 | | A |
| 41 | + | A365-000050 | CONNECTOR,CAP | 1 | | B |
| 42 | | X505-010230 | LABEL,CAUTION | 1 | | D |

Class : Consumable class

A:Fast moving parts B:Semi-fast moving parts C:Slow moving parts D:Order only as needed

MAGNETO



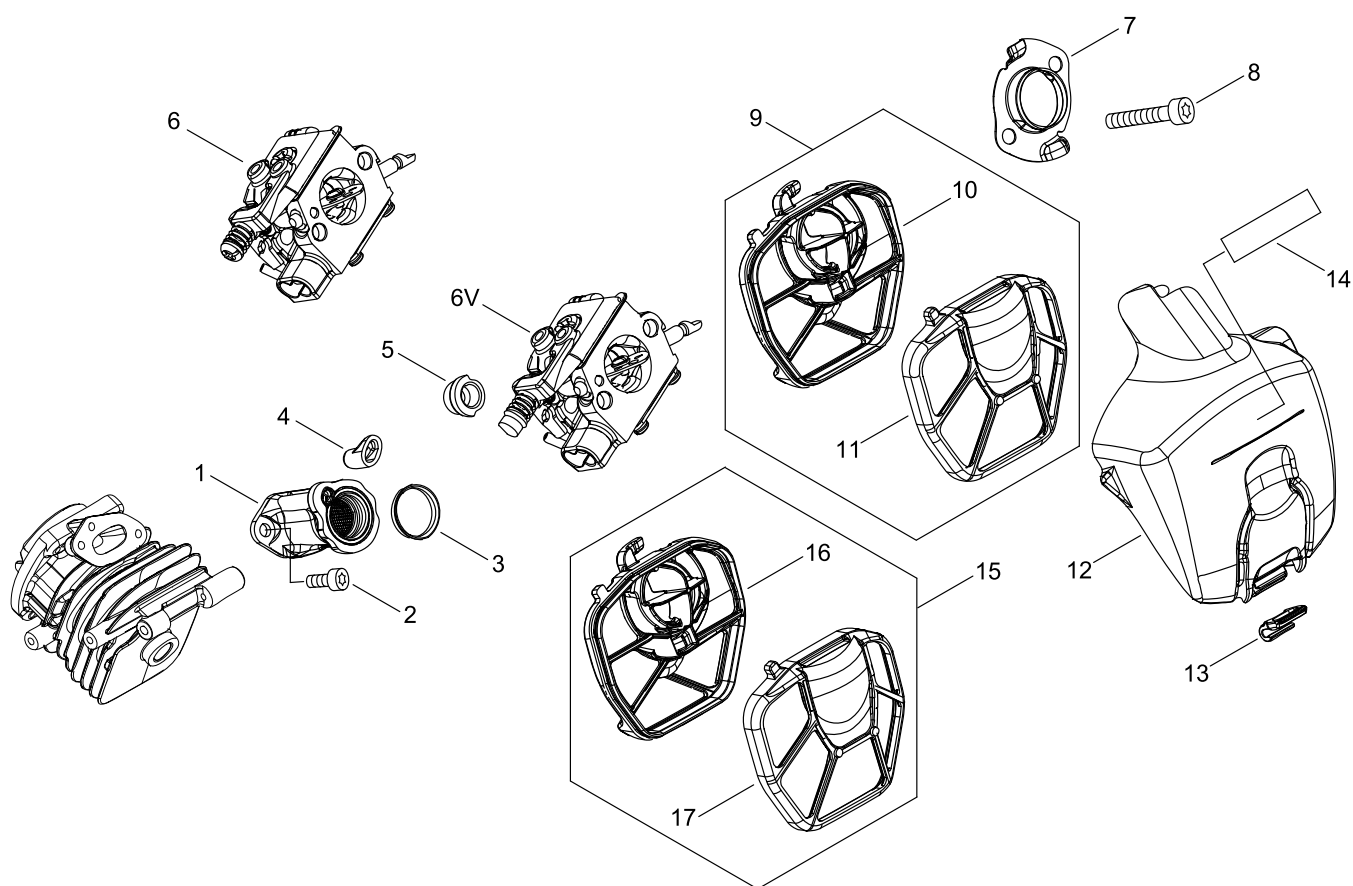
MAGNETO

| Key No. | LV (+) | Parts Number | Parts Description | Qty | Standard | Class |
|---------|--------|--------------|--------------------|-----|--------------|-------|
| 1 | | A425-000060 | SPARKPLUG | 1 | CMR7H | A |
| 2 | | A409-001300 | ROTOR, MAGNETO | 1 | | C |
| 3 | | P100-006570 | COIL, IGNITION | 1 | | C |
| 4 | | A514-000300 | PAWL | 2 | | C |
| 5 | | V203-002250 | BOLT,5 | 2 | | C |
| 6 | | V452-000030 | SPRING,TORSION | 2 | | B |
| 7 | | 100142-12330 | KEY, WOODRUFF | 1 | | C |
| 8 | | V265-000140 | NUT | 1 | | C |
| 9 | | A427-000190 | CAP,SPARK PLUG | 1 | | C |
| 10 | | A426-000010 | TERMINAL,SPARKPLUG | 1 | | C |
| 11 | | V352-000300 | COLLAR,4 | 2 | 4.5*8.3*4.6L | C |
| 12 | | V804-000060 | BOLT, TORX 4 | 2 | TB-4*16 10.9 | C |

Class : Consumable class

A:Fast moving parts B:Semi-fast moving parts C:Slow moving parts D:Order only as needed

AIR CLEANER, CARBURETOR



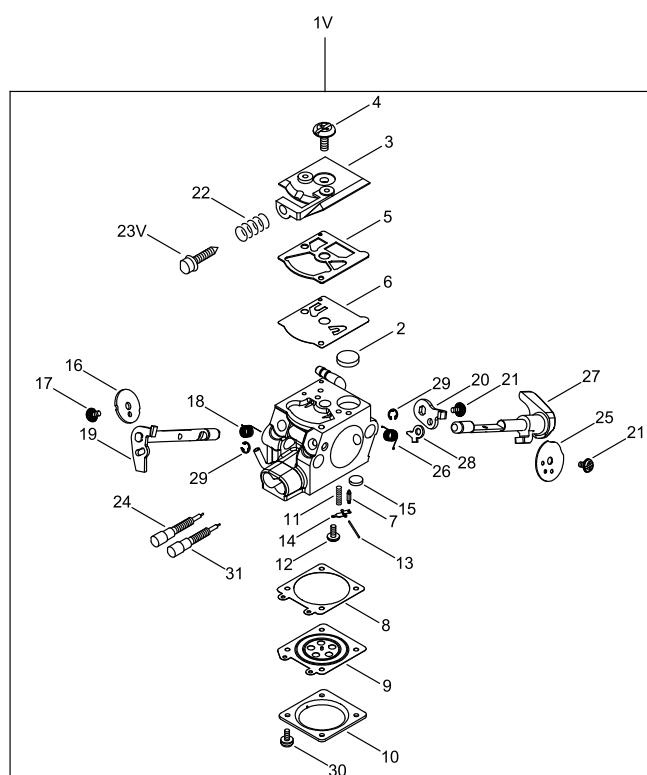
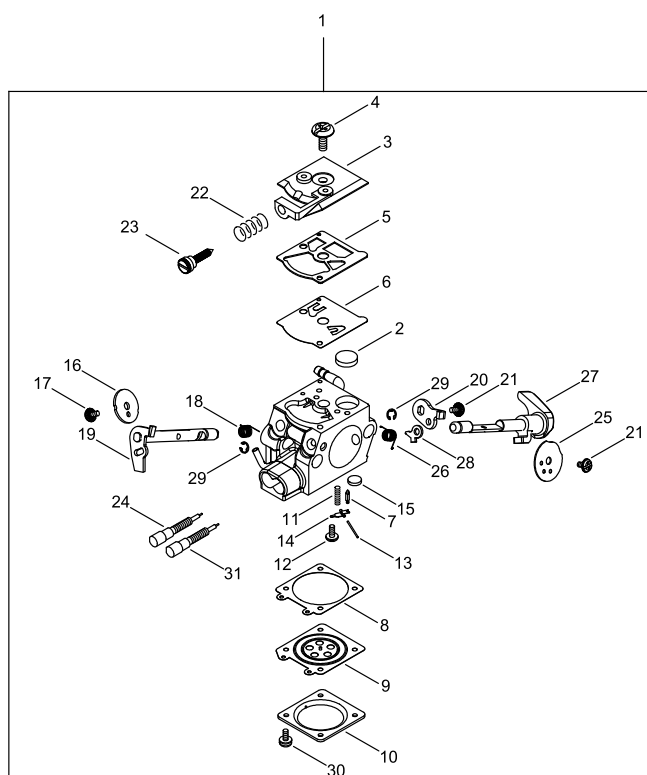
AIR CLEANER, CARBURETOR

| Key No. | LV (+) | Parts Number | Parts Description | Qty | Standard | Class |
|---------|--------|--------------|----------------------|-----|-----------------|-------|
| 1 | | A202-000290 | BELLOWS, INTAKE | 1 | | C |
| 2 | | V804-000040 | BOLT, TORX 4 | 2 | TB-4*10 10.9 | C |
| 3 | | V358-000220 | COLLAR,14 | 1 | 14*16*2.5 | C |
| 4 | | V351-000030 | COLLAR,3 | 1 | | C |
| 5 | | V162-000771 | PLUG | 2 | ヘッド留め穴 | C |
| 6 | | A021-004522 | CARBURETOR,DIAPHRAGM | 1 | WT-1153B(D CUT) | B |
| 6V | | A021-005160 | CARBURETOR,DIAPHRAGM | 1 | | B |
| 7 | | A204-000250 | ELBOW, CARBURETOR | 1 | T:0.5 | C |
| 8 | | V805-000070 | BOLT, TORX 5 | 2 | TB-5*40 10.9 | C |
| 9 | | A226-002140 | ELEMENT, AIR FILTER | 1 | NYLON MESH | A |
| 10 | + | A226-002120 | ELEMENT, AIR FILTER | 1 | | A |
| 11 | + | A226-002130 | ELEMENT, AIR FILTER | 1 | | A |
| 12 | | A232-001842 | LID,CLEANER | 1 | | C |
| 13 | | A235-000410 | KNOB,CLEANER LID | 1 | | C |
| 14 | | X503-014140 | LABEL,MODEL | 1 | CS-2511TES | D |
| 15 | | A226-001991 | ELEMENT, AIR FILTER | 1 | NON-WOVEN | A |
| 16 | + | A226-001970 | ELEMENT, AIR FILTER | 1 | | A |
| 17 | + | A226-001981 | ELEMENT, AIR FILTER | 1 | | A |

Class : Consumable class

A:Fast moving parts B:Semi-fast moving parts C:Slow moving parts D:Order only as needed

CARBURETOR



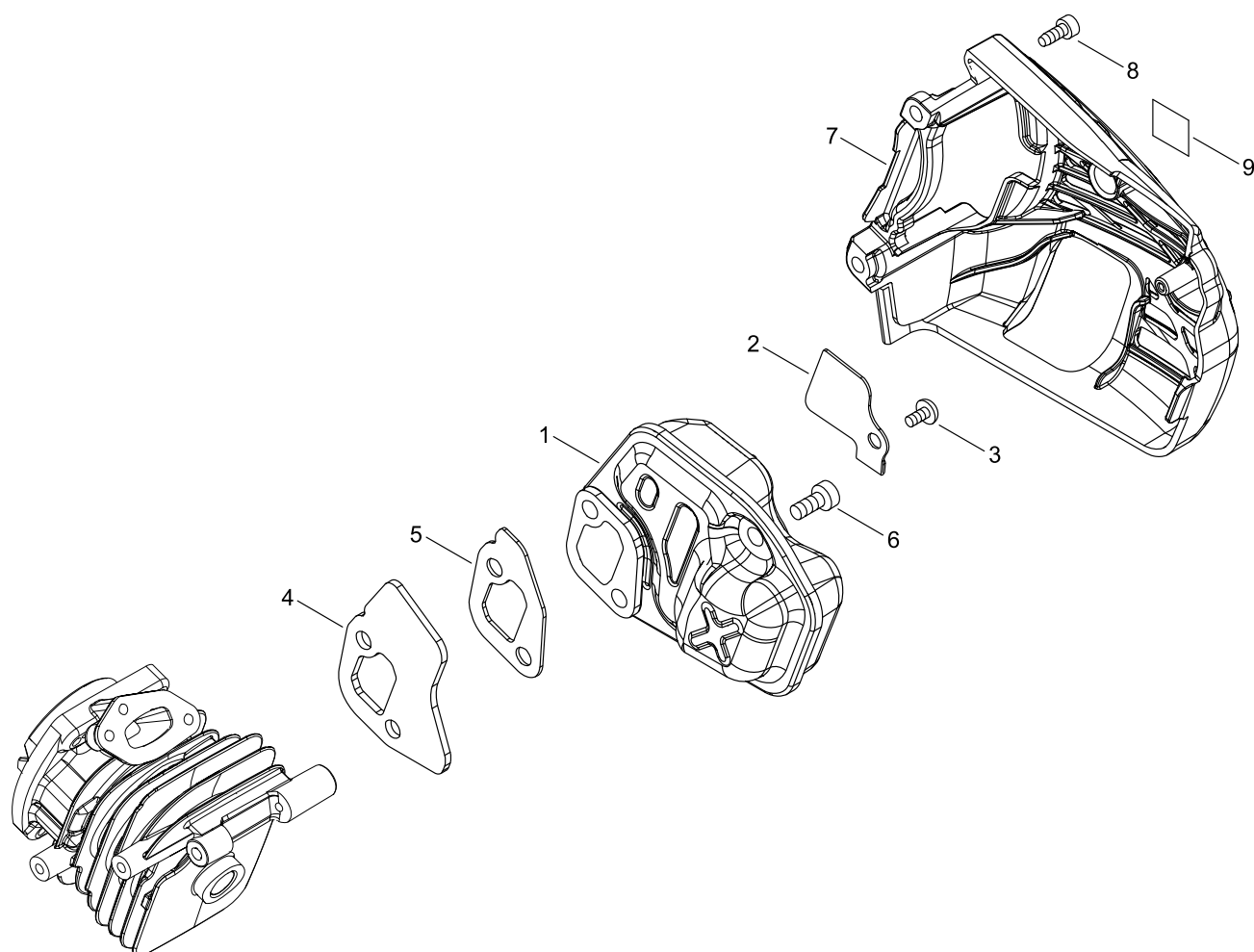
CARBURETOR

| Key No. | LV (+) | Parts Number | Parts Description | Qty | Standard | Class |
|---------|--------|--------------|----------------------|-----|-----------------|-------|
| 1 | | A021-004522 | CARBURETOR,DIAPHRAGM | 1 | WT-1153B(D CUT) | B |
| 1V | | A021-005160 | CARBURETOR,DIAPHRAGM | 1 | | B |
| 2 | + | 123126-10631 | SCREEN, INLET | 1 | | B |
| 3 | + | P003-005980 | COVER, FUEL PUMP | 1 | | D |
| 4 | + | 123110-03930 | SCREW, PUMP COVER | 1 | | D |
| 5 | + | 123125-15030 | GASKET, FUEL PUMP | 1 | | A |
| 6 | + | 123112-15030 | DIAPHRAGM, FUEL PUMP | 1 | | A |
| 7 | + | 123137-19830 | VALVE, INLET NEEDLE | 1 | | D |
| 8 | + | 123140-27230 | GASKET,M. DIAPHRAGM | 1 | | A |
| 9 | + | P003-001850 | DIAPHRAGM, METERING | 1 | | A |
| 10 | + | 123142-03930 | COVER, M. DIAPHRAGM | 1 | | D |
| 11 | + | 123122-39830 | SPRING, METER. LEVER | 1 | | D |
| 12 | + | P003-005400 | SCREW | 1 | | D |
| 13 | + | 123138-03930 | PIN, METERING LEVER | 1 | | D |
| 14 | + | 123123-03930 | LEVER, METERING | 1 | | D |
| 15 | + | 123146-10631 | PLUG, WELCH | 1 | | C |
| 16 | + | P003-005750 | VALVE, THROTTLE | 1 | | D |
| 17 | + | P003-002380 | SCREW | 1 | | D |
| 18 | + | 123113-37530 | SPRING, THROTTLE RTN | 1 | | B |
| 19 | + | P003-001300 | SHAFT, THROTTLE | 1 | | C |
| 20 | + | P003-000380 | THROTTLE, LEVER | 1 | | D |
| 21 | + | 123114-38830 | SCREW | 2 | | D |
| 22 | + | 123133-04260 | SPRING, IDLE ADJUST | 1 | | D |
| 23 | + | 123134-04260 | SCREW, IDLE ADJUST | 1 | | D |
| 23V | + | P003-006290 | SCREW, IDLE ADJUST | 1 | | D |
| 24 | + | P003-004190 | NEEDLE | 1 | | D |
| 25 | + | P003-000410 | VALVE CHOKE | 1 | | D |
| 26 | + | P003-004780 | SPRING | 1 | | D |
| 27 | + | P003-005760 | SHAFT-CHOKE | 1 | | D |
| 28 | + | P003-001510 | LEVER-FAST IDLE | 1 | | D |
| 29 | + | 123127-15030 | RING | 2 | | D |
| 30 | + | 123130-02960 | SCREW | 4 | | D |
| 31 | + | P003-004180 | NEEDLE | 1 | | D |

Class : Consumable class

A:Fast moving parts B:Semi-fast moving parts C:Slow moving parts D:Order only as needed

MUFFLER



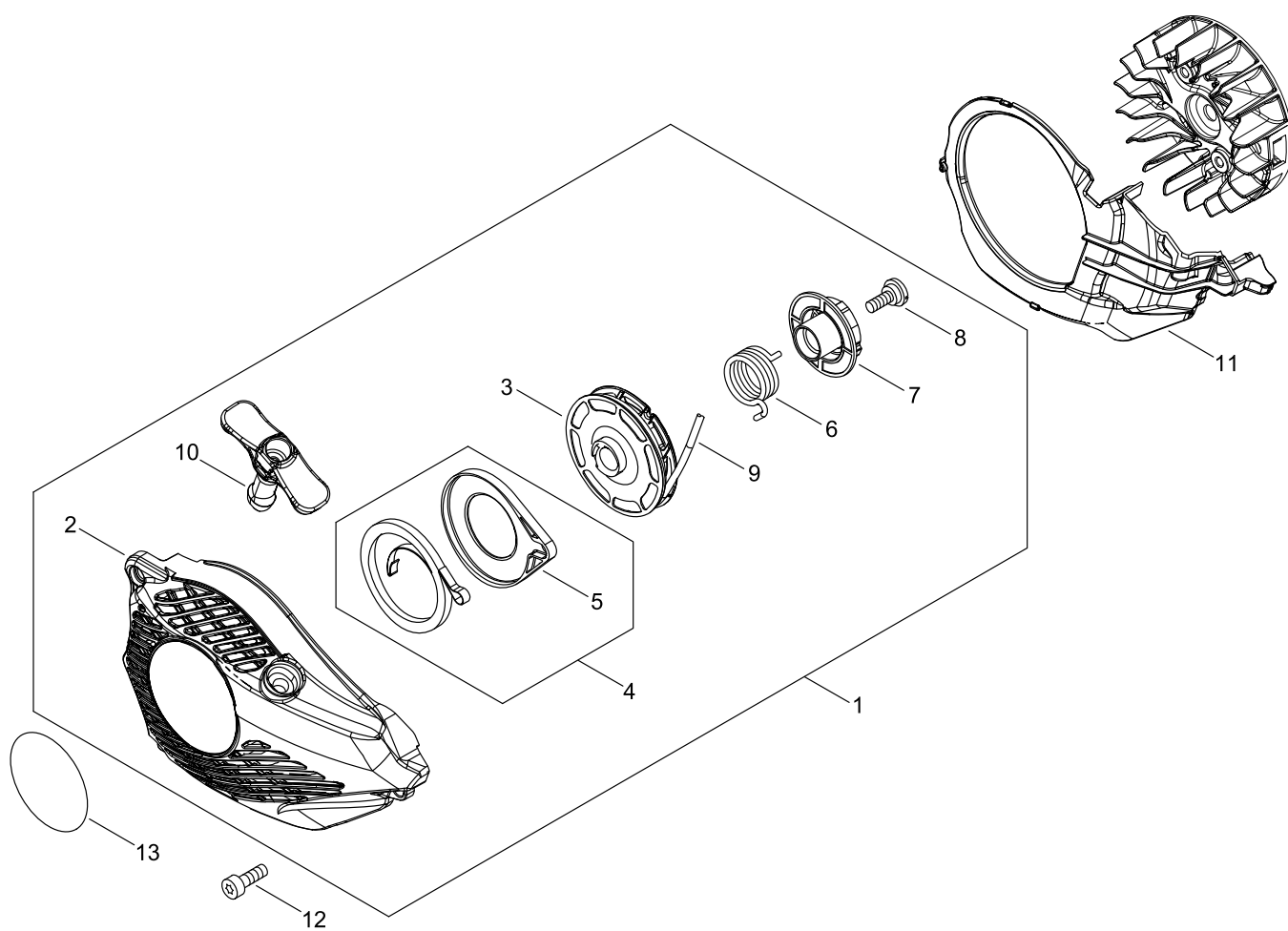
MUFFLER

| Key No. | LV (+) | Parts Number | Parts Description | Qty | Standard | Class |
|---------|--------|--------------|-------------------|-----|-----------------|-------|
| 1 | | A030-000880 | MUFFLER ASY | 1 | | B |
| 2 | | A310-000490 | SCREEN, ARRESTOR | 1 | | B |
| 3 | | 900216-04006 | SCREW | 1 | 4*6 | |
| 4 | | A312-000090 | PLATE, EXHUST | 1 | | C |
| 5 | | V104-002290 | GASKET,EXHAUST | 1 | | A |
| 6 | | V805-000150 | BOLT, TORX 5 | 3 | TB-5*16 10.9 | C |
| 7 | | A320-001210 | COVER,MUFFLER | 1 | FOR CAT MUF | C |
| 8 | | V804-000010 | BOLT, TORX 4 | 2 | TT-4*16 DG 10.9 | C |
| 9 | | X505-007710 | LABEL,CAUTION | 1 | | D |

Class : Consumable class

A:Fast moving parts B:Semi-fast moving parts C:Slow moving parts D:Order only as needed

RECOIL STARTER



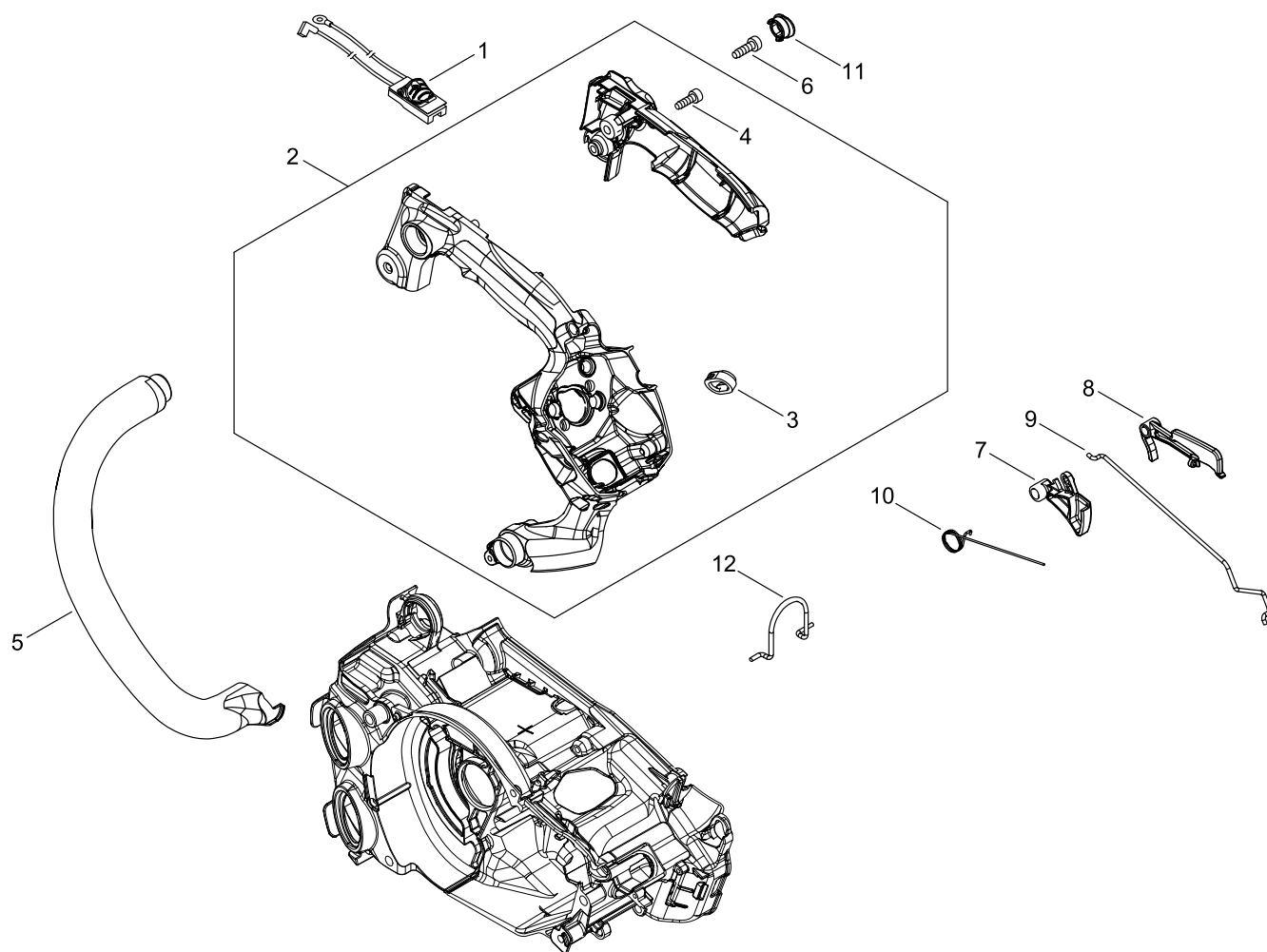
RECOIL STARTER

| Key No. | LV (+) | Parts Number | Parts Description | Qty | Standard | Class |
|---------|--------|--------------|--------------------|-----|--------------|-------|
| 1 | | A051-003132 | STARTER,RECOIL ASY | 1 | | B |
| 2 | + | P022-051080 | CASE,STARTER ASY | 1 | | C |
| 3 | + | P022-040050 | DRUM | 1 | | C |
| 4 | + | P022-040060 | SPRING KIT, REWIND | 1 | | B |
| 5 | ++ | P022-040070 | SPRING CASE | 1 | | C |
| 6 | + | P022-036670 | SPRING,DAMPER | 1 | | C |
| 7 | + | P022-040080 | PLATE, CAM | 1 | | C |
| 8 | + | 177236-61830 | SCREW | 1 | | |
| 9 | + | P022-040090 | ROPE, STARTER | 1 | 3*700 | B |
| 10 | + | P022-048980 | GRIP, STARTER | 1 | | C |
| 11 | | A172-003200 | COVER,FAN | 1 | | C |
| 12 | | V804-000060 | BOLT, TORX 4 | 3 | TB-4*16 10.9 | C |
| 13 | | X502-001110 | LABEL,ECHO | 1 | ECHO XSERIES | D |

Class : Consumable class

A:Fast moving parts B:Semi-fast moving parts C:Slow moving parts D:Order only as needed

HANDLE



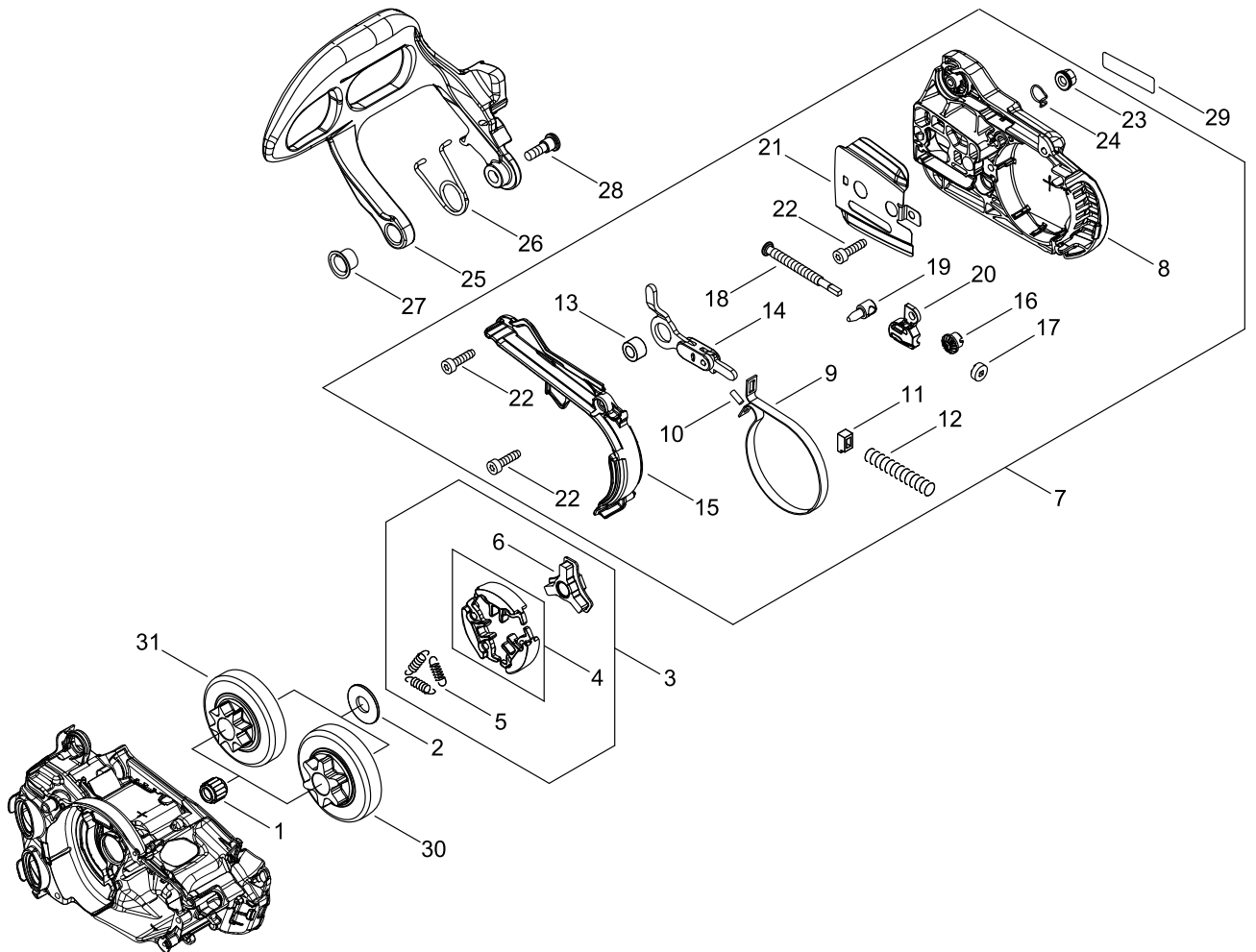
HANDLE

| Key No. | LV (+) | Parts Number | Parts Description | Qty | Standard | Class |
|---------|--------|--------------|-------------------|-----|-----------------|-------|
| 1 | | A440-002741 | SWITCH,ON OFF | 1 | | C |
| 2 | | P100-002151 | HANDLE SET, REAR | 1 | | C |
| 3 | + | V131-000220 | GROMMET,NEEDLE | 1 | | C |
| 4 | + | V804-000010 | BOLT, TORX 4 | 1 | TT-4*16 DG 10.9 | C |
| 5 | | C400-001550 | HANDLE, FRONT | 1 | | C |
| 6 | | V805-000000 | BOLT, TORX 5 | 1 | TT-5*16 DG 10.9 | C |
| 7 | | C450-000951 | CONTROL, THROTTLE | 1 | | C |
| 8 | | C460-000590 | LOCKOUT, THROTTLE | 1 | | C |
| 9 | | C454-000540 | ROD, THROTTLE | 1 | | C |
| 10 | | V452-001650 | SPRING,TORSION | 1 | | B |
| 11 | | V162-000760 | PLUG | 1 | | C |
| 12 | | C646-000132 | RING,HARNESS | 1 | | C |

Class : Consumable class

A:Fast moving parts B:Semi-fast moving parts C:Slow moving parts D:Order only as needed

CHAIN BRAKE



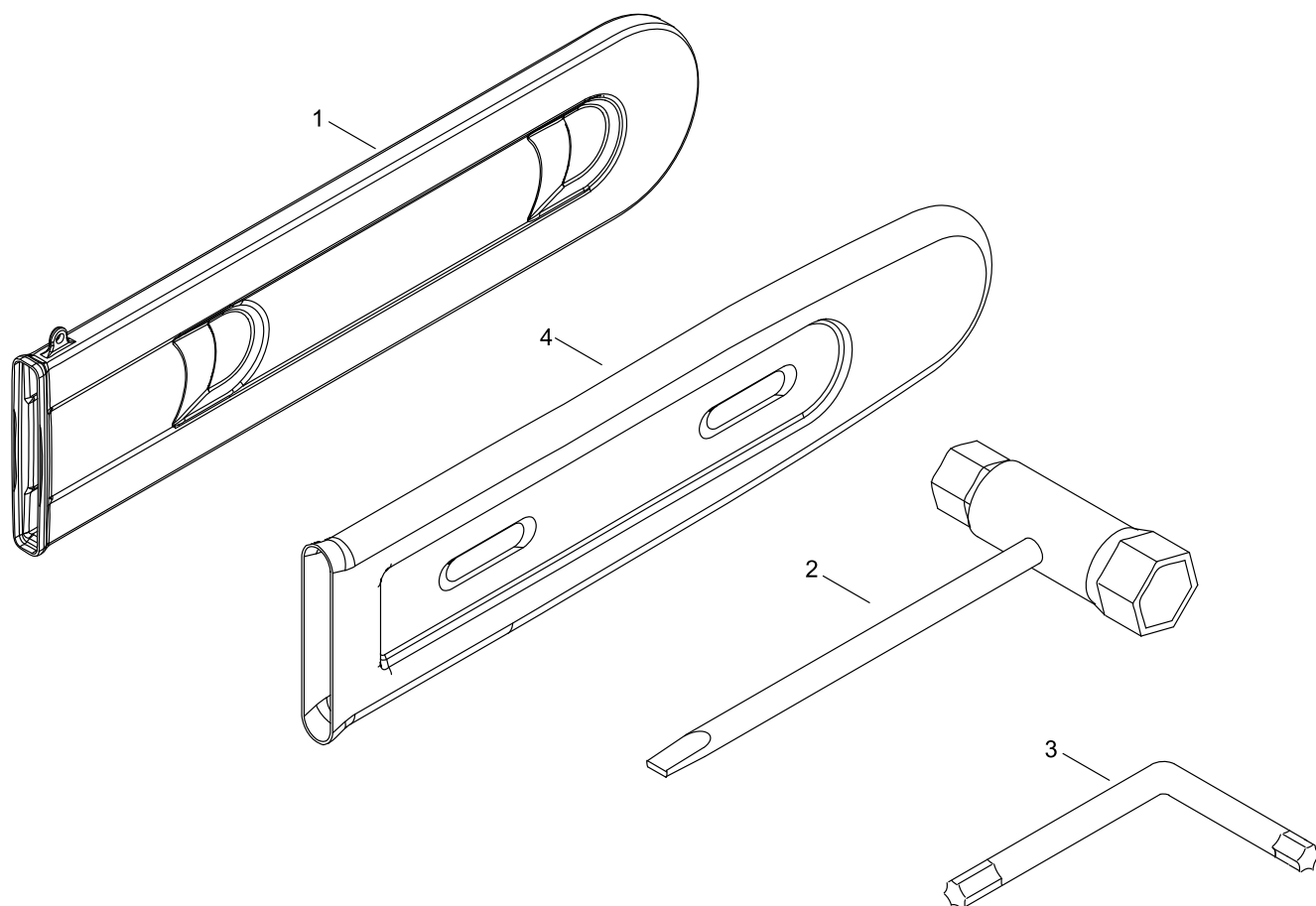
CHAIN BRAKE

| Key No. | LV (+) | Parts Number | Parts Description | Qty | Standard | Class |
|---------|--------|--------------|----------------------|-----|-----------------|-------|
| 1 | | V555-000190 | BEARING,NEEDLE 10 | 1 | 10*13*9.8 | B |
| 2 | | A551-000170 | PLATE, CLUTCH | 1 | | C |
| 3 | | A056-000830 | CLUTCH ASY | 1 | | B |
| 4 | | P100-004180 | CLUTCH SHOE SET | 1 | | B |
| 5 | + | A566-000290 | SPRING, CLUTCH | 3 | | B |
| 6 | + | A552-000430 | HUB, CLUTCH | 1 | | B |
| 7 | | P100-002170 | GUARD, SPROCKET ASY | 1 | | C |
| 8 | + | C300-001140 | GUARD, SPROCKET | 1 | | C |
| 9 | + | C328-000330 | BAND, BRAKE | 1 | | C |
| 10 | + | 93050-30080 | ROLLER | 1 | | C |
| 11 | + | V376-000450 | SPACER | 1 | | C |
| 12 | + | V450-002080 | SPRING,COMPRESSION | 1 | | B |
| 13 | + | V355-000860 | COLLAR,8 | 1 | | C |
| 14 | + | C334-000340 | CONNECTOR, BRAKE | 1 | | C |
| 15 | + | C345-000640 | COVER,BRAKE | 1 | | C |
| 16 | + | V651-001060 | GEAR,BEVEL | 1 | | D |
| 17 | + | V651-000011 | GEAR,BEVEL | 1 | | D |
| 18 | + | V203-000041 | BOLT,5 | 1 | | C |
| 19 | + | C309-000110 | TENSIONER,CHAIN | 1 | | C |
| 20 | + | V355-000840 | COLLAR,8 | 1 | | C |
| 21 | + | C305-000521 | PLATE,SPROCKET GUARD | 1 | T0.3 | C |
| 22 | + | V804-000000 | BOLT, TORX 4 | 3 | TT-4*12 DG 10.9 | C |
| 23 | + | V265-000550 | NUT,8 | 1 | | C |
| 24 | + | C649-000420 | HOOK | 1 | | D |
| 25 | | C320-000510 | LEVER, BRAKE | 1 | | C |
| 26 | | V452-001660 | SPRING,TORSION | 1 | | B |
| 27 | | V356-000780 | COLLAR,10 | 1 | | C |
| 28 | | V203-002270 | BOLT,5 | 1 | | C |
| 29 | | X502-000340 | LABEL,ECHO | 1 | ECHO(WHITE) | D |
| 30 | | A556-001710 | DRUM, CLUTCH | 1 | 1/4 | B |
| 31 | | A556-001720 | DRUM, CLUTCH | 1 | 3/8 | B |

Class : Consumable class

A:Fast moving parts B:Semi-fast moving parts C:Slow moving parts D:Order only as needed

ACCESSORIES



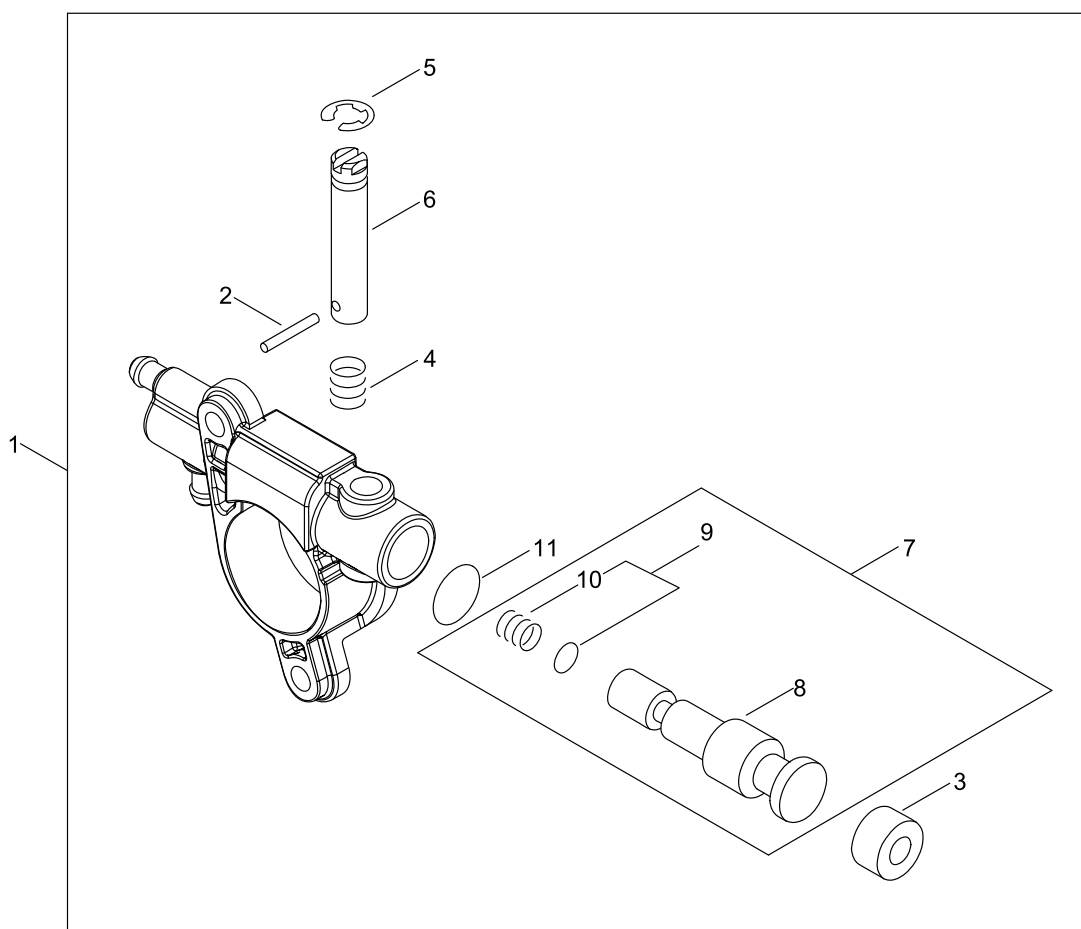
ACCESSORIES

| Key No. | LV (+) | Parts Number | Parts Description | Qty | Standard | Class |
|---------|--------|--------------|-------------------|-----|------------|-------|
| 1 | | X490-000840 | SCABBARD,CHAIN | 1 | 260 | D |
| 2 | | X602-000160 | PLUG WRENCH | 1 | | D |
| 3 | | X605-000190 | TOOL,L WRENCH | 1 | T27 120*80 | D |
| 4 | | X490-000920 | SCABBARD,CHAIN | 1 | | D |

Class : Consumable class

A:Fast moving parts B:Semi-fast moving parts C:Slow moving parts D:Order only as needed

OILER





OILER

| Key No. | LV (+) | Parts Number | Parts Description | Qty | Standard | Class |
|---------|--------|--------------|---------------------|-----|-----------|-------|
| 1 | | C022-000211 | AUTO-OILER ASSEMBLY | 1 | OP-27C(B) | C |
| 2 | + | P003-002180 | PIN, SPRING | 1 | | D |
| 3 | + | 437062-38330 | CAP, OIL PUMP | 1 | | D |
| 4 | + | 437015-37330 | SPRING | 1 | | D |
| 5 | + | 123127-15030 | RING | 1 | | D |
| 6 | + | P003-005430 | NEEDLE-ADJ | 1 | | D |
| 7 | + | P200-000390 | PLUNGER SHAFT KIT | 1 | | D |
| 8 | ++ | P003-005990 | SHAFT ASY-PLUNGER | 1 | | D |
| 9 | ++ | P200-000490 | SPRING WASHER KIT | 1 | | D |
| 10 | +++ | P003-006000 | SPRING | 1 | | D |
| 11 | + | P003-005420 | WASHER | 1 | | D |

Class : Consumable class

A:Fast moving parts B:Semi-fast moving parts C:Slow moving parts D:Order only as needed

GUIDE BAR, CHAIN

| Pitch ピッチ | Gauge ゲージ | Length 長さ | Guide Bar ガイドバー | | Saw Chain ソーチェン | | Hard Nose ハード ノーズ  | Sprocket Nose スプロケット ノーズ  |
|--------------|---------------|--------------|--------------------|-----------------|--------------------|------------|---|--|
| | | | Key № | Type 形式 | Key № | Type 形式 | | |
| 1/4 6.35 | 0.043 1.09 | 20 | A1 | C20HA4-52CL- ED | A2 | A4S-52E | ● | |
| 1/4 6.35 | 0.043 1.09 | 25 | B1 | C25HA4-60CL- ED | B2 | A4S-60E | ● | |
| 1/4 6.35 | 0.050 1.27 | 25 | C1 | C25H25-60CLD ED | C2 | 25AP-60E | ● | |
| 3/8 9.53 | 0.050 1.27 | 25 | D1 | C25S91-40SL- ET | D2 | 91PX-40E | | ● |
| 3/8 9.53 | 0.050 1.27 | 30 | E1 | C30S91-47ML-EC | E2 | 91PX-47E | | ● |

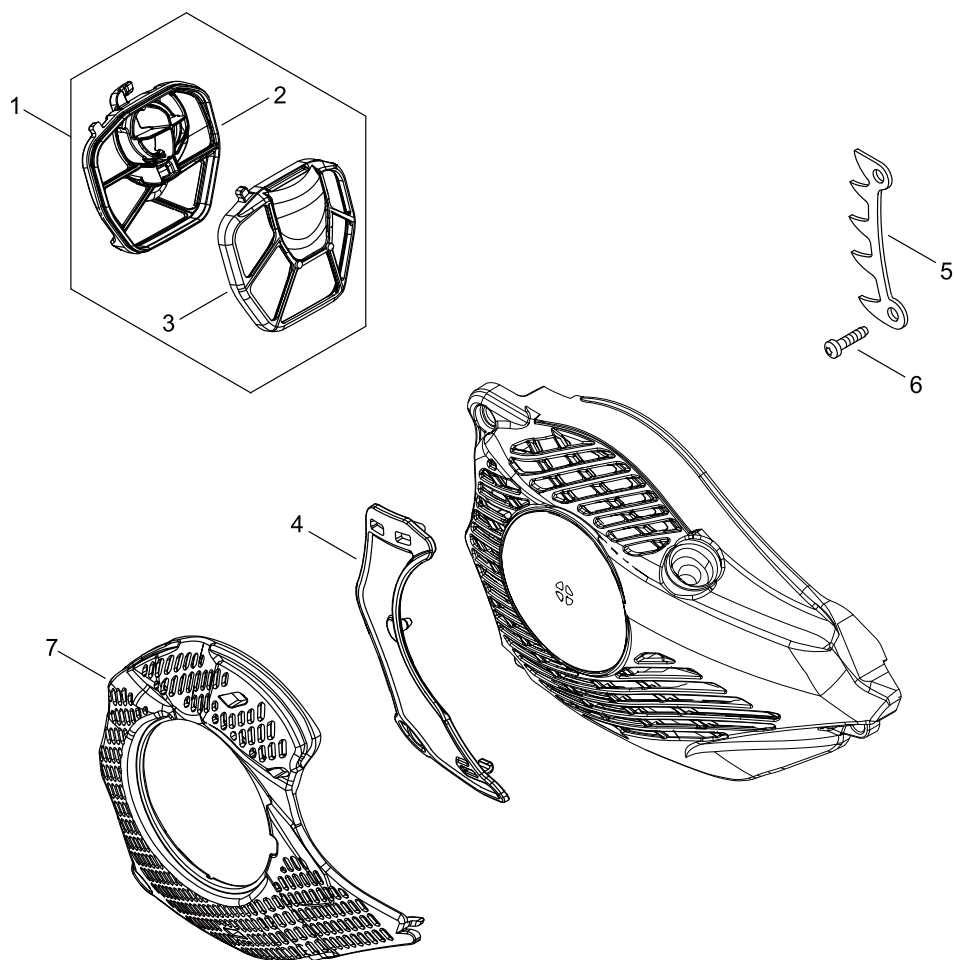
GUIDE BAR, CHAIN

| Key No. | LV (+) | Parts Number | Parts Description | Qty | Standard | Class |
|---------|--------|--------------|---------------------|-----|-----------------|-------|
| A1 | | X100-000070 | BAR,GUIDE 20 | 1 | C20HA4-52CL- ED | A |
| A2 | | X200-000020 | CHAIN,SAW | 1 | A4S-52E ECHO | A |
| B1 | | X101-000210 | BAR,GUIDE 25 | 1 | C25HA4-60CL- ED | A |
| B2 | | X201-000020 | CHAIN,SAW | 1 | A4S-60E ECHO | A |
| C1 | | X101-000200 | BAR,GUIDE 25 | 1 | C25H25-60CLD ED | A |
| C2 | | 431610-10030 | CHAIN, SAW 25AP-60E | 1 | 25AP-60E | A |
| D1 | | X121-000003 | BAR,GUIDE 25 | 1 | C25S91-40SL- ET | A |
| D2 | | X221-000100 | CHAIN,SAW | 1 | 91PX-40E | A |
| E1 | | X122-000341 | BAR,GUIDE 30 | 1 | C30S91-47ML- EC | A |
| E2 | | X222-000140 | CHAIN,SAW | 1 | 91PX-47E | A |

Class : Consumable class

A:Fast moving parts B:Semi-fast moving parts C:Slow moving parts D:Order only as needed

OPTION PARTS



OPTION PARTS

| Key No. | LV (+) | Parts Number | Parts Description | Qty | Standard | Class |
|---------|--------|--------------|---------------------|-----|-----------------|-------|
| 1 | | A226-001991 | ELEMENT, AIR FILTER | 1 | NON-WOVEN | A |
| 2 | + | A226-001970 | ELEMENT, AIR FILTER | 1 | | A |
| 3 | + | A226-001981 | ELEMENT, AIR FILTER | 1 | | A |
| 4 | | C418-000150 | SHIELD, SNOW | 1 | | C |
| 5 | | C304-000000 | SPIKE | 1 | | C |
| 6 | | V805-000240 | BOLT, TORX 5 | 2 | TT-5*12 DG 10.9 | C |
| 7 | | A127-000480 | COVER,DUST | 1 | | C |

Class : Consumable class

A:Fast moving parts B:Semi-fast moving parts C:Slow moving parts D:Order only as needed

NUMERICAL PARTS INDEX

| Part No | Part description | Page | Part No | Part description | Page | Part No | Part description | Page |
|--------------|-----------------------|------|-------------|----------------------|------|-------------|---------------------|------|
| 100014-55930 | SPACER, PISTON PIN | 2 | A127-000480 | COVER,DUST | 26 | C328-000330 | BAND, BRAKE | 18 |
| 100015-04630 | CIRCLIP, PISTON PIN | 2 | A172-003200 | COVER,FAN | 14 | C334-000340 | CONNECTOR, BRAKE | 18 |
| 100142-12330 | KEY, WOODRUFF | 6 | A202-000290 | BELLOWS, INTAKE | 8 | C345-000640 | COVER,BRAKE | 18 |
| 123110-03930 | SCREW, PUMP COVER | 10 | A204-000250 | ELBOW, CARBURETOR | 8 | C400-001550 | HANDLE, FRONT | 16 |
| 123112-15030 | DIAPHRAGM, FUEL PUMP | 10 | A219-000071 | SHUTTER, AIR | 4 | C418-000150 | SHIELD, SNOW | 26 |
| 123113-37530 | SPRING, THROTTLE RTN | 10 | A226-001970 | ELEMENT, AIR FILTER | 8 | C450-000951 | CONTROL, THROTTLE | 16 |
| 123114-38830 | SCREW | 10 | A226-001970 | ELEMENT, AIR FILTER | 26 | C454-000540 | ROD, THROTTLE | 16 |
| 123122-39830 | SPRING, METER. LEVER | 10 | A226-001981 | ELEMENT, AIR FILTER | 8 | C460-000590 | LOCKOUT, THROTTLE | 16 |
| 123123-03930 | LEVER, METERING | 10 | A226-001981 | ELEMENT, AIR FILTER | 26 | C646-000132 | RING,HARNES | 16 |
| 123125-15030 | GASKET, FUEL PUMP | 10 | A226-001991 | ELEMENT, AIR FILTER | 8 | C649-000420 | HOOK | 18 |
| 123126-10631 | SCREEN, INLET | 10 | A226-001991 | ELEMENT, AIR FILTER | 26 | C649-000440 | HOOK | 4 |
| 123127-15030 | RING | 10 | A226-002120 | ELEMENT, AIR FILTER | 8 | P003-000380 | THROTTLE, LEVER | 10 |
| 123127-15030 | RING | 22 | A226-002130 | ELEMENT, AIR FILTER | 8 | P003-000410 | VALVE CHOKE | 10 |
| 123130-02960 | SCREW | 10 | A226-002140 | ELEMENT, AIR FILTER | 8 | P003-001300 | SHAFT, THROTTLE | 10 |
| 123133-04260 | SPRING, IDLE ADJUST | 10 | A232-001842 | LID,CLEANER | 8 | P003-001510 | LEVER-FAST IDLE | 10 |
| 123134-04260 | SCREW, IDLE ADJUST | 10 | A235-000410 | KNOB,CLEANER LID | 8 | P003-001850 | DIAPHRAGM, METERING | 10 |
| 123137-19830 | VALVE, INLET NEEDLE | 10 | A239-000110 | PIPE, INTAKE | 4 | P003-002180 | PIN, SPRING | 22 |
| 123138-03930 | PIN, METERING LEVER | 10 | A310-000490 | SCREEN, ARRESTOR | 12 | P003-002380 | SCREW | 10 |
| 123140-27230 | GASKET,M. DIAPHRAGM | 10 | A312-000090 | PLATE, EXHUST | 12 | P003-004180 | NEEDLE | 10 |
| 123142-03930 | COVER, M. DIAPHRAGM | 10 | A320-001210 | COVER,MUFFLER | 12 | P003-004190 | NEEDLE | 10 |
| 123146-10631 | PLUG, WELCH | 10 | A365-000050 | CONNECTOR,CAP | 4 | P003-004780 | SPRING | 10 |
| 131300-56431 | VENT ASSEMBLY, FUEL | 4 | A369-000420 | STRAINER, FUEL | 4 | P003-005400 | SCREW | 10 |
| 177236-61830 | SCREW | 14 | A409-001300 | ROTOR, MAGNETO | 6 | P003-005420 | WASHER | 22 |
| 431610-10030 | CHAIN, SAW 25AP-60E | 24 | A425-000060 | SPARKPLUG | 6 | P003-005430 | NEEDLE-ADJ | 22 |
| 436114-13930 | VALVE, CHECK | 4 | A426-000010 | TERMINAL,SPARKPLUG | 6 | P003-005750 | VALVE, THROTTLE | 10 |
| 437015-37330 | SPRING | 22 | A427-000190 | CAP,SPARK PLUG | 6 | P003-005760 | SHAFT-CHOKE | 10 |
| 437062-38330 | CAP, OIL PUMP | 22 | A429-000200 | COVER,CAP | 4 | P003-005980 | COVER, FUEL PUMP | 10 |
| 900216-04006 | SCREW | 12 | A440-002741 | SWITCH,ON OFF | 16 | P003-005990 | SHAFT ASY-PLUNGER | 22 |
| 900800-36001 | BEARING, BALL | 2 | A514-000300 | PAWL | 6 | P003-006000 | SPRING | 22 |
| 93050-30080 | ROLLER | 18 | A551-000170 | PLATE, CLUTCH | 18 | P003-006290 | SCREW, IDLE ADJUST | 10 |
| A011-001440 | CRANKSHAFT,ASM | 2 | A552-000430 | HUB, CLUTCH | 18 | P021-050120 | PISTON KIT | 2 |
| A021-004522 | CARBURETOR, DIAPHRAGM | 8 | A556-001710 | DRUM, CLUTCH | 18 | P021-050130 | CRANKCASE SET | 2 |
| A021-004522 | CARBURETOR, DIAPHRAGM | 10 | A556-001720 | DRUM, CLUTCH | 18 | P021-050140 | STRAINER, OIL ASY | 2 |
| A021-005160 | CARBURETOR, DIAPHRAGM | 8 | A566-000290 | SPRING, CLUTCH | 18 | P021-051920 | CYLINDER | 2 |
| A021-005160 | CARBURETOR, DIAPHRAGM | 10 | C022-000211 | AUTO-OILER ASSEMBLY | 2 | P022-036670 | SPRING,DAMPER | 14 |
| A030-000880 | MUFFLER ASY | 12 | C022-000211 | AUTO-OILER ASSEMBLY | 22 | P022-040050 | DRUM | 14 |
| A033-000390 | OIL,CAP | 4 | C236-000150 | COVER,OILER | 2 | P022-040060 | SPRING KIT, REWIND | 14 |
| A033-000410 | CAP,FUEL | 4 | C300-001140 | GUARD, SPROCKET | 18 | P022-040070 | SPRING CASE | 14 |
| A035-000040 | PUMP, FUEL | 4 | C304-000000 | SPIKE | 26 | P022-040080 | PLATE, CAM | 14 |
| A051-003132 | STARTER,RECOIL ASY | 14 | C305-000511 | PLATE,SPROCKET GUARD | 4 | P022-040090 | ROPE, STARTER | 14 |
| A056-000830 | CLUTCH ASY | 18 | C305-000511 | PLATE,SPROCKET GUARD | 18 | P022-048980 | GRIP, STARTER | 14 |
| A101-000700 | RING, PISTON | 2 | C305-000521 | PLATE,SPROCKET GUARD | 18 | P022-051080 | CASE,STARTER ASY | 14 |
| A127-000450 | COVER,DUST | 4 | C309-000110 | TENSIONER,CHAIN | 18 | P100-002151 | HANDLE SET, REAR | 16 |
| | | | C310-000140 | CATCHER, CHAIN | 4 | P100-002170 | GUARD, SPROCKET ASY | 18 |
| | | | C320-000510 | LEVER, BRAKE | 18 | P100-004180 | CLUTCH SHOE SET | 18 |

NUMERICAL PARTS INDEX

| Part No | Part description | Page | Part No | Part description | Page |
|-------------|--------------------|------|-------------|-------------------|------|
| P100-004933 | COVER ENGINE ASY | 4 | V471-003821 | PIPE | 4 |
| P100-006570 | COIL, IGNITION | 6 | V471-004871 | PIPE | 4 |
| P200-000390 | PLUNGER SHAFT KIT | 22 | V490-000500 | CLIP | 4 |
| P200-000490 | SPRING WASHER KIT | 22 | V505-000070 | OIL SEAL | 2 |
| V100-000830 | GASKET,CYL | 2 | V553-000020 | BEARING,NEEDLE 8 | 2 |
| V102-000290 | GASKET,CRANKCASE | 2 | V555-000190 | BEARING,NEEDLE 10 | 18 |
| V104-002290 | GASKET,EXHAUST | 12 | V606-000020 | PIN,ENG 8 | 2 |
| V107-000180 | GASKET,FUEL CAP | 4 | V651-000011 | GEAR,BEVEL | 18 |
| V131-000220 | GROMMET,NEEDLE | 16 | V651-001060 | GEAR,BEVEL | 18 |
| V137-000140 | GROMMET,FUEL | 4 | V652-000230 | GEAR,WORM | 2 |
| V162-000760 | PLUG | 16 | V804-000000 | BOLT, TORX 4 | 4 |
| V162-000771 | PLUG | 8 | V804-000000 | BOLT, TORX 4 | 18 |
| V186-000020 | JOINT,PIPE | 4 | V804-000010 | BOLT, TORX 4 | 4 |
| V186-000510 | JOINT,PIPE | 4 | V804-000010 | BOLT, TORX 4 | 12 |
| V186-000530 | JOINT,PIPE | 4 | V804-000010 | BOLT, TORX 4 | 16 |
| V203-000041 | BOLT,5 | 18 | V804-000040 | BOLT, TORX 4 | 8 |
| V203-002250 | BOLT,5 | 6 | V804-000050 | BOLT, TORX 4 | 2 |
| V203-002260 | BOLT,5 | 4 | V804-000060 | BOLT, TORX 4 | 6 |
| V203-002270 | BOLT,5 | 18 | V804-000060 | BOLT, TORX 4 | 14 |
| V203-002280 | BOLT,5 | 4 | V804-000100 | BOLT, TORX 4 | 2 |
| V225-000262 | BOLT,STUD 8 | 4 | V804-000100 | BOLT, TORX 4 | 4 |
| V265-000140 | NUT | 6 | V805-000000 | BOLT, TORX 5 | 16 |
| V265-000550 | NUT,8 | 18 | V805-000070 | BOLT, TORX 5 | 8 |
| V308-000030 | WASHER,CIRCULAR 11 | 2 | V805-000150 | BOLT, TORX 5 | 12 |
| V341-000201 | WASHER,SQUARE | 4 | V805-000240 | BOLT, TORX 5 | 26 |
| V351-000030 | COLLAR,3 | 8 | X100-000070 | BAR,GUIDE 20 | 24 |
| V352-000300 | COLLAR,4 | 6 | X101-000200 | BAR,GUIDE 25 | 24 |
| V355-000840 | COLLAR,8 | 18 | X101-000210 | BAR,GUIDE 25 | 24 |
| V355-000860 | COLLAR,8 | 18 | X121-000003 | BAR,GUIDE 25 | 24 |
| V356-000780 | COLLAR,10 | 18 | X122-000341 | BAR,GUIDE 30 | 24 |
| V358-000220 | COLLAR,14 | 8 | X200-000020 | CHAIN,SAW | 24 |
| V376-000450 | SPACER | 18 | X201-000020 | CHAIN,SAW | 24 |
| V450-002050 | SPRING,COMPRESSION | 4 | X221-000100 | CHAIN,SAW | 24 |
| V450-002060 | SPRING,COMPRESSION | 4 | X222-000140 | CHAIN,SAW | 24 |
| V450-002070 | SPRING,COMPRESSION | 4 | X490-000840 | SCABBARD,CHAIN | 20 |
| V450-002080 | SPRING,COMPRESSION | 18 | X490-000920 | SCABBARD,CHAIN | 20 |
| V452-000030 | SPRING,TORSION | 6 | X502-000340 | LABEL,ECHO | 18 |
| V452-001650 | SPRING,TORSION | 16 | X502-001110 | LABEL,ECHO | 14 |
| V452-001660 | SPRING,TORSION | 18 | X503-014140 | LABEL,MODEL | 8 |
| V470-002171 | PIPE | 2 | X505-007710 | LABEL,CAUTION | 12 |
| V470-002181 | PIPE | 4 | X505-010230 | LABEL,CAUTION | 4 |
| V470-002191 | PIPE | 4 | X602-000160 | PLUG WRENCH | 20 |
| V470-002200 | PIPE | 2 | X605-000190 | TOOL,L WRENCH | 20 |
| V470-002210 | PIPE | 4 | | | |
| V471-003661 | PIPE | 4 | | | |