

CS-590

Serial Number

38000001-38999999

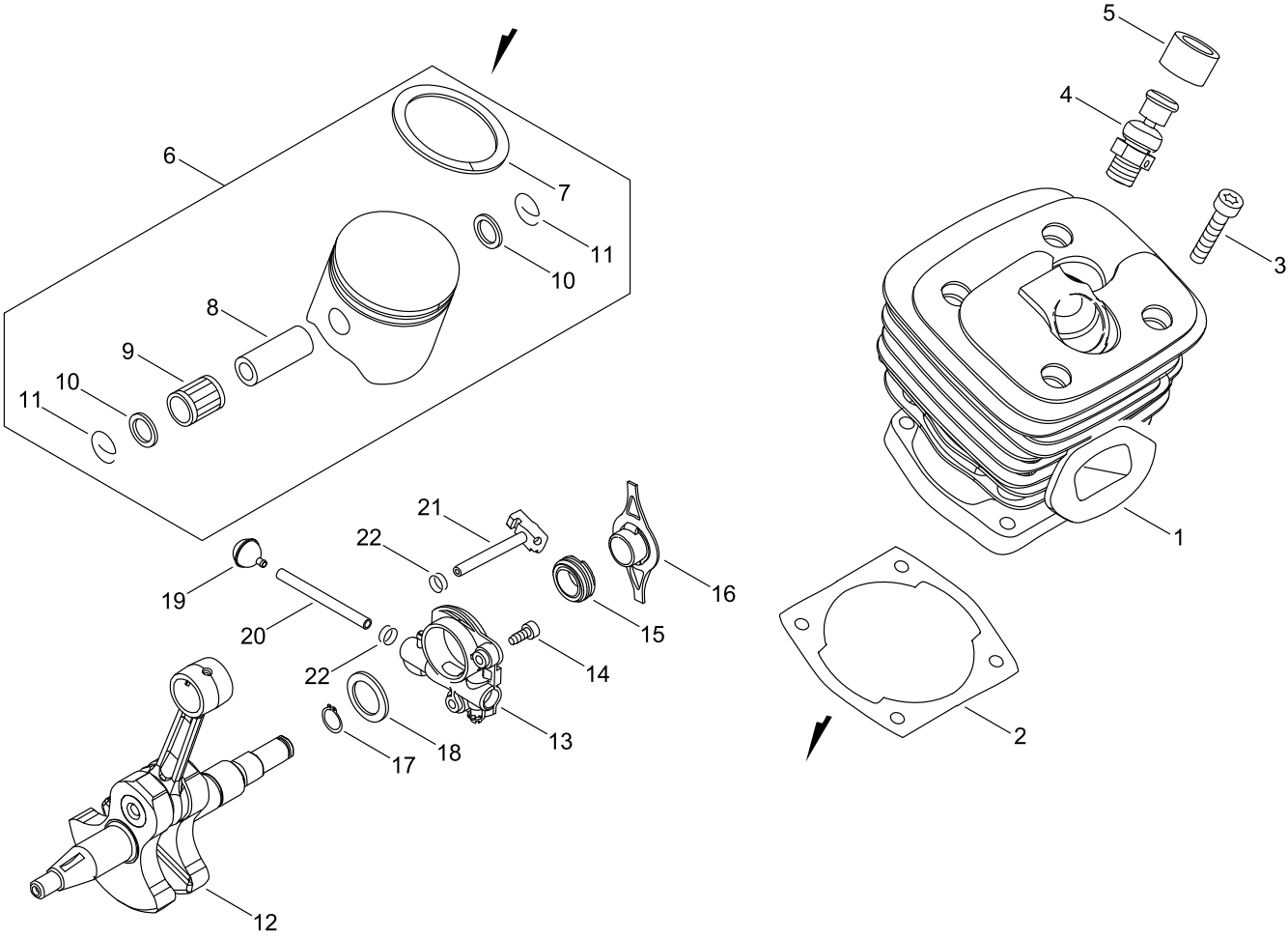
Last updated date

15/Jan/2023

TABLE OF CONTENTS

CYLINDER, PISTON, CRANKSHAFT	1
CRANKCASE	3
MAGNETO.....	5
AIR CLEANER, CARBURETOR.....	7
CARBURETOR.....	9
MUFFLER.....	11
RECOIL STARTER.....	13
HANDLE.....	15
CHAIN BRAKE.....	17
ACCESSORIES	19
OILER.....	21
GUIDE BAR, CHAIN.....	23
OPTION	25

CYLINDER, PISTON, CRANKSHAFT



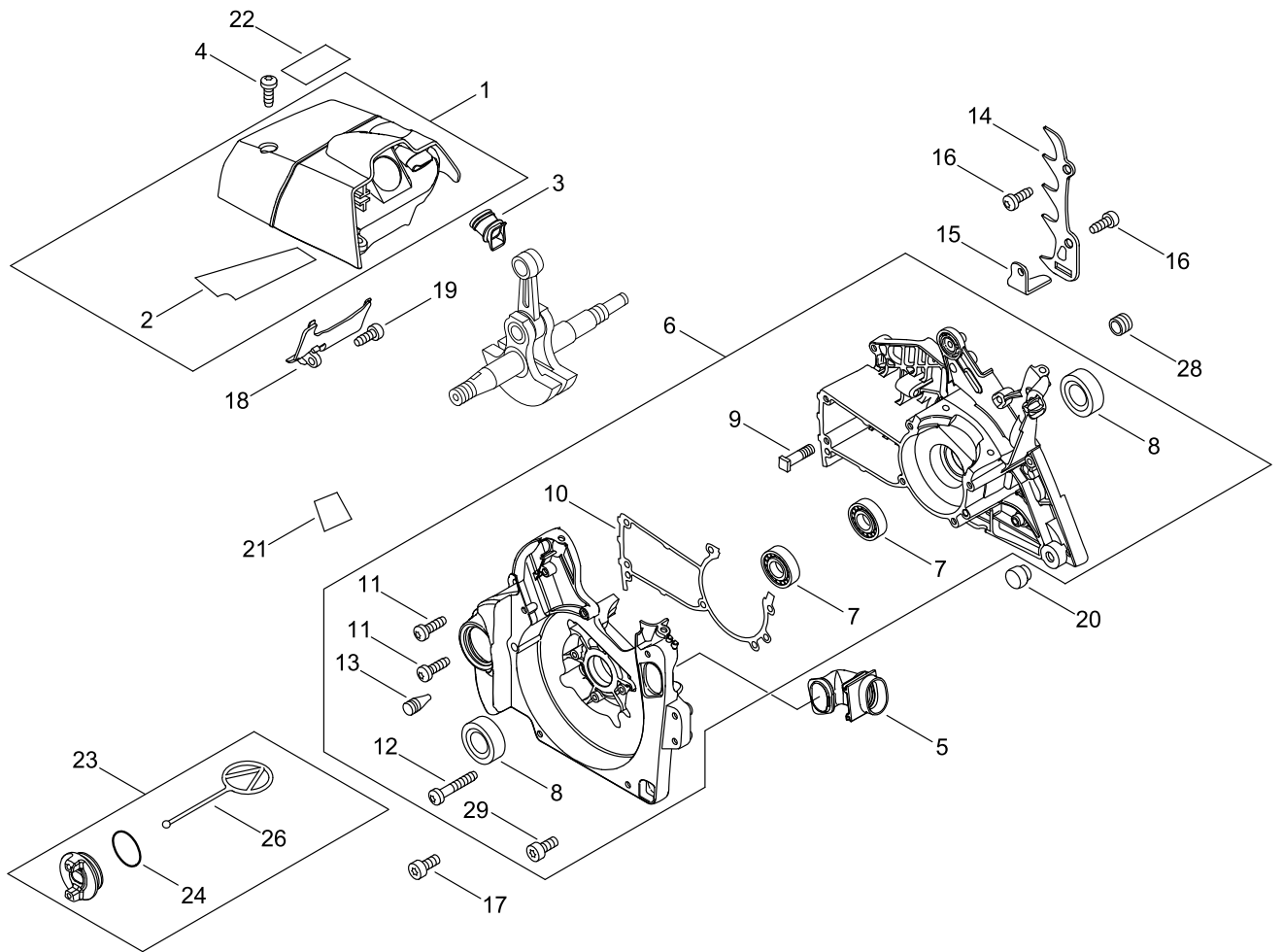
CYLINDER, PISTON, CRANKSHAFT

Key No.	LV (+)	Parts Number	Parts Description	Qty	Standard	Class
1		A130-002041	CYLINDER	1		D
2		V100-000270	GASKET,CYL	1		B
3		V805-000220	BOLT, TORX 5	4	TB-5*25 12.9	C
4		A014-000110	RELEASE ASY., COMP.	1		B
5		V141-000090	GROMMET,PLUG	1		B
6		P021-038790	PISTON KIT	1		
7	+	A101-000210	RING, PISTON	1	45*1.5*1.9	B
8	+	V609-000010	PIN,ENG 11	1	7*11*37.6	D
9	+	V556-000000	BEARING,NEEDLE 11	1	KBK11*15*15.8X2	C
10	+	V308-000040	WASHER,CIRCULAR 11	2	11.2*19.5*0.5	C
11	+	V580-000030	RING,END	2	D 1.0	C
12		A011-001270	CRANKSHAFT,ASY	1	CSB-620PW	D
13		C022-000053	AUTO-OILER ASSEMBLY	1	ZP02A	C
14		V804-000000	BOLT, TORX 4	2	TT-4*12 DG 10.9	C
15		V652-000050	GEAR,WORM	1		B
16		V358-000090	COLLAR,14	1		C
17		900701-00015	RETAINING RING, EXTERNAL	1	CS-15	
18		V311-000090	WASHER,CIRCULAR 16-1	1	15.5*22.5*0.5	C
19		436205-14730	STRAINER, OIL	1		B
20		437210-30831	PIPE	1	3*6*210	C
21		V470-000830	PIPE	1		C
22		V490-001240	CLIP	2		C

Class : Consumable class

A:Fast moving parts B:Semi-fast moving parts C:Slow moving parts D:Order only as needed

CRANKCASE



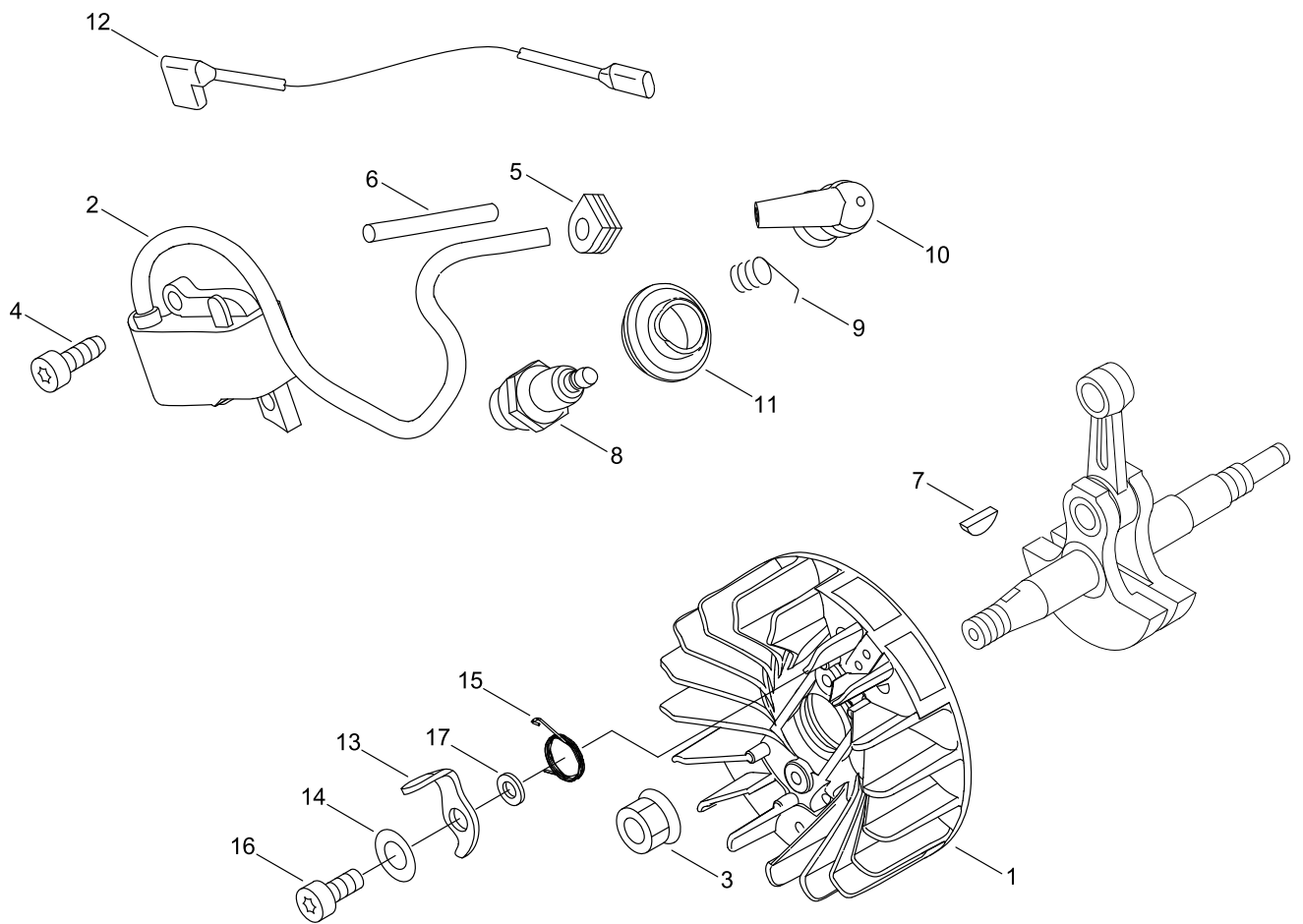
CRANKCASE

Key No.	LV (+)	Parts Number	Parts Description	Qty	Standard	Class
1		P100-002830	CYLINDER COVER ASY	1		C
2	+	V341-000140	WASHER,SQUARE	1	75*32*0.15	C
3		A239-000070	PIPE, INTAKE	1		C
4		V805-000000	BOLT, TORX 5	3	TT-5*16 DG 10.9	C
5		A239-000060	PIPE, INTAKE	1		C
6		P200-000980	CRANKCASE SET	1		
7	+	94036-46202	BEARING, BALL	2	6202	
8	+	V508-000100	SEAL,OIL 15	2	ISCD 15*25*7	C
9	+	433011-19831	STUD, GUIDE BAR	2		C
10	+	V102-000060	GASKET,CRANKCASE	1	T0.4	B
11	+	V805-000010	BOLT, TORX 5	2	TT-5*20 DG 10.9	C
12	+	V805-000020	BOLT, TORX 5	4	TT-5*35 DG 10.9	C
13	+	436114-13930	VALVE, CHECK	1		B
29	+	V805-000160	BOLT, TORX 5	4	TB-5*20 10.9	C
14		C304-000280	SPIKED	1		C
15		C310-000010	CATCHER, CHAIN	1		B
16		V805-000000	BOLT, TORX 5	2	TT-5*16 DG 10.9	C
17		V805-000170	BOLT, TORX 5	1	TB-5*25 10.9	C
18		E106-000020	GUIDE,AIR	1		C
19		V805-000000	BOLT, TORX 5	1	TT-5*16 DG 10.9	C
20		V420-003800	CUSHION	2		B
21		V376-001780	SPACER	1		C
22		890345-39231	LABEL,CAUTION	1		D
23		P100-004881	CAP,OIL ASY	1		C
24	+	900720-20029	O-RING	1	P-29	
26	+	A365-000050	CONNECTOR,CAP	1		B
28		132115-01462	GROMMET	1		C

Class : Consumable class

A:Fast moving parts B:Semi-fast moving parts C:Slow moving parts D:Order only as needed

MAGNETO



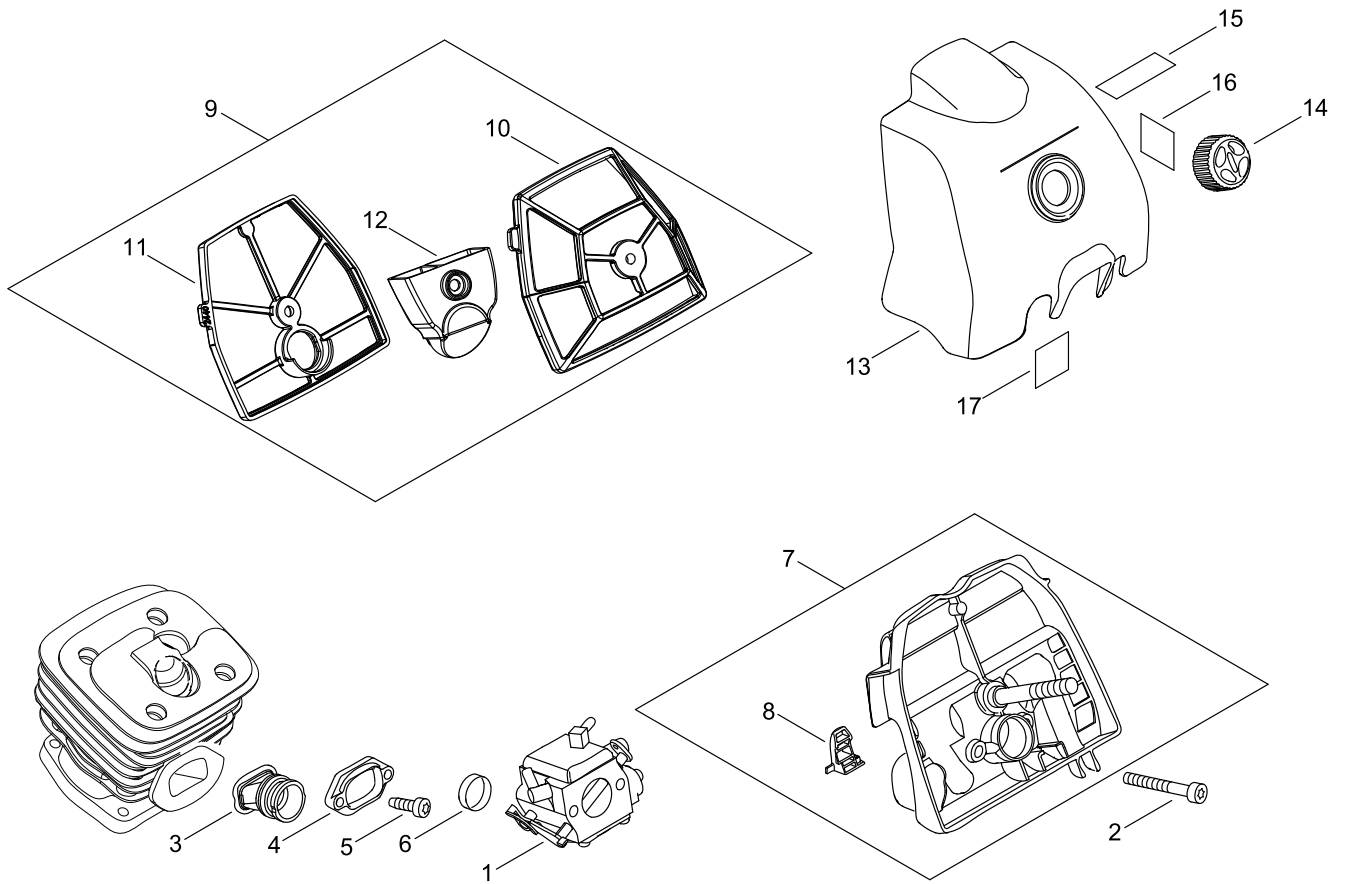
MAGNETO

Key No.	LV (+)	Parts Number	Parts Description	Qty	Standard	Class
1		A409-000360	ROTOR, MAGNETO	1		C
2		P021-038360	COIL, IGNITION	1		
3		900515-00008	NUT, FLANGE	1	8	
4		V805-000000	BOLT, TORX 5	2	TT-5*16 DG 10.9	C
5		156110-04920	BUSHING	1		C
6		V475-004130	TUBE	1		C
7		100142-30830	KEY, WOODRUFF	1		C
8		A425-000000	SPARKPLUG	1	BPMR8Y	A
9		A426-000010	TERMINAL, SPARKPLUG	1		C
10		A427-000013	CAP, SPARK PLUG	1		C
11		A429-000040	COVER, CAP	1		C
12		V485-001091	LEAD	1	AVX0.75F	C
13		177218-19830	PAWL, STARTER	2		C
14		900603-00005	WASHER	2	5	
15		177234-35430	SPRING, RETURN	2		B
16		V835-000000	BOLT, TORX 5	2		C
17		177247-04630	SPACER, RATCHET	2	5.2*8*2.1	C

Class : Consumable class

A:Fast moving parts B:Semi-fast moving parts C:Slow moving parts D:Order only as needed

AIR CLEANER, CARBURETOR



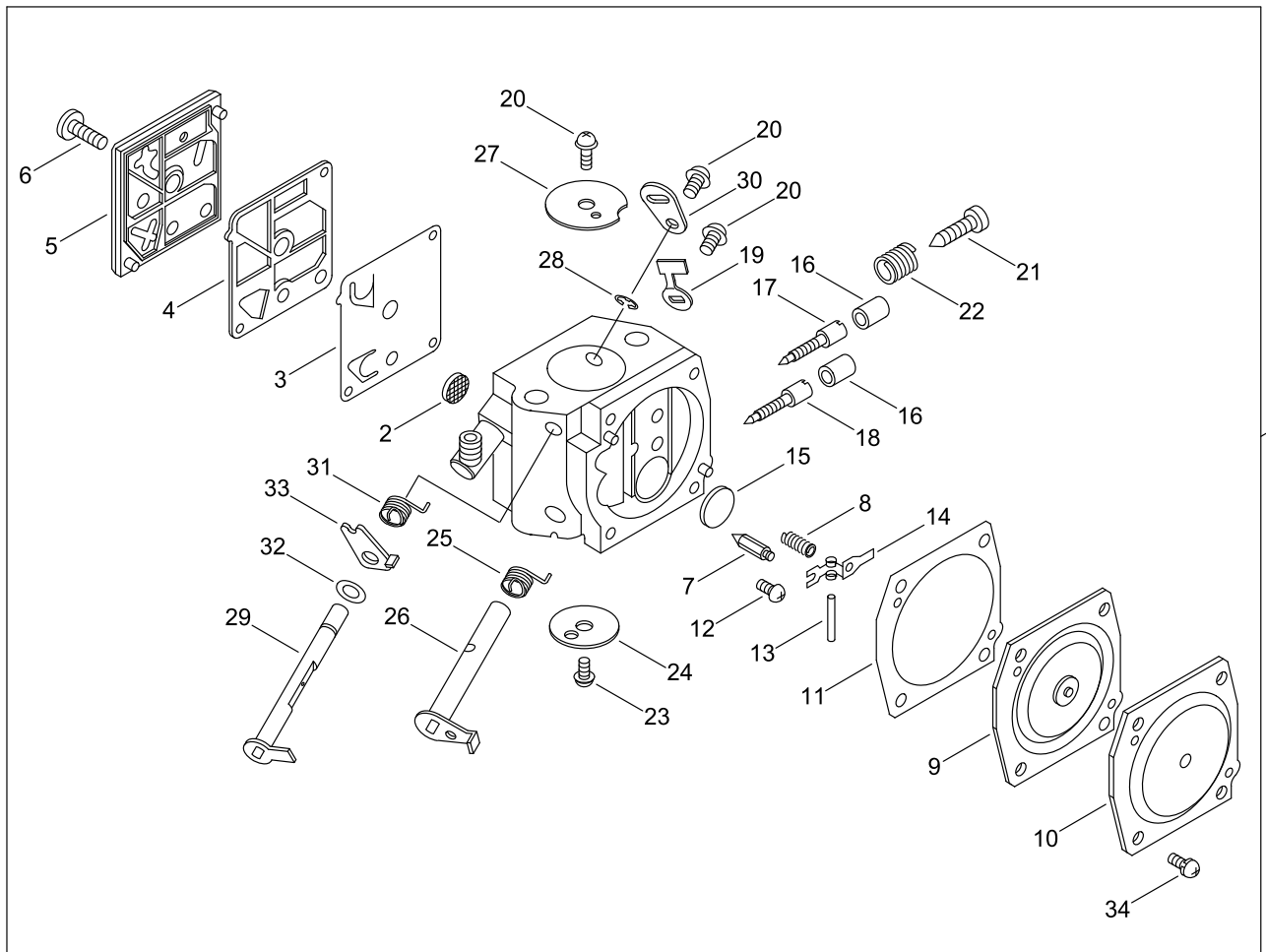
AIR CLEANER, CARBURETOR

Key No.	LV (+)	Parts Number	Parts Description	Qty	Standard	Class
1		A021-001661	CARBURETOR,DIAPHRAGM	1	HDA-268A	B
2		V805-000080	BOLT, TORX 5	2	TB-5*50 10.9	C
3		A202-000081	BELLOWS, INTAKE	1		C
4		A206-000010	HOLDER, BELLOWS	1		C
5		V805-000000	BOLT, TORX 5	2	TT-5*16 DG 10.9	C
6		V360-000060	COLLAR,18	1		C
7		P021-016023	CASE,CLEANER	1		C
8	+	A219-000000	SHUTTER, AIR	1		C
9		P021-016372	ELEMENT,AIR FILTER	1		
10	+	A226-000441	ELEMENT, AIR FILTER	1	AC-200N	A
11	+	A226-000452	ELEMENT, AIR FILTER	1	AC-200N	A
12	+	A244-000080	PLATE, PREVENT	1		C
13		A232-000472	LID,CLEANER	1		C
14		A235-000191	KNOB,CLEANER LID	1		C
15		X503-012470	LABEL,MODEL	1	CS-590	D
16		890631-38131	LABEL, CAUTION	1		D
17		890157-39131	LABEL, SWITCH	1		D

Class : Consumable class

A:Fast moving parts B:Semi-fast moving parts C:Slow moving parts D:Order only as needed

CARBURETOR



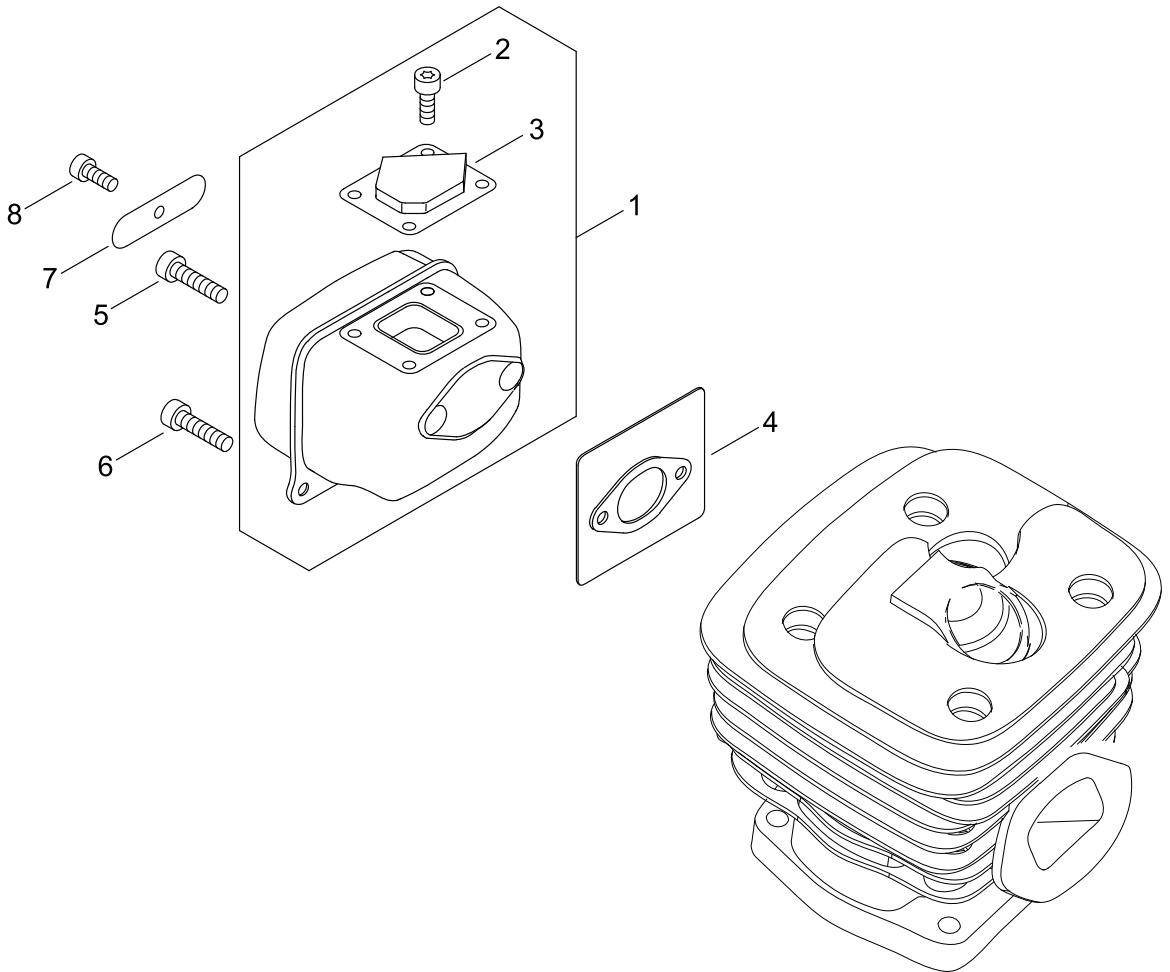
CARBURETOR

Key No.	LV (+)	Parts Number	Parts Description	Qty	Standard	Class
1		A021-001661	CARBURETOR,DIAPHRAGM	1	HDA-268A	B
2	+	123126-10631	SCREEN, INLET	1		B
3	+	123112-12330	DIAPHRAGM, FUEL PUMP	1		A
4	+	123125-12330	GASKET, FUEL PUMP	1		A
5	+	P003-006440	PUMP COVER ASY	1		
6	+	123110-16130	SCREW, PUMP COVER	1		D
7	+	123137-19830	VALVE, INLET NEEDLE	1		D
8	+	123122-32630	SPRING, METER. LEVER	1		D
9	+	P003-004920	DIAPHRAGM ASSY	1	95-649	A
10	+	123142-17330	COVER, M. DIAPHRAGM	1		D
11	+	123140-16130	GASKET, M. DIAPHRAGM	1		A
12	+	P003-005400	SCREW	1		D
13	+	123138-03930	PIN, METERING LEVER	1		D
14	+	123123-18330	LEVER, METERING	1		D
15	+	123146-10631	PLUG, WELCH	1		C
16	+	P003-000010	LIMITER CAP	2		B
17	+	123118-02261	NEEDLE	1		D
18	+	123120-32631	NEEDLE, HIGH SPEED	1		D
19	+	123156-30830	STOP, THROTTLE	1		D
20	+	123114-38830	SCREW	3		D
21	+	123134-04260	SCREW, IDLE ADJUST	1		D
22	+	123133-04260	SPRING, IDLE ADJUST	1		D
23	+	P003-002380	SCREW	1		D
24	+	123132-16130	VALVE, CHOKE	1		D
25	+	P003-000560	SPRING, THRT. RETURN	1		D
26	+	P003-002280	SHAFT,THROTTLE	1		C
27	+	123116-16130	VALVE, THROTTLE	1		D
28	+	123127-15030	RING	1		D
29	+	P003-002290	SHAFT, CHOKE	1		D
30	+	P003-002300	LEVER, CHOKE	1		D
31	+	P003-000610	SPRING	1		D
32	+	123149-26030	WASHER	1		D
33	+	P003-000620	LEVER-FAST IDLE	1		D
34	+	123130-02960	SCREW	4		D

Class : Consumable class

A:Fast moving parts B:Semi-fast moving parts C:Slow moving parts D:Order only as needed

MUFFLER



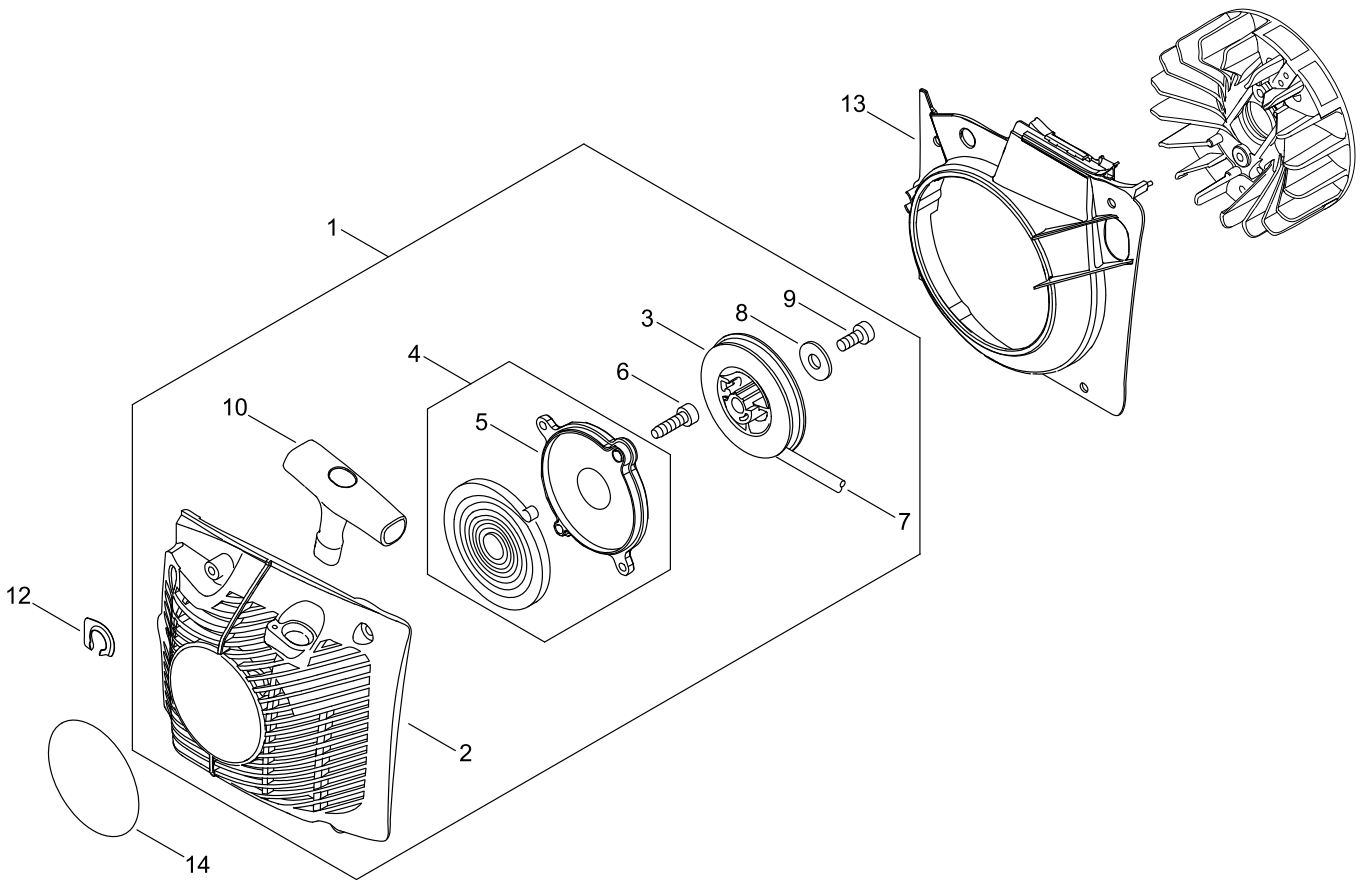
MUFFLER

Key No.	LV (+)	Parts Number	Parts Description	Qty	Standard	Class
1		P100-007310	MUFFLER ASY	1		
2	+	V804-000030	BOLT, TORX 4	4	TB-4*8 10.9	C
3	+	A031-000020	GUIDE, EXHAUST	1		C
4		V104-002150	GASKET,EXHAUST	1	T 1.6	A
5		V805-000210	BOLT, TORX 5	2	TB-5*20 12.9	C
6		V855-000000	BOLT, TORX 5	2	TB-5*20	C
7		A301-000030	PLATE, MUFFLER	1	T0.5	C
8		V804-000030	BOLT, TORX 4	1	TB-4*8 10.9	C

Class : Consumable class

A:Fast moving parts B:Semi-fast moving parts C:Slow moving parts D:Order only as needed

RECOIL STARTER



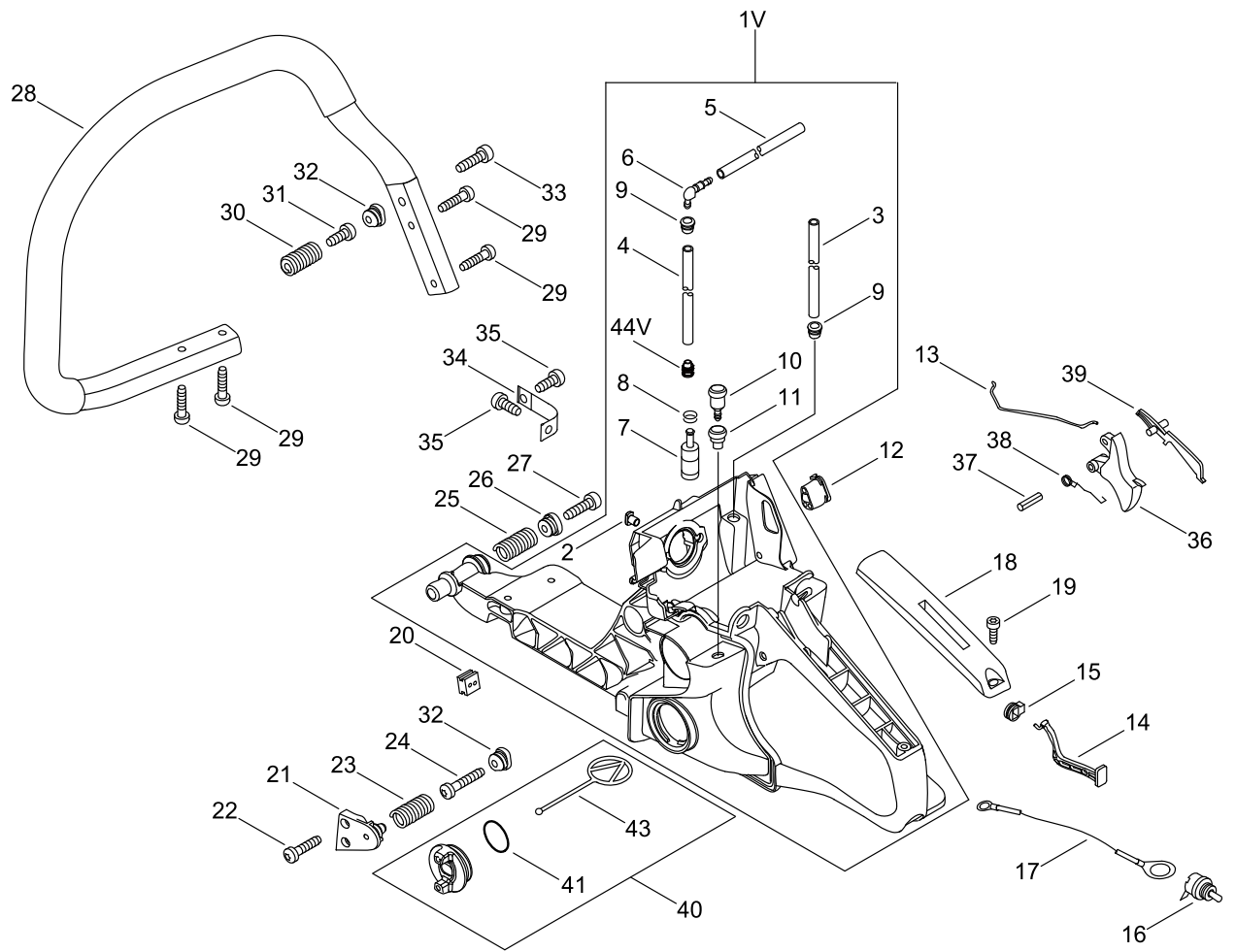
RECOIL STARTER

Key No.	LV (+)	Parts Number	Parts Description	Qty	Standard	Class
1		P100-007950	STARTER ASY	1		B
2	+	P100-007940	CASE,STARTER	1		C
3	+	A506-000112	REEL, ROPE	1		C
4	+	P100-002890	SPRING KIT, REWIND	1		B
5	++	A503-000032	PLATE, STARTER	1		C
6	+	V804-000000	BOLT, TORX 4	2	TT-4*12 DG 10.9	C
7	+	A509-000460	ROPE	1		B
8	+	177214-02830	WASHER	1	5.2*16*1.0T	C
9	+	V805-000130	BOLT, TORX 5	1	TB-5*10 10.9	C
10	+	A511-000300	GRIP,STARTER	1		C
12		V150-003800	PLATE,EYE	1		C
13		A172-000843	COVER,FAN	1		C
14		X502-000900	LABEL,ECHO	1		D

Class : Consumable class

A:Fast moving parts B:Semi-fast moving parts C:Slow moving parts D:Order only as needed

HANDLE



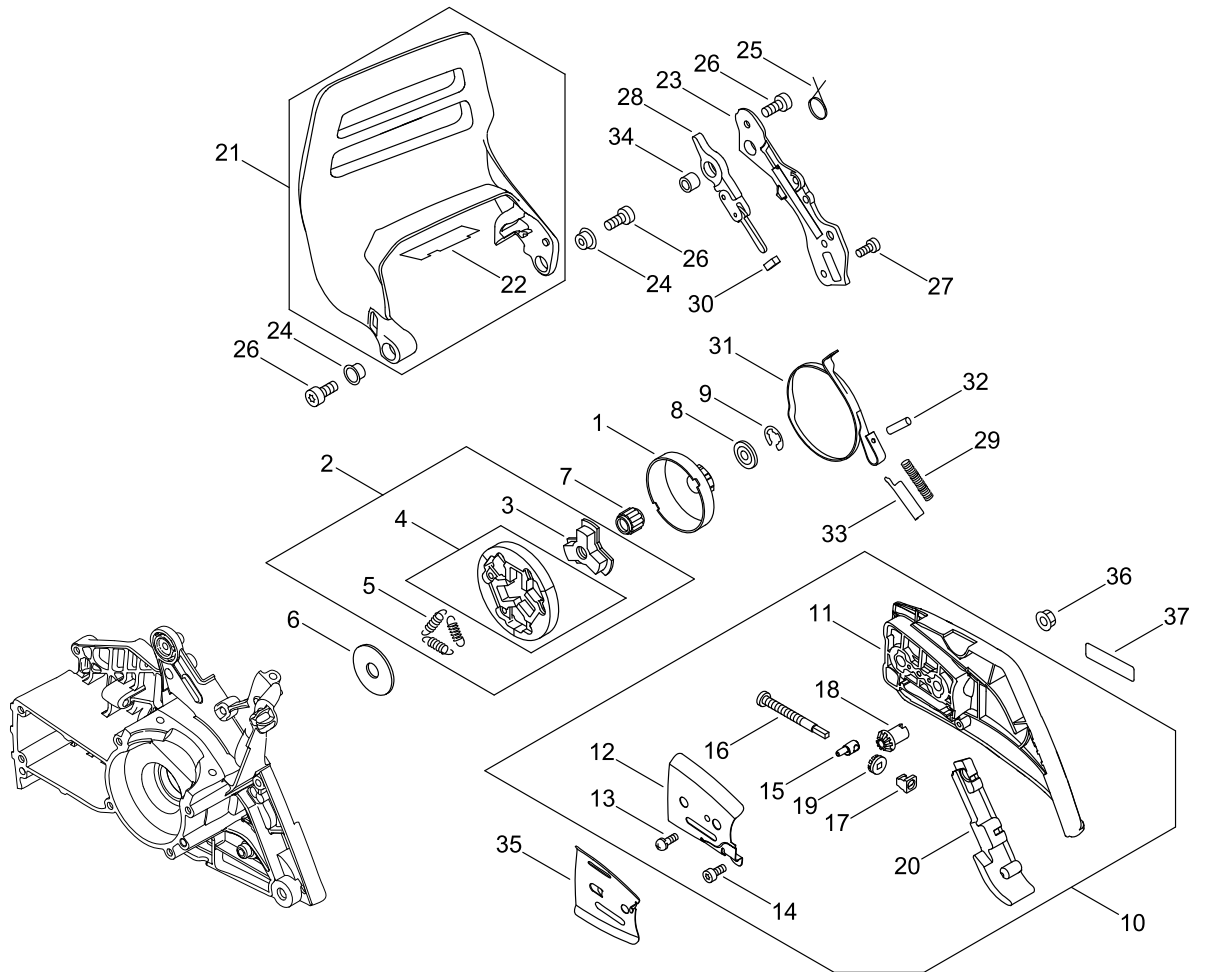
HANDLE

Key No.	LV (+)	Parts Number	Parts Description	Qty	Standard	Class
1V		P100-007321	REAR HANDLE ASY	1		C
2	+	V263-000450	NUT,5	2		C
3	+	130110-30831	PIPE	1	3*6(8)*160	C
4	+	V471-000601	PIPE	1	3*5*120	C
5	+	130110-14530	PIPE, IMPULSE	1	3*6*135L	C
6	+	V186-000500	JOINT,PIPE	1		C
7	+	A369-000450	STRAINER, FUEL	1		A
8	+	V490-001240	CLIP	1		C
9	+	132115-01462	GROMMET	2		C
10	+	131300-56431	VENT ASSEMBLY, FUEL	1		B
11	+	A359-000001	COVER,VENT	1	22.5*D18*D8.5	D
44V	+	A413-000190	BOOT	1		C
12		V131-000020	GROMMET,NEEDLE	1		C
13		C454-000170	ROD, THROTTLE	1		C
14		A241-000171	KNOB, CHOKE	1		C
15		V130-000030	GROMMET,CHOKE	1		C
16		A440-001190	SWITCH, ON OFF	1		C
17		V485-001101	LEAD	1	L:170/LA105	C
18		C411-000001	LID,HANDLE	1		C
19		V804-000000	BOLT, TORX 4	1	TT-4*12 DG 10.9	C
20		150114-04920	BUSHING	1		C
21		V456-000090	HOLDER,SPRING	1		C
22		V805-000010	BOLT, TORX 5	2	TT-5*20 DG 10.9	C
23		V450-000760	SPRING,COMPRESSION	1	17*36.7*2.6	B
24		V805-000230	BOLT, TORX 5	1	TT-5*25 DG 10.9	C
25		V450-000771	SPRING,COMPRESSION	1	20*40*3.3	B
26		V456-000101	HOLDER,SPRING	1		C
27		V806-000000	BOLT, TORX 6	1	TT-6*20 DG 10.9	C
28		C400-000551	HANDLE,FRONT	1		C
29		V805-000010	BOLT, TORX 5	4	TT-5*20 DG 10.9	C
30		V450-000730	SPRING,COMPRESSION	1	17*38.4	B
31		V805-000000	BOLT, TORX 5	1	TT-5*16 DG 10.9	C
32		V456-000080	HOLDER,SPRING	2	14.4	C
33		V806-000000	BOLT, TORX 6	1	TT-6*20 DG 10.9	C
34		C617-000362	STOPPER	1		C
35		V805-000000	BOLT, TORX 5	2	TT-5*16 DG 10.9	C
36		C450-000360	CONTROL, THROTTLE	1		C
37		900345-40025	PIN, SPRING	1	4*25	
38		V452-000260	SPRING,TORSION	1		B
39		178090-37930	LOCKOUT, T. CONTROL	1		C
40		P100-004891	CAP,FUEL ASY	1		C
41	+	V581-000600	RING,O	1	P29	A
43	+	A365-000050	CONNECTOR,CAP	1		B

Class : Consumable class

A:Fast moving parts B:Semi-fast moving parts C:Slow moving parts D:Order only as needed

CHAIN BRAKE



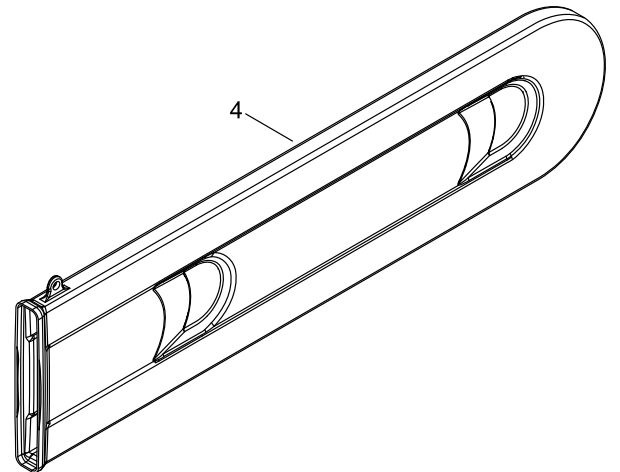
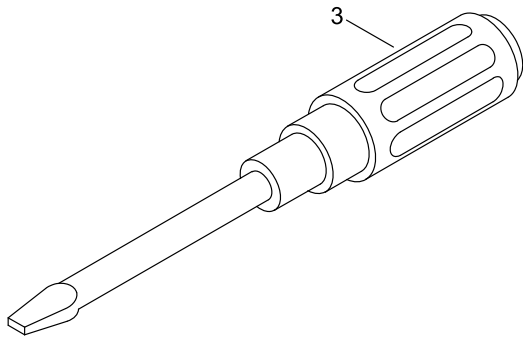
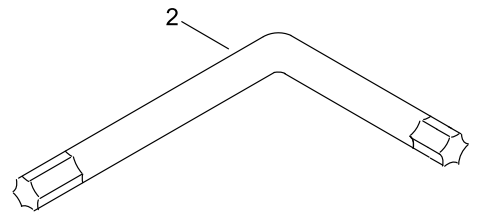
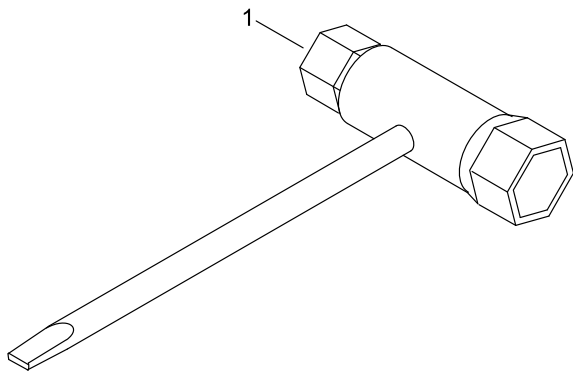
CHAIN BRAKE

Key No.	LV (+)	Parts Number	Parts Description	Qty	Standard	Class
1		A556-001580	DRUM, CLUTCH	1	3/8_SPUR	B
2		A056-000221	CLUTCH ASY	1	VA	B
3	+	A552-000110	HUB, CLUTCH	1		B
4		P021-007051	CLUTCH SHOE SET	1		B
5	+	V451-000500	SPRING,TENSION	3		B
6		A551-000110	PLATE, CLUTCH	1	12*36*2	C
7		V555-000010	BEARING,NEEDLE 10	1		B
8		V307-000510	WASHER,CIRCULAR 10	1		C
9		V583-000440	RING	1	8.1 T1.2	C
10		P021-050780	GUARD, SPROCKET ASY	1		
11	+	C300-000413	GUARD, SPROCKET	1		C
12	+	C305-000101	PLATE,SPROCKET GUARD	1		C
13	+	900241-03006	SCREW	1	3*6	
14	+	V804-000000	BOLT, TORX 4	1	TT-4*12 DG 10.9	C
15	+	C309-000160	TENSIONER, CHAIN	1		C
16	+	V203-002140	BOLT,5	1		C
17	+	V355-000800	COLLAR,8	1		C
18	+	V651-001040	GEAR,BEVEL	1		D
19	+	V651-001050	GEAR,BEVEL	1		D
20	+	C302-000090	PAD, GUARD	1		B
21		P100-002880	BRAKE LEVER ASY	1		
22	+	V341-000131	WASHER,SQUARE	1	75*27*0.15	C
23		C345-000283	COVER,BRAKE	1		C
24		V356-000440	COLLAR,10	2	11.2*16.2*T0.6	C
25		V452-000400	SPRING,TORSION	1		B
26		V805-000000	BOLT, TORX 5	5	TT-5*16 DG 10.9	C
27		V804-000000	BOLT, TORX 4	1	TT-4*12 DG 10.9	C
28		C334-000111	CONNECTOR, BRAKE	1	ASSY	C
29		V450-000740	SPRING,COMPRESSION	1	12*70.5	B
30		V376-000450	SPACER	1		C
31		C328-000121	BAND, BRAKE	1		C
32		93050-30098	ROLLER	1	3*9.8	C
33		C603-000220	PLATE, SIDE	1	T0.3	C
34		V356-000470	COLLAR,10	1	12*10*T1.0	C
35		C305-000111	PLATE,SPROCKET GUARD	1		C
36		V265-000200	NUT	2		C
37		X502-000340	LABEL,ECHO	1	ECHO(WHITE)	D

Class : Consumable class

A:Fast moving parts B:Semi-fast moving parts C:Slow moving parts D:Order only as needed

ACCESSORIES

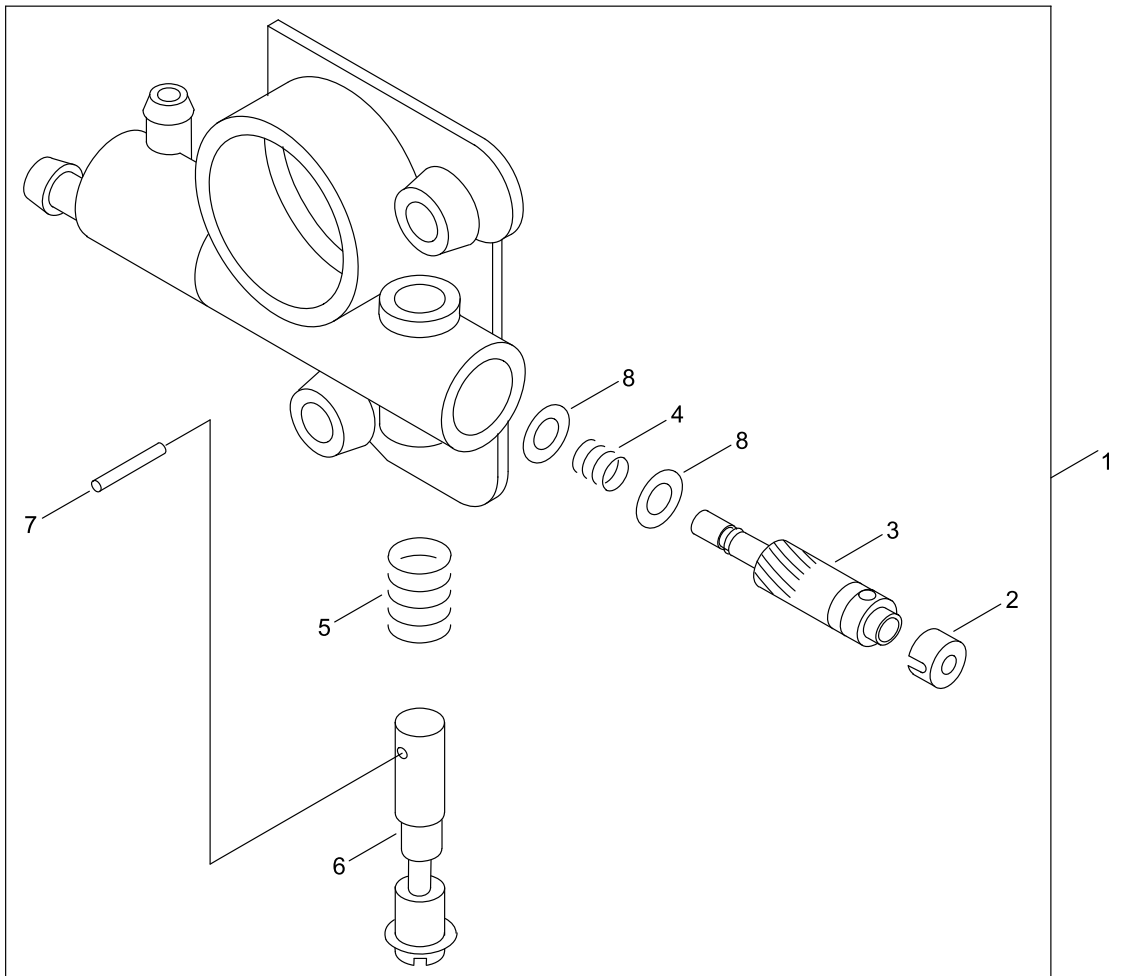


ACCESSORIES

Key No.	LV (+)	Parts Number	Parts Description	Qty	Standard	Class
1		X602-000080	TOOL,WRENCH	1	13*19 L180	D
2		X605-000190	TOOL,L WRENCH	1	T27 120*80	D
3		895812-03930	DRIVER, SCREW 50	1		D
4		X490-000720	SCABBARD,CHAIN	1		D

Class : Consumable class
 A:Fast moving parts B:Semi-fast moving parts C:Slow moving parts D:Order only as needed

OILER





OILER

Key No.	LV (+)	Parts Number	Parts Description	Qty	Standard	Class
1		C022-000053	AUTO-OILER ASSEMBLY	1	ZP02A	C
2	+	P022-038170	CAP, PLUNGER	1		D
3	+	P022-038180	SHAFT ASY-PLUNGER	1		D
4	+	P022-049820	SPRING, PLUNGER	1		D
5	+	P022-010670	SPRING	1		D
6	+	P022-038200	SCREW KIT, ADJUST	1		D
7	+	P022-038210	SPRING PIN	1		D
8	+	P022-049140	WASHER	2		D

Class : Consumable class

A:Fast moving parts B:Semi-fast moving parts C:Slow moving parts D:Order only as needed

GUIDE BAR, CHAIN

Pitch ピッチ	Gauge ゲージ	Length 長さ	Guide Bar ガイドバー		Saw Chain ソーチェン		Hard Nose ハード ノーズ 	Sprocket Nose スプロケット ノーズ 
			Key No	Type 形式	Key No	Type 形式		
3/8 9.53	0.058 1.47	40	A1	S40S73-60AA- ED	A2	73LGX-60E		●
3/8 8.53	0.058 1.47	45	B1	S45S73-64AA- ED	B2	73LGX-64E		●
3/8 9.53	0.058 1.47	50	C1	S50S73-72AA- ED	C2	91VXL-53E		●
3/8 9.53	0.058 1.47	50	D1	S50S73-72AA- ED	D2	73LGX-72E		●
3/8 9.53	0.058 1.47	50	E1	S50S73-72AA- ED	E2	73LPX-72		●

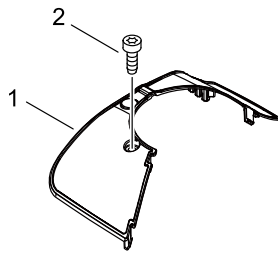
GUIDE BAR, CHAIN

Key No.	LV (+)	Parts Number	Parts Description	Qty	Standard	Class
A1		X124-000481	BAR,GUIDE 40	1	S40S73-60AA- ED	A
A2		X264-000040	CHAIN,SAW	1	73LGX-60E	A
B1		X125-000171	BAR,GUIDE 45	1	S45S73-64AA- ED	A
B2		431017-30831	CHAIN, SAW 73LGX-64E	1	73LGX-64E	A
C1		X126-000141	BAR,GUIDE 50	1	S50S73-72AA- ED	A
C2		431012-30831	CHAIN, SAW 73LGX-72E	1	73LGX-72E	A
D1		X126-000141	BAR,GUIDE 50	1	S50S73-72AA- ED	A
D2		431012-30831	CHAIN, SAW 73LGX-72E	1	73LGX-72E	A
E1		X126-000141	BAR,GUIDE 50	1	S50S73-72AA- ED	A
E2		X266-000060	CHAIN,SAW	1	73LPX-72	A

Class : Consumable class

A:Fast moving parts B:Semi-fast moving parts C:Slow moving parts D:Order only as needed

OPTION



OPTION

Key No.	LV (+)	Parts Number	Parts Description	Qty	Standard	Class
1		C418-000130	SHIELD, SNOW	1		C
2		V804-000000	BOLT, TORX 4	1	TT-4*12 DG 10.9	C

Class : Consumable class

A:Fast moving parts B:Semi-fast moving parts C:Slow moving parts D:Order only as needed

NUMERICAL PARTS INDEX

Part No	Part description	Page	Part No	Part description	Page	Part No	Part description	Page
100142-30830	KEY, WOODRUFF	6	895812-03930	DRIVER, SCREW 50	20	A511-000300	GRIP,STARTER	14
123110-16130	SCREW, PUMP COVER	10	900241-03006	SCREW	18	A551-000110	PLATE, CLUTCH	18
123112-12330	DIAPHRAGM, FUEL PUMP	10	900345-40025	PIN, SPRING	16	A552-000110	HUB, CLUTCH	18
123114-38830	SCREW	10	900515-00008	NUT, FLANGE	6	A556-001580	DRUM, CLUTCH	18
123116-16130	VALVE, THROTTLE	10	900603-00005	WASHER	6	C022-000053	AUTO-OILER ASSEMBLY	2
123118-02261	NEEDLE	10	900701-00015	RETAINING RING, EXTERNAL	2	C022-000053	AUTO-OILER ASSEMBLY	22
123120-32631	NEEDLE, HIGH SPEED	10	900720-20029	O-RING	4	C300-000413	GUARD, SPROCKET	18
123122-32630	SPRING, METER. LEVER	10	93050-30098	ROLLER	18	C302-000090	PAD, GUARD	18
123123-18330	LEVER, METERING	10	94036-46202	BEARING, BALL	4	C304-000280	SPIKED	4
123125-12330	GASKET, FUEL PUMP	10	A011-001270	CRANKSHAFT,ASY	2	C305-000101	PLATE,SPROCKET GUARD	18
123126-10631	SCREEN, INLET	10	A014-000110	RELEASE ASY., COMP.	2	C305-000111	PLATE,SPROCKET GUARD	18
123127-15030	RING	10	A021-001661	CARBURETOR, DIAPHRAGM	8	C309-000160	TENSIONER, CHAIN	18
123130-02960	SCREW	10	A021-001661	CARBURETOR, DIAPHRAGM	10	C310-000010	CATCHER, CHAIN	4
123132-16130	VALVE, CHOKE	10	A031-000020	GUIDE, EXHAUST	12	C328-000121	BAND, BRAKE	18
123133-04260	SPRING, IDLE ADJUST	10	A056-000221	CLUTCH ASY	18	C334-000111	CONNECTOR, BRAKE	18
123134-04260	SCREW, IDLE ADJUST	10	A101-000210	RING, PISTON	2	C345-000283	COVER,BRAKE	18
123137-19830	VALVE, INLET NEEDLE	10	A130-002041	CYLINDER	2	C400-000551	HANDLE,FRONT	16
123138-03930	PIN, METERING LEVER	10	A172-000843	COVER,FAN	14	C411-000001	LID,HANDLE	16
123140-16130	GASKET, M. DIAPHRAGM	10	A202-000081	BELLOWS, INTAKE	8	C418-000130	SHIELD, SNOW	26
123142-17330	COVER, M. DIAPHRAGM	10	A206-000010	HOLDER, BELLOWS	8	C450-000360	CONTROL, THROTTLE	16
123146-10631	PLUG, WELCH	10	A219-000000	SHUTTER, AIR	8	C454-000170	ROD, THROTTLE	16
123149-26030	WASHER	10	A226-000441	ELEMENT, AIR FILTER	8	C603-000220	PLATE, SIDE	18
123156-30830	STOP, THROTTLE	10	A226-000452	ELEMENT, AIR FILTER	8	C617-000362	STOPPER	16
130110-14530	PIPE, IMPULSE	16	A232-000472	LID,CLEANER	8	E106-000020	GUIDE,AIR	4
130110-30831	PIPE	16	A235-000191	KNOB,CLEANER LID	8	P003-000010	LIMITER CAP	10
131300-56431	VENT ASSEMBLY, FUEL	16	A239-000060	PIPE, INTAKE	4	P003-000560	SPRING, THRT. RETURN	10
132115-01462	GROMMET	4	A239-000070	PIPE, INTAKE	4	P003-000610	SPRING	10
132115-01462	GROMMET	16	A241-000171	KNOB, CHOKE	16	P003-000620	LEVER-FAST IDLE	10
150114-04920	BUSHING	16	A244-000080	PLATE, PREVENT	8	P003-002280	SHAFT,THROTTLE	10
156110-04920	BUSHING	6	A301-000030	PLATE, MUFFLER	12	P003-002290	SHAFT, CHOKE	10
177214-02830	WASHER	14	A359-000001	COVER,VENT	16	P003-002300	LEVER, CHOKE	10
177218-19830	PAWL, STARTER	6	A365-000050	CONNECTOR,CAP	4	P003-002380	SCREW	10
177234-35430	SPRING, RETURN	6	A365-000050	CONNECTOR,CAP	16	P003-004920	DIAPHRAGM ASSY	10
177247-04630	SPACER, RATCHET	6	A369-000450	STRAINER, FUEL	16	P003-005400	SCREW	10
178090-37930	LOCKOUT, T. CONTROL	16	A409-000360	ROTOR, MAGNETO	6	P003-006440	PUMP COVER ASY	10
431012-30831	CHAIN, SAW 73LGX-72E	24	A413-000190	BOOT	16	P021-007051	CLUTCH SHOE SET	18
431017-30831	CHAIN, SAW 73LGX-64E	24	A425-000000	SPARKPLUG	6	P021-016023	CASE,CLEANER	8
433011-19831	STUD, GUIDE BAR	4	A426-000010	TERMINAL,SPARKPLUG	6	P021-016372	ELEMENT,AIR FILTER	8
436114-13930	VALVE, CHECK	4	A427-000013	CAP,SPARK PLUG	6	P021-038360	COIL, IGNITION	6
436205-14730	STRAINER, OIL	2	A429-000040	COVER,CAP	6	P021-038790	PISTON KIT	2
437210-30831	PIPE	2	A440-001190	SWITCH, ON OFF	16	P021-050780	GUARD, SPROCKET ASY	18
890157-39131	LABEL, SWITCH	8	A503-000032	PLATE, STARTER	14	P022-010670	SPRING	22
890345-39231	LABEL,CAUTION	4	A506-000112	REEL, ROPE	14	P022-038170	CAP, PLUNGER	22
890631-38131	LABEL, CAUTION	8	A509-000460	ROPE	14	P022-038180	SHAFT ASY-PLUNGER	22

NUMERICAL PARTS INDEX

Part No	Part description	Page	Part No	Part description	Page	Part No	Part description	Page
P022-038200	SCREW KIT, ADJUST	22	V456-000080	HOLDER,SPRING	16	X125-000171	BAR,GUIDE 45	24
P022-038210	SPRING PIN	22	V456-000090	HOLDER,SPRING	16	X126-000141	BAR,GUIDE 50	24
P022-049140	WASHER	22	V456-000101	HOLDER,SPRING	16	X264-000040	CHAIN,SAW	24
P022-049820	SPRING, PLUNGER	22	V470-000830	PIPE	2	X266-000060	CHAIN,SAW	24
P100-002830	CYLINDER COVER ASY	4	V471-000601	PIPE	16	X490-000720	SCABBARD,CHAIN	20
P100-002880	BRAKE LEVER ASY	18	V475-004130	TUBE	6	X502-000340	LABEL,ECHO	18
P100-002890	SPRING KIT, REWIND	14	V485-001091	LEAD	6	X502-000900	LABEL,ECHO	14
P100-004881	CAP,OIL ASY	4	V485-001101	LEAD	16	X503-012470	LABEL,MODEL	8
P100-004891	CAP,FUEL ASY	16	V490-001240	CLIP	2	X602-000080	TOOL,WRENCH	20
P100-007310	MUFFLER ASY	12	V490-001240	CLIP	16	X605-000190	TOOL,L WRENCH	20
P100-007321	REAR HANDLE ASY	16	V508-000100	SEAL,OIL 15	4			
P100-007940	CASE,STARTER	14	V555-000010	BEARING,NEEDLE 10	18			
P100-007950	STARTER ASY	14	V556-000000	BEARING,NEEDLE 11	2			
P200-000980	CRANKCASE SET	4	V580-000030	RING,END	2			
V100-000270	GASKET,CYL	2	V581-000600	RING,O	16			
V102-000060	GASKET,CRANKCASE	4	V583-000440	RING	18			
V104-002150	GASKET,EXHAUST	12	V609-000010	PIN,ENG 11	2			
V130-000030	GROMMET,CHOKE	16	V651-001040	GEAR,BEVEL	18			
V131-000020	GROMMET,NEEDLE	16	V651-001050	GEAR,BEVEL	18			
V141-000090	GROMMET,PLUG	2	V652-000050	GEAR,WORM	2			
V150-003800	PLATE,EYE	14	V804-000000	BOLT, TORX 4	2			
V186-000500	JOINT,PIPE	16	V804-000000	BOLT, TORX 4	14			
V203-002140	BOLT,5	18	V804-000000	BOLT, TORX 4	16			
V263-000450	NUT,5	16	V804-000000	BOLT, TORX 4	18			
V265-000200	NUT	18	V804-000000	BOLT, TORX 4	26			
V307-000510	WASHER,CIRCULAR 10	18	V804-000030	BOLT, TORX 4	12			
V308-000040	WASHER,CIRCULAR 11	2	V805-000000	BOLT, TORX 5	4			
V311-000090	WASHER,CIRCULAR 16-1	2	V805-000000	BOLT, TORX 5	6			
V341-000131	WASHER,SQUARE	18	V805-000000	BOLT, TORX 5	8			
V341-000140	WASHER,SQUARE	4	V805-000000	BOLT, TORX 5	16			
V355-000800	COLLAR,8	18	V805-000000	BOLT, TORX 5	18			
V356-000440	COLLAR,10	18	V805-000010	BOLT, TORX 5	4			
V356-000470	COLLAR,10	18	V805-000010	BOLT, TORX 5	16			
V358-000090	COLLAR,14	2	V805-000020	BOLT, TORX 5	4			
V360-000060	COLLAR,18	8	V805-000080	BOLT, TORX 5	8			
V376-000450	SPACER	18	V805-000130	BOLT, TORX 5	14			
V376-001780	SPACER	4	V805-000160	BOLT, TORX 5	4			
V420-003800	CUSHION	4	V805-000170	BOLT, TORX 5	4			
V450-000730	SPRING,COMPRESSION	16	V805-000210	BOLT, TORX 5	12			
V450-000740	SPRING,COMPRESSION	18	V805-000220	BOLT, TORX 5	2			
V450-000760	SPRING,COMPRESSION	16	V805-000230	BOLT, TORX 5	16			
V450-000771	SPRING,COMPRESSION	16	V806-000000	BOLT, TORX 6	16			
V451-000500	SPRING,TENSION	18	V835-000000	BOLT, TORX 5	6			
V452-000260	SPRING,TORSION	16	V855-000000	BOLT, TORX 5	12			
V452-000400	SPRING,TORSION	18	X124-000481	BAR,GUIDE 40	24			