

CS-7310SX

Serial Number

38000001-38999999

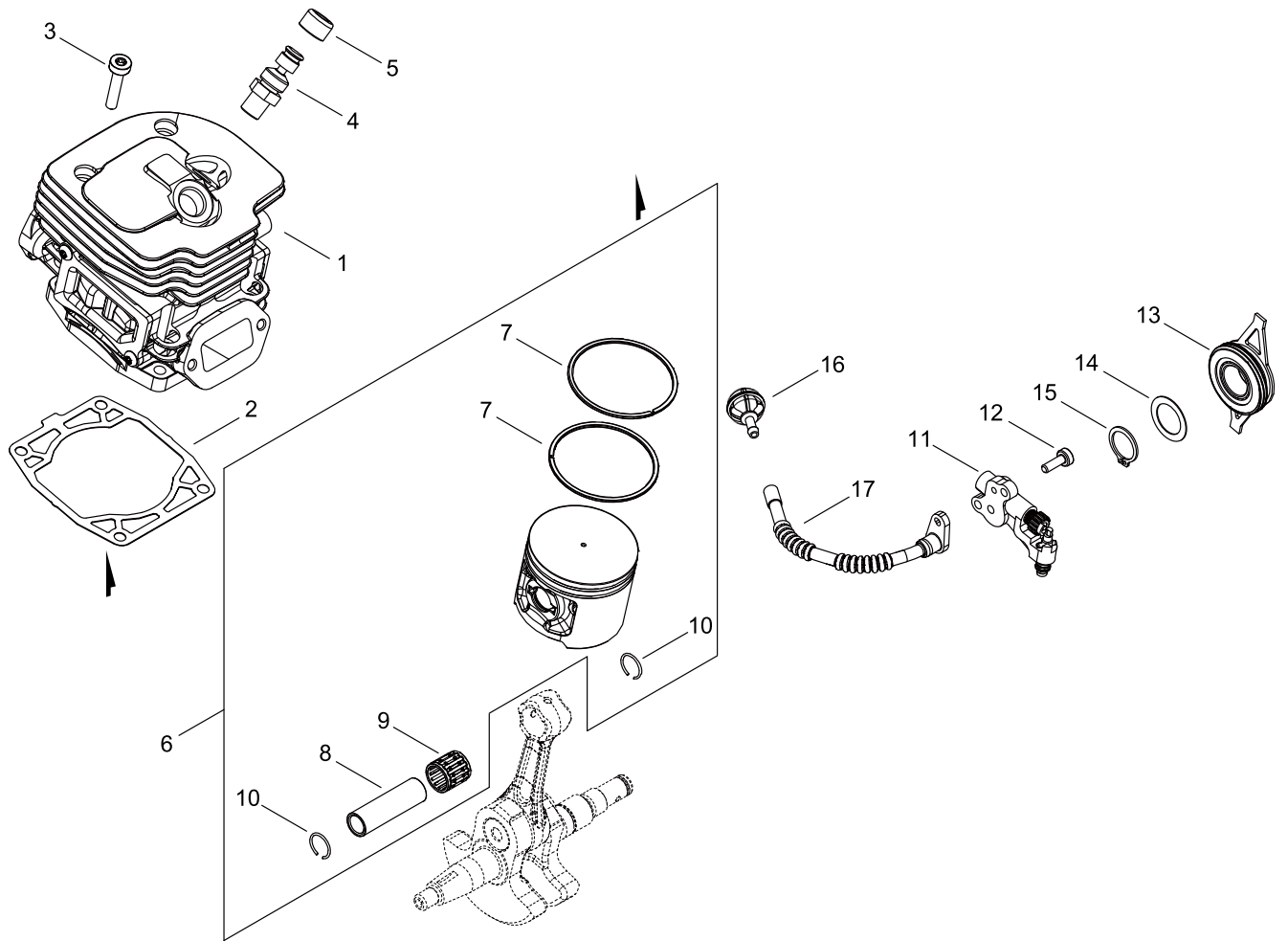
Last updated date

08/Mar/2023

TABLE OF CONTENTS

CYLINDER, PISTON	1
CRANKCASE	3
MAGNETO.....	5
AIR CLEANER, CARBURETOR.....	7
CARBURETOR.....	9
MUFFLER.....	11
RECOIL STARTER.....	13
HANDLE.....	15
CHAIN BRAKE.....	19
ACCESSORIES	21
GUIDE BAR, CHAIN.....	23

CYLINDER, PISTON



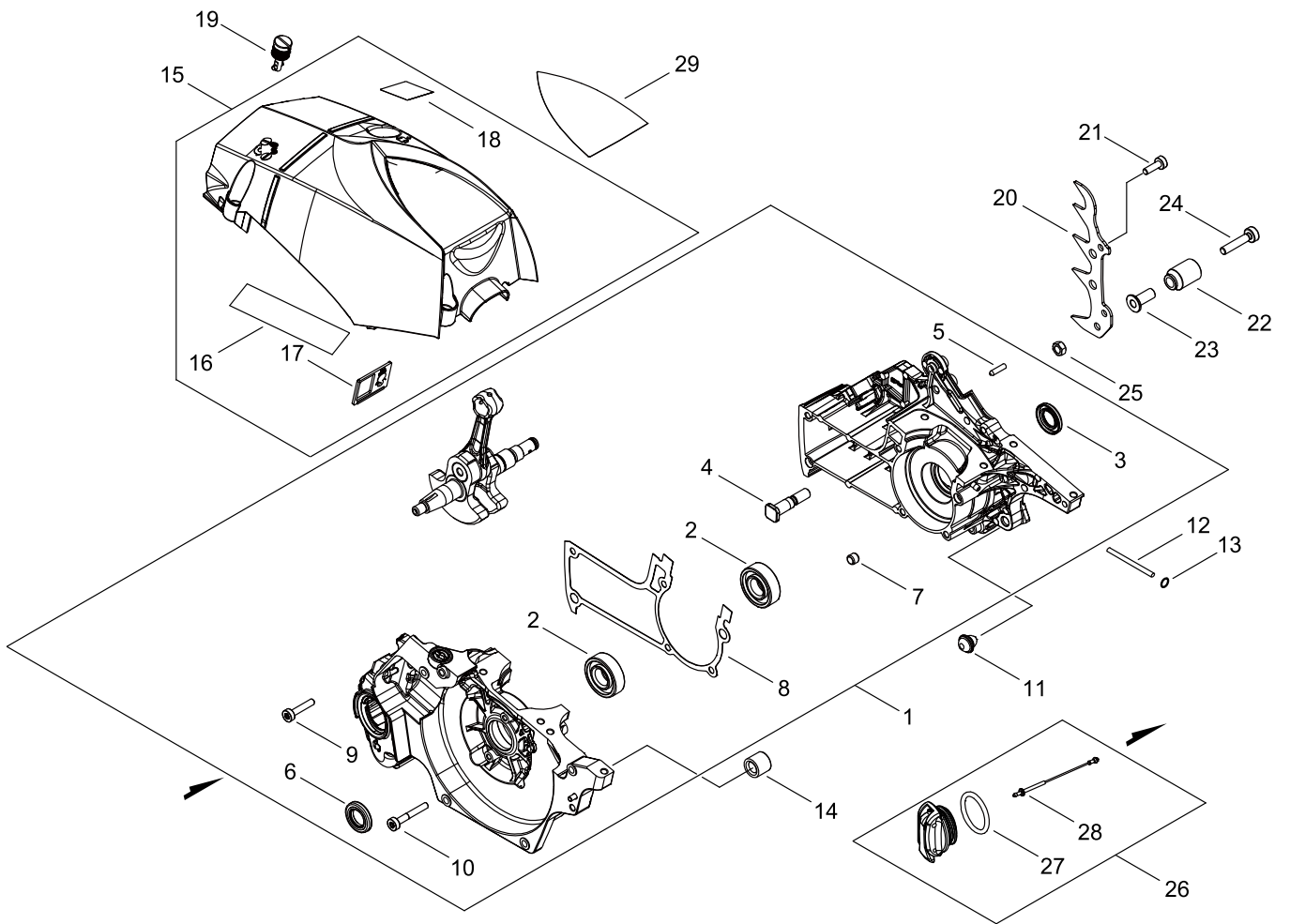
CYLINDER, PISTON

Key No.	LV (+)	Parts Number	Parts Description	Qty	Standard	Class
1		P100-009400	CYLINDER ASY	1		C
2		V100-000900	GASKET,CYL	1	T:0.5	B
3		V805-000220	BOLT, TORX 5	4	TB-5*25 12.9	C
4		A014-000130	RELEASE ASY., COMP.	1		B
5		V141-000090	GROMMET,PLUG	1		B
6		P100-009410	PISTON KIT	1		C
7	+	A101-000790	RING, PISTON	2	51*1.2*2.1	B
8	+	V610-000040	PIN,ENG 12	1	12*9*39.8	D
9	+	V557-000080	BEARING,NEEDLE 12	1	12*15*14.8/15	C
10	+	V580-000000	RING,END	2		C
11		C022-000220	AUTO-OILER ASSEMBLY	1	ZP05	C
12		V804-000050	BOLT, TORX 4	2	TB-4*12 10.9	C
13		V652-000300	GEAR,WORM	1		B
14		V311-000090	WASHER,CIRCULAR 16-1	1	15.5*22.5*0.5	C
15		900701-00015	RETAINING RING	1	CS-15	
16		436205-14730	STRAINER, OIL	1		B
17		V470-002370	PIPE	1		C

Class : Consumable class

A:Fast moving parts B:Semi-fast moving parts C:Slow moving parts D:Order only as needed

CRANKCASE



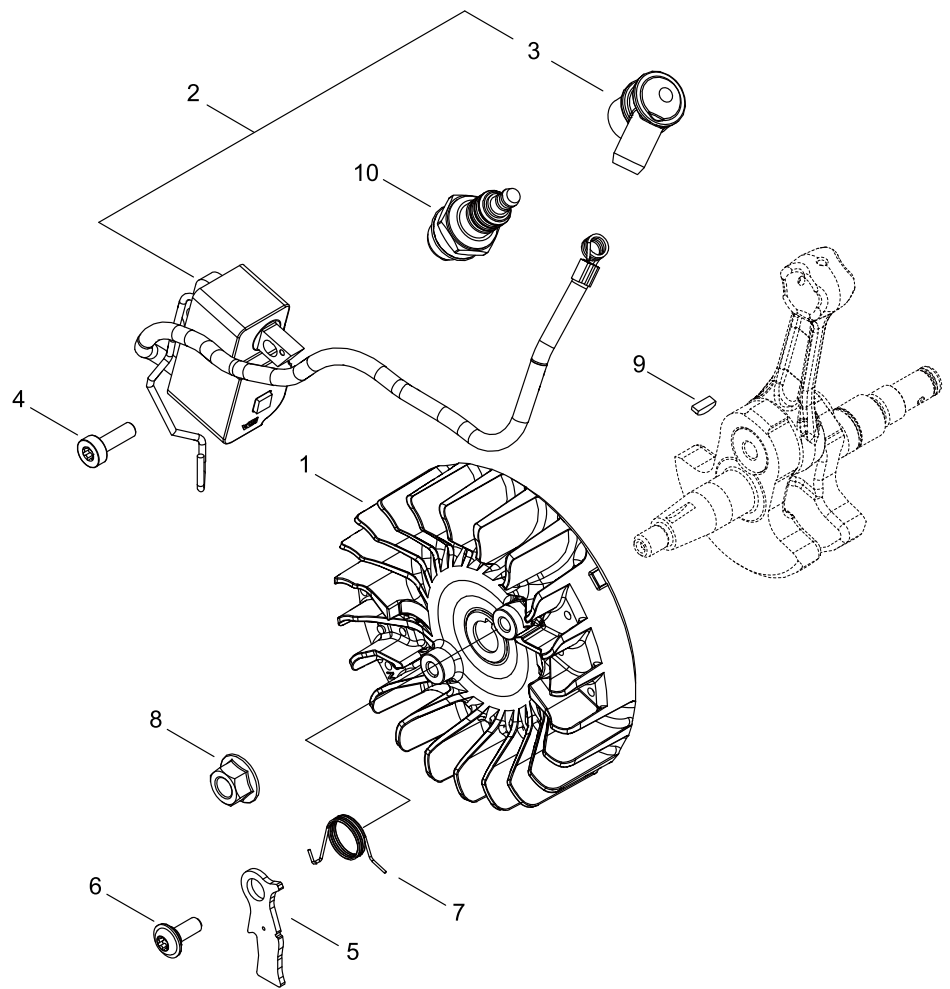
CRANKCASE

Key No.	LV (+)	Parts Number	Parts Description	Qty	Standard	Class
1		P100-010230	CRANKCASE SET	1		C
2	+	94036-46202	BEARING, BALL	2	6202	
3	+	V508-000140	SEAL,OIL 15	1	15*26*4.4	C
4	+	V225-000380	BOLT,STUD 8	2		C
5	+	A356-000120	ELEMENT	1		B
6	+	V508-000140	SEAL,OIL 15	1	15*26*4.4	C
7	+	101522-16430	PIN, DOWEL	2		C
8	+	V102-000350	GASKET,CRANKCASE	1		B
9	+	V805-000220	BOLT, TORX 5	2	TB-5*25 12.9	C
10	+	V805-000290	BOLT, TORX 5	4	TB-5*35 12.9	C
11		V420-005590	CUSHION	1		B
12		V470-002420	PIPE	1	3*6(8)*130	C
13		V490-000500	CLIP	1		C
14		V420-005600	CUSHION	1		B
15		P100-010080	CYLINDER COVER ASY	1		C
16	+	X502-001060	LABEL,ECHO	1		D
17	+	A219-000040	SHUTTER,AIR	1		C
18	+	890345-39231	LABEL,CAUTION	1		D
19		V641-000270	PIN,SNAP	3		C
20		C304-000350	SPIKED	1		C
21		V805-000250	BOLT, TORX 5	2	TB-5*16 12.9	C
22		C310-000030	CATCHER,CHAIN	1		B
23		V354-000650	COLLAR,6	1		C
24		V856-000010	BOLT,TORX 6	1	12.9	C
25		900560-00006	NUT, LOCK	1	6	
26		P100-008410	CAP,OIL ASY	1		C
27	+	900720-20029	O-RING	1	P-29	
28	+	A365-000150	CONNECTOR,CAP	1		B
29		X503-015470	LABEL,MODEL	1	CS-7310SX COVER	D

Class : Consumable class

A:Fast moving parts B:Semi-fast moving parts C:Slow moving parts D:Order only as needed

MAGNETO



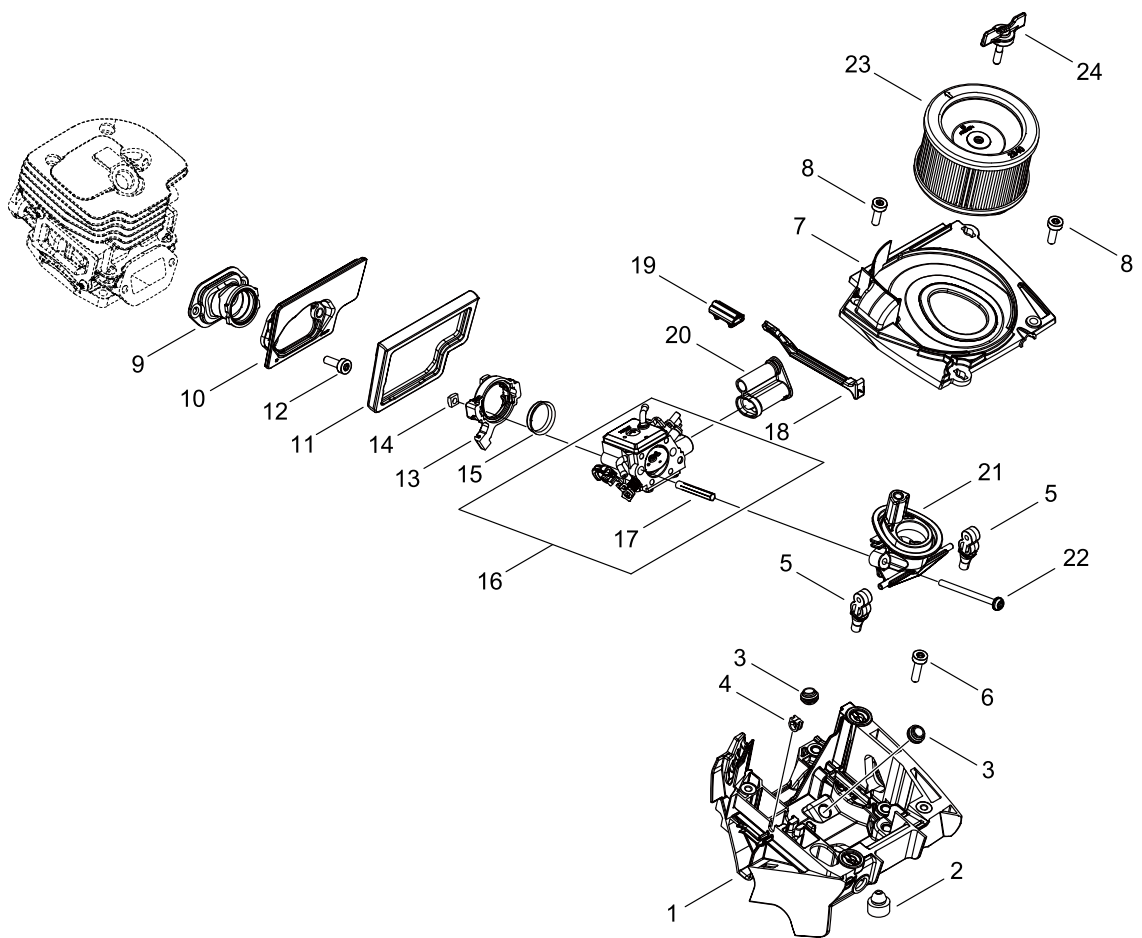
MAGNETO

Key No.	LV (+)	Parts Number	Parts Description	Qty	Standard	Class
1		A409-001420	ROTOR, MAGNETO	1	AG12	C
2		P200-001660	COIL, IGNITION ASY	1		C
3	+	A427-000190	CAP, SPARK PLUG	1		C
4		V805-000150	BOLT, TORX 5	2	TB-5*16 10.9	C
5		A514-000350	PAWL	2		C
6		V203-002250	BOLT, 5	2		C
7		V452-001950	SPRING, TORSION	2		B
8		900515-00008	NUT, FLANGE	1	8	
9		100142-30830	KEY, WOODRUFF	1		C
10		A425-000080	SPARKPLUG	1	BPMR8Y-5	A

Class : Consumable class

A:Fast moving parts B:Semi-fast moving parts C:Slow moving parts D:Order only as needed

AIR CLEANER, CARBURETOR



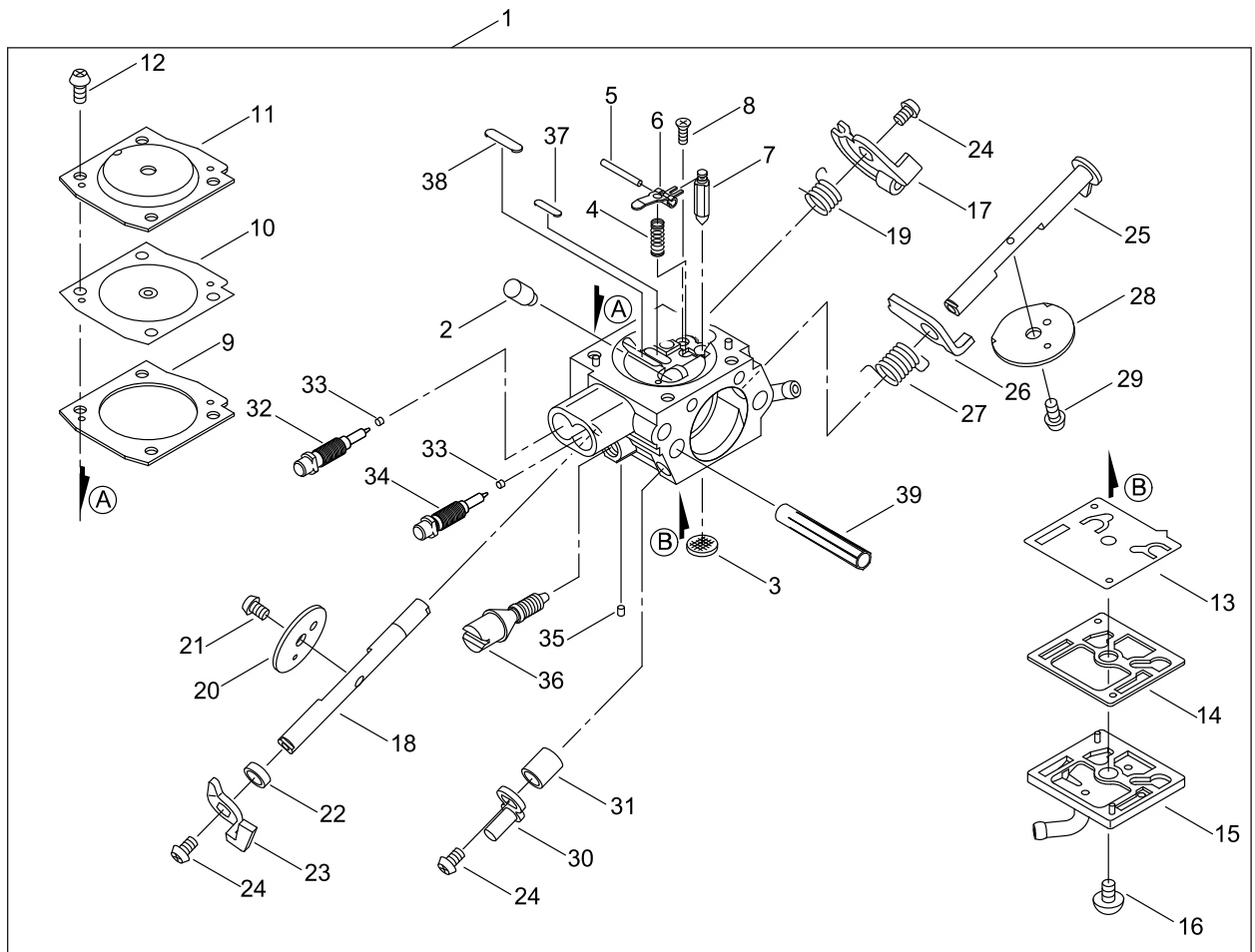
AIR CLEANER, CARBURETOR

Key No.	LV (+)	Parts Number	Parts Description	Qty	Standard	Class
1		A220-000090	CASE,CARBURETOR	1		C
2		V420-003800	CUSHION	1		B
3		V137-000160	GROMMET,FUEL	2		C
4		V136-000140	GROMMET,LEAD	1		C
5		V420-005620	CUSHION	2		B
6		V835-000030	BOLT, TORX 5	4	TB-5*20 10.9	C
7		A222-000000	LID,CARB CASE	1		C
8		V805-000150	BOLT, TORX 5	2	TB-5*16 10.9	C
9		A202-000371	BELLOWS, INTAKE	1		C
10		A200-001281	INSULATOR, INTAKE	1		C
11		V420-005610	CUSHION	1		B
12		V805-000150	BOLT, TORX 5	2	TB-5*16 10.9	C
13		A206-000070	HOLDER, BELLOWS	1		C
14		92140-04000	NUT, SQUARE	2	4	C
15		V361-000580	COLLAR,20	1	20.2*23.3*5	C
16		P200-001230	CARBURETOR ASY	1		B
17	+	V352-000340	COLLAR,4	2		C
18		A241-000410	KNOB, CHOKE	1		C
19		V130-000190	GROMMET,CHOKE	1		C
20		V131-000230	GROMMET,NEEDLE	1		C
21		A204-000280	ELBOW, CARBURETOR	1		C
22		V202-000790	BOLT,4	2	M4*55	C
23		A226-002370	ELEMENT, AIR FILTER	1	#2940	A
24		M613-000330	KNOB	1		D

Class : Consumable class

A:Fast moving parts B:Semi-fast moving parts C:Slow moving parts D:Order only as needed

CARBURETOR



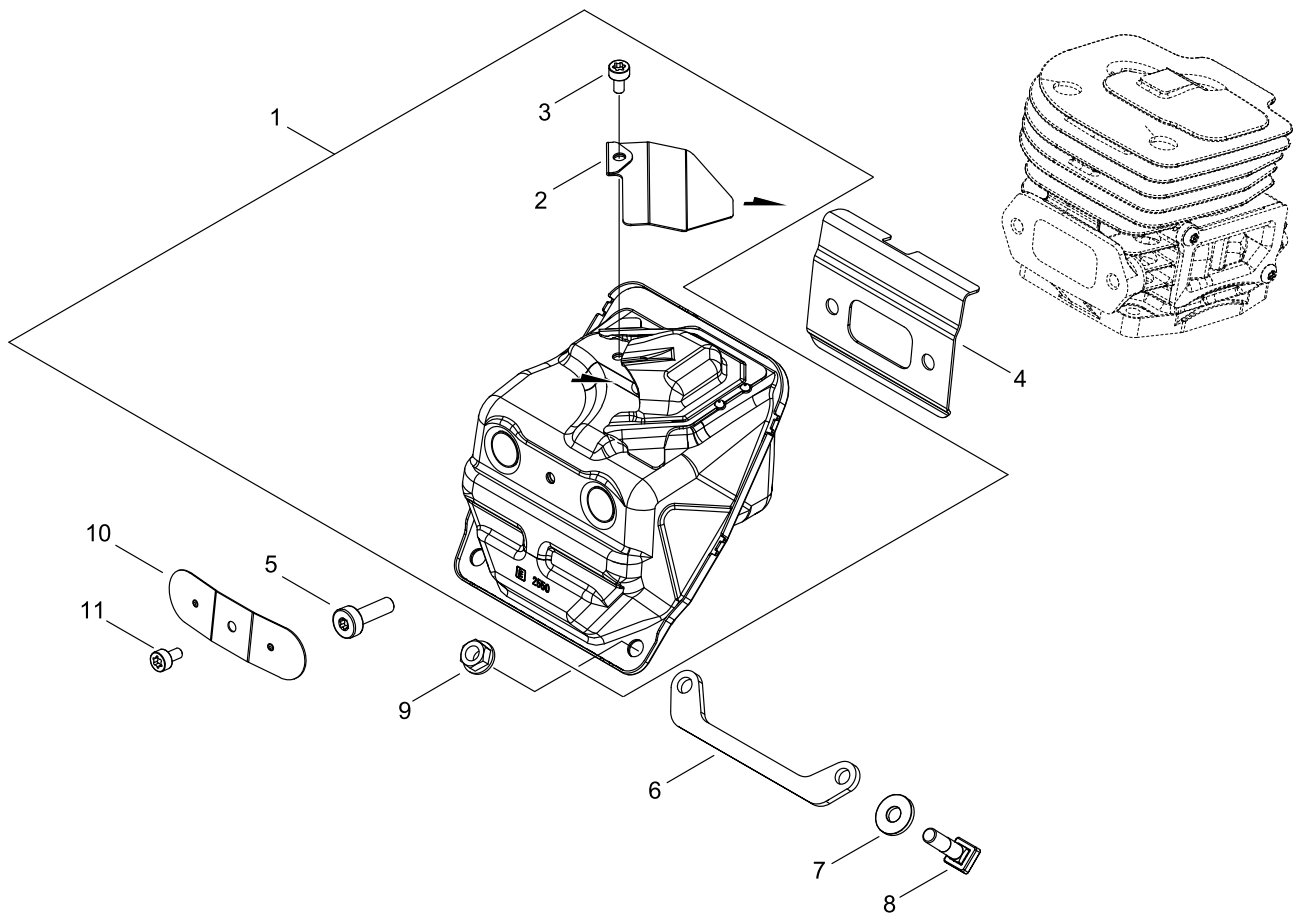
CARBURETOR

Key No.	LV (+)	Parts Number	Parts Description	Qty	Standard	Class
1		P200-001230	CARBURETOR ASY	1		B
2	+	P005-004390	NOZZLE ASY	1		D
3	+	P005-000860	SCREEN, FUEL INLET	1		B
4	+	P005-004400	METERING SPRING	1		D
5	+	125338-13930	PIN, METERING ARM	1		D
6	+	P005-004560	LEVER, METERING	1		D
7	+	125337-06960	VALVE, INLET NEEDLE	1		D
8	+	P005-004550	SCREW	1		D
9	+	P005-004570	GASKET, METERING	1		A
10	+	P005-004580	DIAPHRAGM, METERING	1		A
11	+	P005-001850	COVER, DIAPHRAGM	1		D
12	+	125344-52130	SCREW	4		D
13	+	P005-004590	DIAPHRAGM, PUMP	1		A
14	+	P005-001430	GASKET, PUMP	1		A
15	+	P005-004410	PUMP COVER ASY	1		D
16	+	P005-004420	SCREW	1		D
17	+	P005-004430	THROTTLE LEVER	1		D
18	+	P005-004440	THROTTLE SHAFT	1		D
19	+	P005-004450	THROTTLE SPRING	1		D
20	+	P005-004460	VALVE	1		D
21	+	P005-003170	SCREW	1		D
22	+	P005-004600	COLLAR	1		D
23	+	P005-004470	THROTTLE LEVER	1		D
24	+	125348-13930	SCREW	3		D
25	+	P005-004480	CHOKE SHAFT	1		D
26	+	P005-004490	CHOKE LEVER	1		D
27	+	P005-004610	SPRING, CHOKE RETURN	1		D
28	+	P005-004500	VALVE	1		D
29	+	125314-51230	SCREW	1	3*4.5	D
30	+	P005-004510	CHOKE LEVER	1		D
31	+	P005-004620	COLLAR	1		D
32	+	P005-004660	SCREW	1		D
33	+	125363-12820	RETAINER	2		D
34	+	P005-004670	SCREW	1		D
35	+	125378-13930	PIECE, FRICTION	1		D
36	+	P005-004540	SCREW	1		D
37	+	125345-15130	PLUG, WELCH	1		C
38	+	P005-000410	PLUG, WELCH	1		D
39	+	V352-000340	COLLAR,4	2		C

Class : Consumable class

A:Fast moving parts B:Semi-fast moving parts C:Slow moving parts D:Order only as needed

MUFFLER



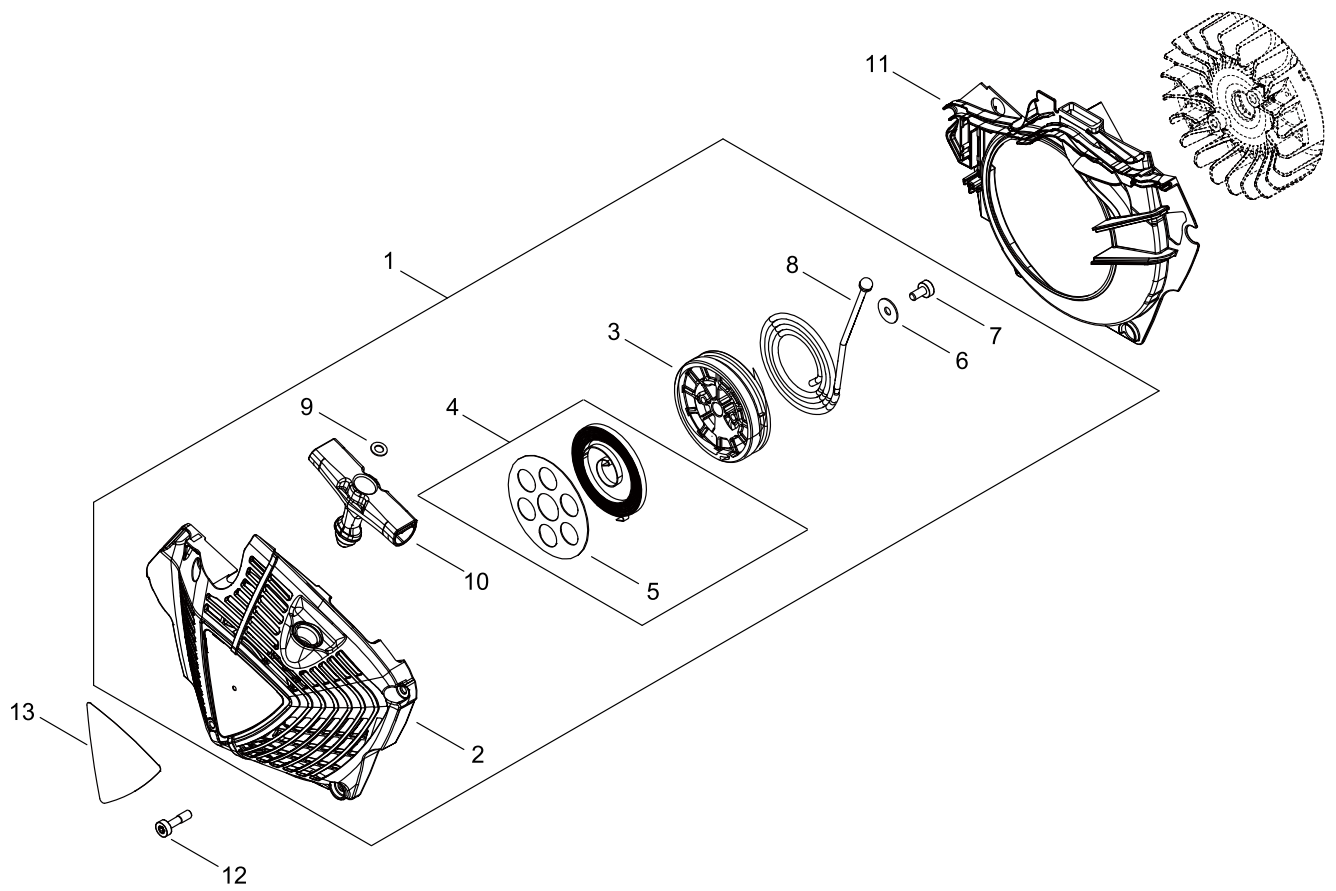
MUFFLER

Key No.	LV (+)	Parts Number	Parts Description	Qty	Standard	Class
1		P100-009450	MUFFLER ASY	1		B
2	+	A310-000580	SCREEN, ARRESTOR	1		B
3	+	V804-000030	BOLT, TORX 4	1	TB-4*8 10.9	C
4		V104-002540	GASKET,EXHAUST	1	T:1.0	A
5		V806-000010	BOLT, TORX 6	2	TB-6*20 10.9	C
6		V150-004750	PLATE,EYE	1	T:3.0	C
7		V304-000540	WASHER,CIRCULAR 6	2	6.3*16*2	C
8		V204-001880	BOLT,6	2		C
9		900515-00006	NUT, FLANGE	2	6	
10		A301-000100	PLATE, MUFFLER	1	T:0.5	C
11		V804-000030	BOLT, TORX 4	1	TB-4*8 10.9	C

Class : Consumable class

A:Fast moving parts B:Semi-fast moving parts C:Slow moving parts D:Order only as needed

RECOIL STARTER



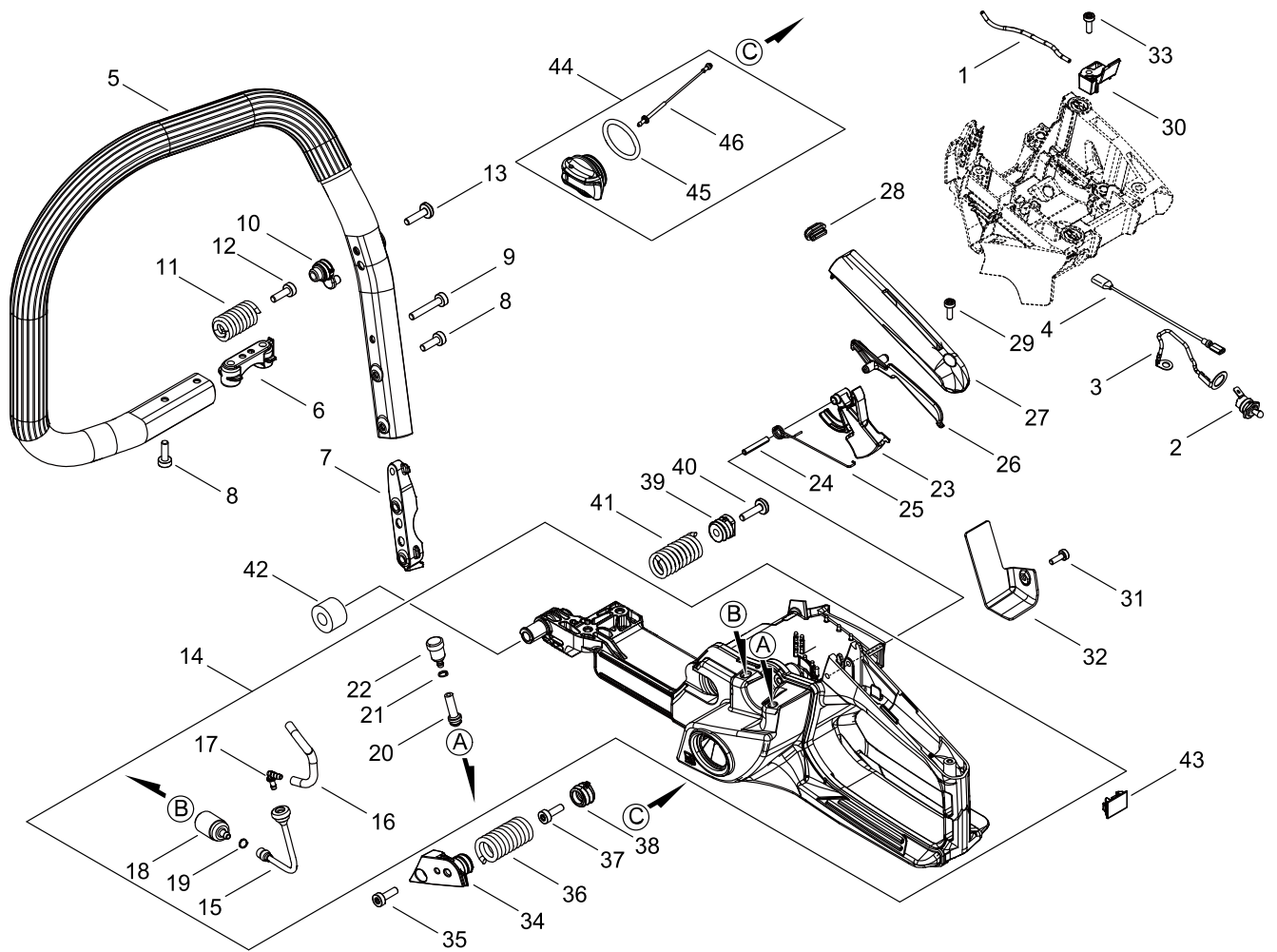
RECOIL STARTER

Key No.	LV (+)	Parts Number	Parts Description	Qty	Standard	Class
1		A051-003540	STARTER,RECOIL ASY	1		B
2	+	P100-009460	CASE,STARTER	1		C
3	+	A506-000570	REEL, ROPE	1		C
4	+	P100-009470	SPRING KIT, REWIND	1		B
5	++	A503-000080	PLATE, STARTER	1		C
6	+	177214-02830	WASHER	1	5.2*16*1.0T	C
7	+	V805-000130	BOLT, TORX 5	1	TB-5*10 10.9	C
8	+	A509-000510	ROPE	1		B
9	+	900600-00005	WASHER	1	5	
10	+	A511-000300	GRIP,STARTER	1		C
11		A172-003650	COVER,FAN	1		C
12		V805-000410	BOLT, TORX 5	4	TB-5*20 10.9	C
13		X547-003600	LABEL,ECHO	1		D

Class : Consumable class

A:Fast moving parts B:Semi-fast moving parts C:Slow moving parts D:Order only as needed

HANDLE



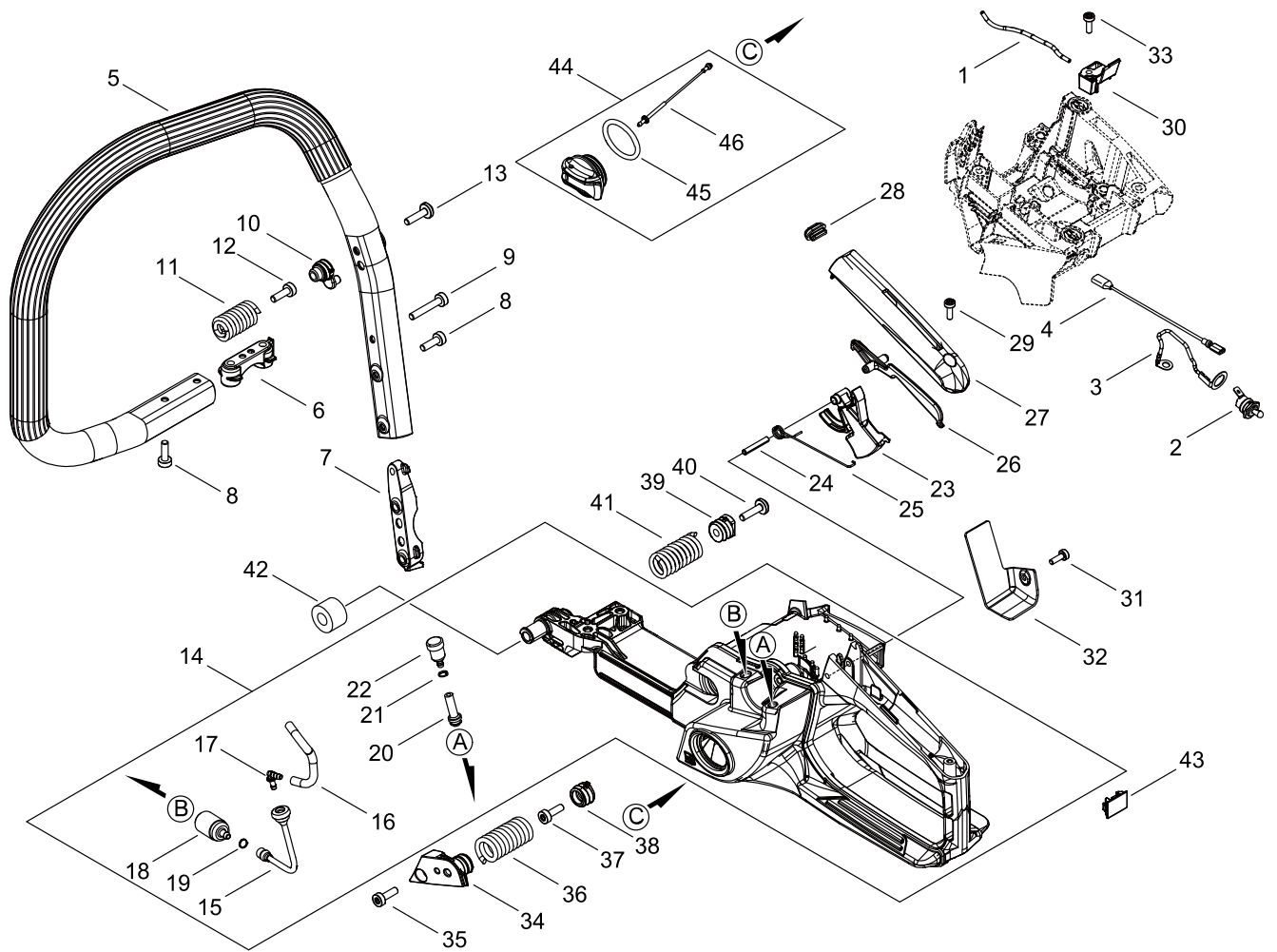
HANDLE

Key No.	LV (+)	Parts Number	Parts Description	Qty	Standard	Class
1		V430-005290	CABLE,BOWDEN	1		B
2		A440-003490	SWITCH, ON OFF	1		C
3		V485-003490	LEAD	1	L90	C
4		V485-003500	LEAD	1	L312	C
5		C400-001750	HANDLE, FRONT	1		C
6		C405-000650	BRACKET,HANDLE	1		C
7		C405-000660	BRACKET,HANDLE	1		C
8		V835-000000	BOLT, TORX 5	4		C
9		V805-000360	BOLT, TORX 5	1	TB-5*30 ALL10.9	C
10		V456-000460	HOLDER,SPRING	1		C
11		V450-002410	SPRING,COMPRESSION	1		B
12		V835-000000	BOLT, TORX 5	1		C
13		V806-000000	BOLT, TORX 6	1	TT-6*20 DG 10.9	C
14		P100-009380	HANDLE ASY, REAR	1		C
15	+	V470-001991	PIPE	1	1.8*4*105	C
16	+	V471-005680	PIPE	1	3.5*6*75	C
17	+	V186-000530	JOINT,PIPE	1		C
18	+	A369-000460	STRAINER, FUEL	1		A
19	+	V490-000500	CLIP	1		C
20	+	V470-002410	PIPE	1		C
21	+	V490-001230	CLIP	1		C
22	+	131300-56431	VENT ASSEMBLY, FUEL	1		B
23		C450-001120	CONTROL, THROTTLE	1		C
24		900345-40025	PIN, SPRING	1	4*25	
25		V452-001970	SPRING,TORSION	1		B
26		C460-000660	LOCKOUT, THROTTLE	1		C
27		C411-000300	LID,HANDLE	1		C
28		V420-005580	CUSHION	1		B
29		V804-000000	BOLT, TORX 4	1	TT-4*12 DG 10.9	C
30		C480-000240	GUIDE, CABLE	1		C
31		V804-000000	BOLT, TORX 4	1	TT-4*12 DG 10.9	C
32		C302-000100	PAD, GUARD	1		B
33		V804-000000	BOLT, TORX 4	1	TT-4*12 DG 10.9	C
34		V456-000450	HOLDER,SPRING	1		C
35		V835-000000	BOLT, TORX 5	1		C
36		V450-002420	SPRING,COMPRESSION	1		B
37		V835-000000	BOLT, TORX 5	1		C
38		V456-000430	HOLDER,SPRING	1	M SIDE 奥	C
39		V456-000440	HOLDER,SPRING	1		C
40		V806-000000	BOLT, TORX 6	1	TT-6*20 DG 10.9	C
41		V450-002430	SPRING,COMPRESSION	1		B
42		V404-000260	CUSHION,10	1	NOK U704	B
43		V141-000180	GROMMET,PLUG	1		B
44		P100-008550	CAP ASY	1		C

Class : Consumable class

A:Fast moving parts B:Semi-fast moving parts C:Slow moving parts D:Order only as needed

HANDLE



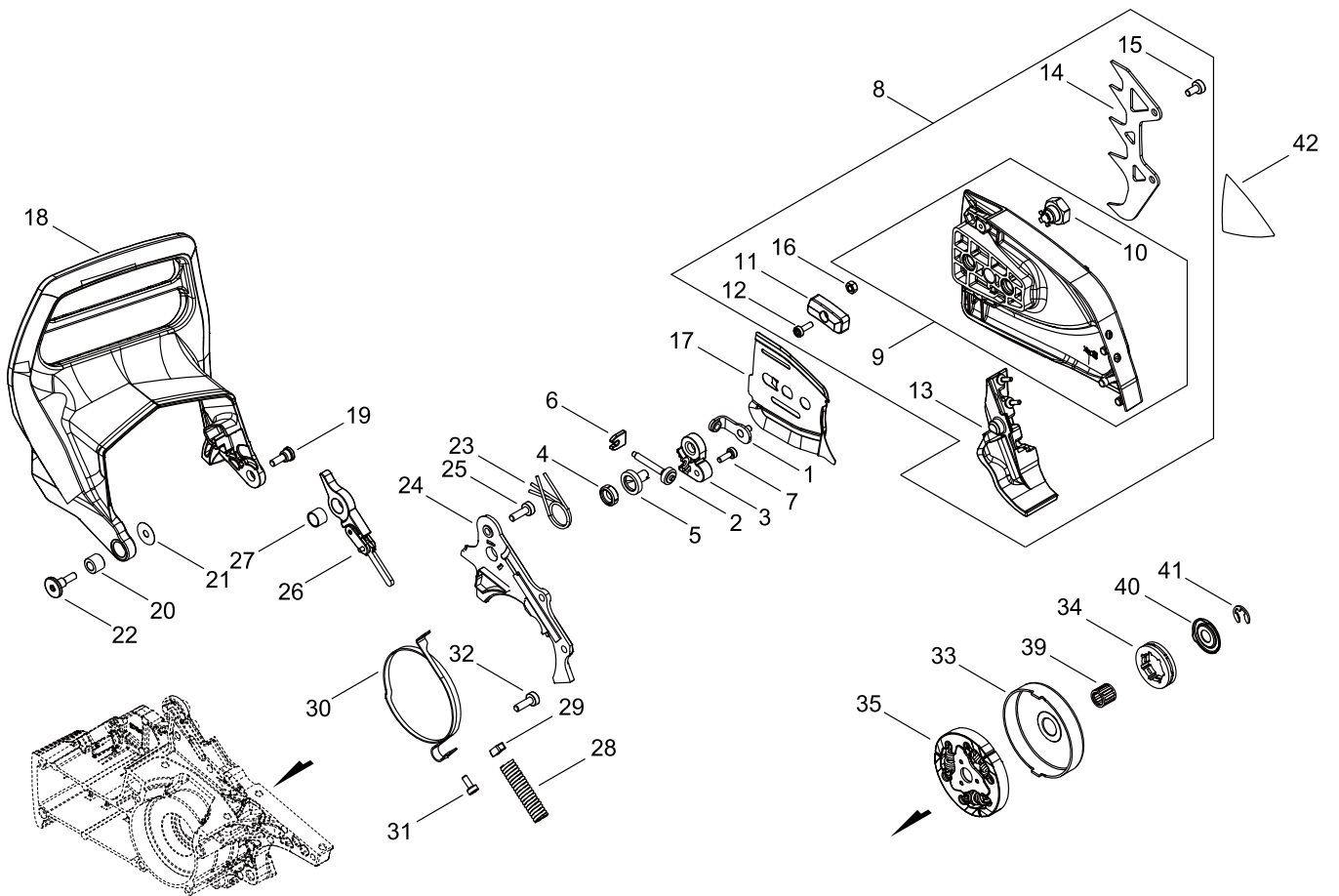
HANDLE

Key No.	LV (+)	Parts Number	Parts Description	Qty	Standard	Class
45	+	900720-20029	O-RING	1	P-29	
46	+	A365-000150	CONNECTOR,CAP	1		B

Class : Consumable class

A:Fast moving parts B:Semi-fast moving parts C:Slow moving parts D:Order only as needed

CHAIN BRAKE



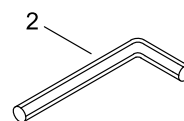
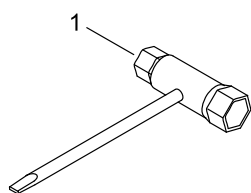
CHAIN BRAKE

Key No.	LV (+)	Parts Number	Parts Description	Qty	Standard	Class
1		C309-000210	TENSIONER, CHAIN	1		C
2		V203-002460	BOLT,5	1		C
3		V355-000980	COLLAR,8	1		C
4		V356-000940	COLLAR,10	1		C
5		V652-000270	GEAR,WORM	1		B
6		C316-000100	GUIDE, SHAFT	1		D
7		V804-000050	BOLT, TORX 4	1	TB-4*12 10.9	C
8		P100-010090	GUARD, SPROCKET ASY	1		C
9	+	C300-001230	GUARD, SPROCKET	1		C
10	++	V265-000660	NUT,8	2	M8*1.25*7.2	C
11	+	C301-000010	PIECE,SPROCKET GUARD	2		C
12	+	V804-000050	BOLT, TORX 4	2	TB-4*12 10.9	C
13	+	C302-000110	PAD, GUARD	1		B
14	+	C304-000340	SPIKED	1		C
15	+	V805-000130	BOLT, TORX 5	2	TB-5*10 10.9	C
16	+	900560-00005	NUT, LOCK	2	5	
17		C305-000550	PLATE,SPROCKET GUARD	1		C
18		C320-000600	LEVER, BRAKE	1		C
19		V203-002510	BOLT,5	1	TB5*12	C
20		J211-000430	BUSH	1		C
21		V303-000060	WASHER,CIRCULAR 5	1	5.5*18*0.4	C
22		V203-002450	BOLT,5	1	TB5*12	C
23		V452-001960	SPRING,TORSION	1		B
24		C345-000740	COVER,BRAKE	1		C
25		V835-000000	BOLT, TORX 5	3		C
26		C334-000111	CONNECTOR, BRAKE	1	ASSY	C
27		V356-000470	COLLAR,10	1	12*10*T1.0	C
28		V450-000740	SPRING,COMPRESSION	1	12*70.5	B
29		V376-000450	SPACER	1		C
30		C328-000370	BAND, BRAKE	1		C
31		V804-000110	BOLT, TORX 4	1	TB-4*10 12.9	C
32		V805-000150	BOLT, TORX 5	1	TB-5*16 10.9	C
33		A556-001930	DRUM, CLUTCH	1		B
34		175033-14731	SPROCKET, RIM 68210S	1		B
35		A056-000880	CLUTCH ASY	1		B
39		V555-000010	BEARING,NEEDLE 10	1		B
40		V307-000520	WASHER,CIRCULAR 10	1		C
41		V583-000440	RING	1	8.1 T1.2	C
42		X502-001240	LABEL,ECHO	1	D SIDE	D

Class : Consumable class

A:Fast moving parts B:Semi-fast moving parts C:Slow moving parts D:Order only as needed

ACCESSORIES












ACCESSORIES

Key No.	LV (+)	Parts Number	Parts Description	Qty	Standard	Class
1		X602-000080	TOOL,WRENCH	1	13*19 L180	D
2		X605-000190	TOOL,L WRENCH	1	T27 120*80	D

Class : Consumable class

A:Fast moving parts B:Semi-fast moving parts C:Slow moving parts D:Order only as needed

GUIDE BAR, CHAIN

Pitch ピッチ	Gauge ゲージ	Length 長さ	Guide Bar ガイドバー		Saw Chain ソーチェーン		Chain Scabbard チェーンスカバード		Hard Nose ハード ノーズ	Sprocket Nose スプロケット ノーズ
			Key №	Type 形式	Key №	Type 形式	Key №	Length 長さ (cm)		
3/8 9.53	0.058 1.47	50	A1	U50R73-72AA- ED	A2	73EXL-72	A3	52		
3/8 9.53	0.058 1.47	60	B1	U60R73-84AA- ED	B2	73EXL-84	B3	65		
3/8 9.53	0.058 1.47	70	C1	U70R73-92AA- ED	C2	73EXL-92	C3	76		
3/8 9.53	0.058 1.47	45	D1	U45R73-68AA- ED	D2	73EXL-68	D3	52		
3/8 9.53	0.058 1.47	45	E1	U45R73-68AA- ED	E2	73LPX-68	E3	52		
3/8 9.53	0.058 1.47	50	F1	U50R73-72AA- ED	F2	73LPX-72	F3	52		
3/8 9.53	0.058 1.47	60	G1	U60R73-84AA- ED	G2	73LPX-84	G3	65		
3/8 9.53	0.058 1.47	70	H1	U70R73-92AA- ED	H2	73LPX-92	H3	76		

GUIDE BAR, CHAIN

Key No.	LV (+)	Parts Number	Parts Description	Qty	Standard	Class
A1		X126-000390	BAR,GUIDE 50	1	U50R73-72AA- ED	A
A2		X266-000090	CHAIN,SAW	1	73EXL-72	A
A3		X490-000720	SCABBARD,CHAIN	1		D
B1		X128-000110	BAR,GUIDE 60	1	U60R73-84AA- ED	A
B2		X268-000060	CHAIN,SAW	1	73EXL-84	A
B3		X490-000710	SCABBARD,CHAIN	1		D
C1		X130-000040	BAR,GUIDE 70	1	U70R73-92AA- ED	A
C2		X270-000080	CHAIN,SAW	1	73EXL-92E	A
C3		X490-001110	SCABBARD,CHAIN	1		D
D1		X125-000470	BAR,GUIDE 45	1	U45R73-68AA- ED	A
D2		X265-000090	CHAIN,SAW	1	73EXL068E	A
D3		X490-000720	SCABBARD,CHAIN	1		D
E1		X125-000470	BAR,GUIDE 45	1	U45R73-68AA- ED	A
E2		X265-000080	CHAIN,SAW	1	73LPX068E	A
E3		X490-000720	SCABBARD,CHAIN	1		D
F1		X126-000390	BAR,GUIDE 50	1	U50R73-72AA- ED	A
F2		X266-000060	CHAIN,SAW	1	73LPX-72	A
F3		X490-000720	SCABBARD,CHAIN	1		D
G1		X128-000110	BAR,GUIDE 60	1	U60R73-84AA- ED	A
G2		X268-000040	CHAIN,SAW	1	73LPX-84	A
G3		X490-000710	SCABBARD,CHAIN	1		D
H1		X130-000040	BAR,GUIDE 70	1	U70R73-92AA- ED	A
H2		X270-000050	CHAIN,SAW	1	73LPX-92	A
H3		X490-001110	SCABBARD,CHAIN	1		D

Class : Consumable class

A:Fast moving parts B:Semi-fast moving parts C:Slow moving parts D:Order only as needed

NUMERICAL PARTS INDEX

Part No	Part description	Page	Part No	Part description	Page	Part No	Part description	Page
100142-30830	KEY, WOODRUFF	6	A369-000460	STRAINER, FUEL	16	P005-004430	THROTTLE LEVER	10
101522-16430	PIN, DOWEL	4	A409-001420	ROTOR, MAGNETO	6	P005-004440	THROTTLE SHAFT	10
125314-51230	SCREW	10	A425-000080	SPARKPLUG	6	P005-004450	THROTTLE SPRING	10
125337-06960	VALVE,INLET NEEDLE	10	A427-000190	CAP,SPARK PLUG	6	P005-004460	VALVE	10
125338-13930	PIN, METERING ARM	10	A440-003490	SWITCH, ON OFF	16	P005-004470	THROTTLE LEVER	10
125344-52130	SCREW	10	A503-000080	PLATE, STARTER	14	P005-004480	CHOKE SHAFT	10
125345-15130	PLUG, WELCH	10	A506-000570	REEL, ROPE	14	P005-004490	CHOKE LEVER	10
125348-13930	SCREW	10	A509-000510	ROPE	14	P005-004500	VALVE	10
125363-12820	RETAINER	10	A511-000300	GRIP,STARTER	14	P005-004510	CHOKE LEVER	10
125378-13930	PIECE, FRICTION	10	A514-000350	PAWL	6	P005-004540	SCREW	10
131300-56431	VENT ASSEMBLY, FUEL	16	A556-001930	DRUM, CLUTCH	20	P005-004550	SCREW	10
175033-14731	SPROCKET, RIM 68210S	20	C022-000220	AUTO-OILER ASSEMBLY	2	P005-004560	LEVER, METERING	10
177214-02830	WASHER	14	C300-001230	GUARD, SPROCKET	20	P005-004570	GASKET, METERING	10
436205-14730	STRAINER, OIL	2	C301-000010	PIECE,SPROCKET GUARD	20	P005-004580	DIAPHRAGM ,METERING	10
890345-39231	LABEL,CAUTION	4	C302-000100	PAD, GUARD	16	P005-004590	DIAPHRAGM, PUMP	10
900345-40025	PIN, SPRING	16	C302-000110	PAD, GUARD	20	P005-004600	COLLAR	10
900515-00006	NUT, FLANGE	12	C304-000340	SPIKED	20	P005-004610	SPRING, CHOKE RETURN	10
900515-00008	NUT, FLANGE	6	C304-000350	SPIKED	4	P005-004620	COLLAR	10
900560-00005	NUT, LOCK	20	C305-000550	PLATE,SPROCKET GUARD	20	P005-004660	SCREW	10
900560-00006	NUT, LOCK	4	C309-000210	TENSIONER, CHAIN	20	P005-004670	SCREW	10
900600-00005	WASHER	14	C310-000030	CATCHER,CHAIN	4	P100-008410	CAP,OIL ASY	4
900701-00015	RETAINING RING	2	C316-000100	GUIDE, SHAFT	20	P100-008550	CAP ASY	16
900720-20029	O-RING	4	C320-000600	LEVER, BRAKE	20	P100-009380	HANDLE ASY, REAR	16
900720-20029	O-RING	18	C328-000370	BAND, BRAKE	20	P100-009400	CYLINDER ASY	2
92140-04000	NUT, SQUARE	8	C334-000111	CONNECTOR, BRAKE	20	P100-009410	PISTON KIT	2
94036-46202	BEARING, BALL	4	C345-000740	COVER,BRAKE	20	P100-009450	MUFFLER ASY	12
A014-000130	RELEASE ASY., COMP.	2	C400-001750	HANDLE, FRONT	16	P100-009460	CASE,STARTER	14
A051-003540	STARTER,RECOIL ASY	14	C405-000650	BRACKET,HANDLE	16	P100-009470	SPRING KIT, REWIND	14
A056-000880	CLUTCH ASY	20	C405-000660	BRACKET,HANDLE	16	P100-010080	CYLINDER COVER ASY	4
A101-000790	RING, PISTON	2	C411-000300	LID,HANDLE	16	P100-010090	GUARD, SPROCKET ASY	20
A172-003650	COVER,FAN	14	C450-001120	CONTROL, THROTTLE	16	P100-010230	CRANKCASE SET	4
A200-001281	INSULATOR, INTAKE	8	C460-000660	LOCKOUT, THROTTLE	16	P200-001230	CARBURETOR ASY	8
A202-000371	BELLOWS, INTAKE	8	C480-000240	GUIDE, CABLE	16	P200-001230	CARBURETOR ASY	10
A204-000280	ELBOW, CARBURETOR	8	J211-000430	BUSH	20	P200-001660	COIL, IGNITION ASY	6
A206-000070	HOLDER, BELLOWS	8	M613-000330	KNOB	8	V100-000900	GASKET,CYL	2
A219-000040	SHUTTER,AIR	4	P005-000410	PLUG, WELCH	10	V102-000350	GASKET,CRANKCASE	4
A220-000090	CASE,CARBURETOR	8	P005-000860	SCREEN, FUEL INLET	10	V104-002540	GASKET,EXHAUST	12
A222-000000	LID,CARB CASE	8	P005-001430	GASKET, PUMP	10	V130-000190	GROMMET,CHOKE	8
A226-002370	ELEMENT, AIR FILTER	8	P005-001850	COVER, DIAPHRAGM	10	V131-000230	GROMMET,NEEDLE	8
A241-000410	KNOB, CHOKE	8	P005-003170	SCREW	10	V136-000140	GROMMET,LEAD	8
A301-000100	PLATE, MUFFLER	12	P005-004390	NOZZLE ASY	10	V137-000160	GROMMET,FUEL	8
A310-000580	SCREEN, ARRESTOR	12	P005-004400	METERING SPRING	10	V141-000090	GROMMET,PLUG	2
A356-000120	ELEMENT	4	P005-004410	PUMP COVER ASY	10	V141-000180	GROMMET,PLUG	16
A365-000150	CONNECTOR,CAP	4	P005-004420	SCREW	10	V150-004750	PLATE,EYE	12
A365-000150	CONNECTOR,CAP	18						

NUMERICAL PARTS INDEX

Part No	Part description	Page	Part No	Part description	Page	Part No	Part description	Page
V186-000530	JOINT,PIPE	16	V485-003490	LEAD	16	X268-000060	CHAIN,SAW	24
V202-000790	BOLT,4	8	V485-003500	LEAD	16	X270-000050	CHAIN,SAW	24
V203-002250	BOLT,5	6	V490-000500	CLIP	4	X270-000080	CHAIN,SAW	24
V203-002450	BOLT,5	20	V490-000500	CLIP	16	X490-000710	SCABBARD,CHAIN	24
V203-002460	BOLT,5	20	V490-001230	CLIP	16	X490-000720	SCABBARD,CHAIN	24
V203-002510	BOLT,5	20	V508-000140	SEAL,OIL 15	4	X490-001110	SCABBARD,CHAIN	24
V204-001880	BOLT,6	12	V555-000010	BEARING,NEEDLE 10	20	X502-001060	LABEL,ECHO	4
V225-000380	BOLT,STUD 8	4	V557-000080	BEARING,NEEDLE 12	2	X502-001240	LABEL,ECHO	20
V265-000660	NUT,8	20	V580-000000	RING,END	2	X503-015470	LABEL,MODEL	4
V303-000060	WASHER,CIRCULAR 5	20	V583-000440	RING	20	X547-003600	LABEL,ECHO	14
V304-000540	WASHER,CIRCULAR 6	12	V610-000040	PIN,ENG 12	2	X602-000080	TOOL,WRENCH	22
V307-000520	WASHER,CIRCULAR 10	20	V641-000270	PIN,SNAP	4	X605-000190	TOOL,L WRENCH	22
V311-000090	WASHER,CIRCULAR 16-1	2	V652-000270	GEAR,WORM	20			
V352-000340	COLLAR,4	8	V652-000300	GEAR,WORM	2			
V352-000340	COLLAR,4	10	V804-000000	BOLT, TORX 4	16			
V354-000650	COLLAR,6	4	V804-000030	BOLT, TORX 4	12			
V355-000980	COLLAR,8	20	V804-000050	BOLT, TORX 4	2			
V356-000470	COLLAR,10	20	V804-000050	BOLT, TORX 4	20			
V356-000940	COLLAR,10	20	V804-000110	BOLT, TORX 4	20			
V361-000580	COLLAR,20	8	V805-000130	BOLT, TORX 5	14			
V376-000450	SPACER	20	V805-000130	BOLT, TORX 5	20			
V404-000260	CUSHION,10	16	V805-000150	BOLT, TORX 5	6			
V420-003800	CUSHION	8	V805-000150	BOLT, TORX 5	8			
V420-005580	CUSHION	16	V805-000150	BOLT, TORX 5	20			
V420-005590	CUSHION	4	V805-000220	BOLT, TORX 5	2			
V420-005600	CUSHION	4	V805-000220	BOLT, TORX 5	4			
V420-005610	CUSHION	8	V805-000250	BOLT, TORX 5	4			
V420-005620	CUSHION	8	V805-000290	BOLT, TORX 5	4			
V430-005290	CABLE,BOWDEN	16	V805-000360	BOLT, TORX 5	16			
V450-000740	SPRING,COMPRESSION	20	V805-000410	BOLT, TORX 5	14			
V450-002410	SPRING,COMPRESSION	16	V806-000000	BOLT, TORX 6	16			
V450-002420	SPRING,COMPRESSION	16	V806-000010	BOLT, TORX 6	12			
V450-002430	SPRING,COMPRESSION	16	V835-000000	BOLT, TORX 5	16			
V452-001950	SPRING,TORSION	6	V835-000000	BOLT, TORX 5	20			
V452-001960	SPRING,TORSION	20	V835-000030	BOLT, TORX 5	8			
V452-001970	SPRING,TORSION	16	V856-000010	BOLT,TORX 6	4			
V456-000430	HOLDER,SPRING	16	X125-000470	BAR,GUIDE 45	24			
V456-000440	HOLDER,SPRING	16	X126-000390	BAR,GUIDE 50	24			
V456-000450	HOLDER,SPRING	16	X128-000110	BAR,GUIDE 60	24			
V456-000460	HOLDER,SPRING	16	X130-000040	BAR,GUIDE 70	24			
V470-001991	PIPE	16	X265-000080	CHAIN,SAW	24			
V470-002370	PIPE	2	X265-000090	CHAIN,SAW	24			
V470-002410	PIPE	16	X266-000060	CHAIN,SAW	24			
V470-002420	PIPE	4	X266-000090	CHAIN,SAW	24			
V471-005680	PIPE	16	X268-000040	CHAIN,SAW	24			