

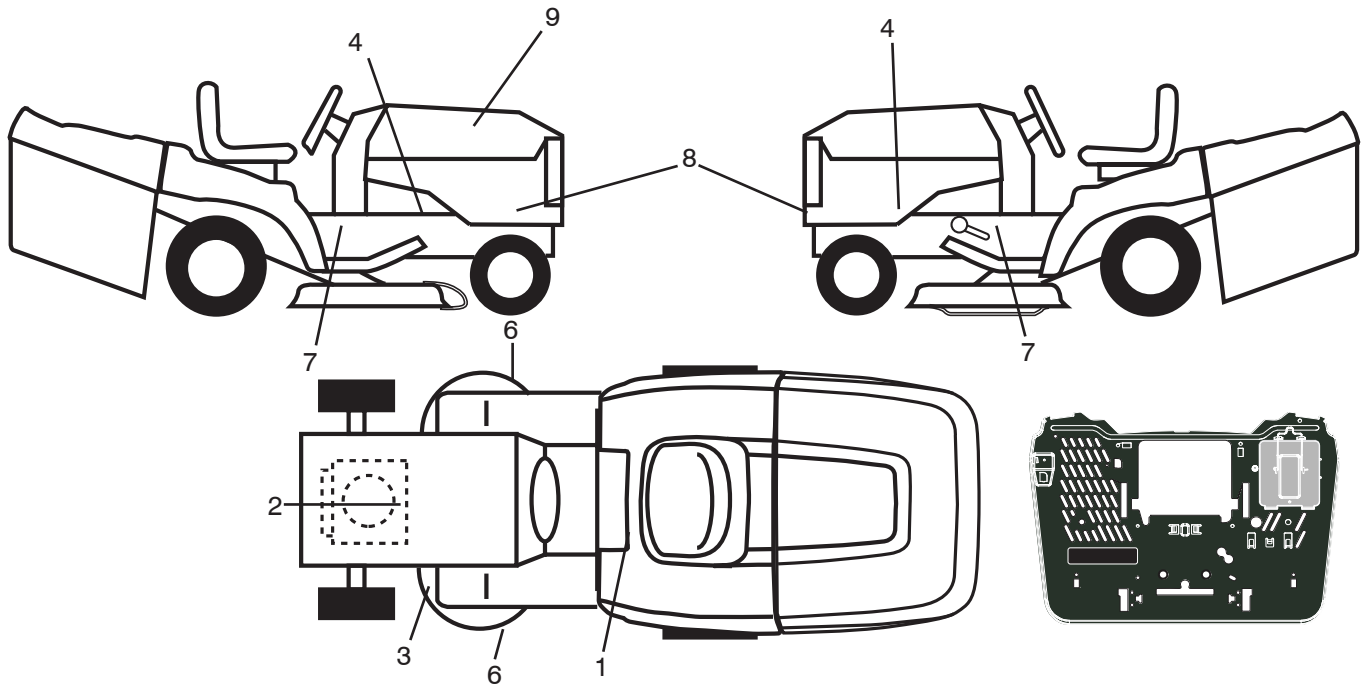
# **ILLUSTRATED PARTS LIST**

**MFG. ID NO. 96051019500**

**CUSTOMER CATALOG NO. TC 242T**

**PRODUCT NO. 960 51 01-95**

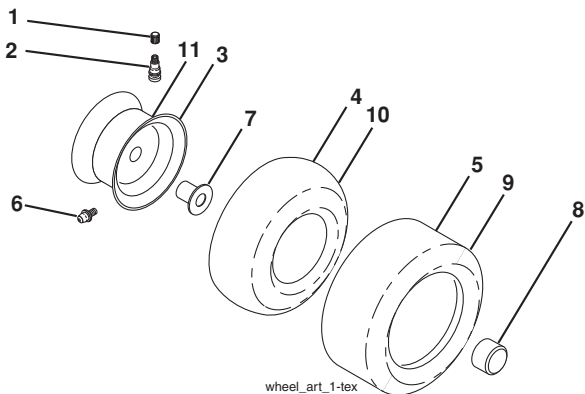
**TRACTOR - MODEL NO. TC 242T (96051019500), PRODUCT NO. 960 51 01-95**  
**DECALS 27**



KEY NO.	PART NO.	DESCRIPTION
1	586 04 73-02	Decal, Tractor, Saddle
2	581 57 97-01	Decal, Warning Eng. Sym.
3	597 47 53-01	Decal, Belt, Routing
4	581 57 96-01	Decal, Chassis Hot Muffler
5	587 85 31-01	Decal, Consumption
6	581 57 91-01	Decal, Mower Cut Finger Symbol
7	581 57 98-01	Decal, Warning
8	597 90 89-01	Decal, Side Panel
9	598 62 45-01	Decal, Replacement

KEY NO.	PART NO.	DESCRIPTION
--	532 44 46-19	Decal, Bypass
--	532 44 14-09	Pad Footrest LH
--	532 44 14-10	Pad Footrest RH
--	532 44 54-93	Decal, Backplate Warning
--	114 19 52-49	Manual Operator's (English/Spanish)
--	114 19 54-32	Manual Operator's (French)
--	114 19 53-59	Manual Operator's (Brazilian Portuguese)

**WHEELS AND TIRES**



KEY NO.	PART NO.	DESCRIPTION
1	532 05 91-92	Cap Valve Tire
2	532 06 51-39	Stem Valve
3	532 13 83-36	Rim Front
4	532 05 99-04	Tube Front (Service Item Only)
5	532 10 62-22	Tire Front 15 x 6-6
6	532 00 02-78	Fitting Grease (Front Wheel Only)
7	532 00 90-40	Bearing Flange (Front Wheel Only)
8	532 17 50-39	Cap Axle Blk 1 50 x 1 00
9	532 12 46-35	Tire Rear 18 x 8.5-8
10	532 00 71-52	Tube Rear (Service Item Only)
11	532 13 83-37	Rim Asm 8" Rear
--	532 14 43-34	Sealant, Tire (10 oz. Tube)

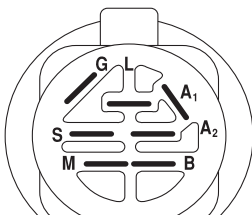
**NOTE:** All component dimensions given in U.S. inches  
 1 inch = 25.4 mm

# TRACTOR - MODEL NO. TC 242T (96051019500), PRODUCT NO. 960 51 01-95

## SCHEMATIC **38**

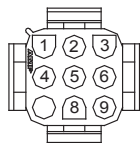
SCH17

**NOTE**  
YOUR TRACTOR IS EQUIPPED WITH A SPECIAL ALTERNATOR SYSTEM. THE LIGHTS ARE NOT CONNECTED TO THE BATTERY, BUT HAVE THEIR OWN ELECTRICAL SOURCE. BECAUSE OF THIS, THE BRIGHTNESS OF THE LIGHTS WILL CHANGE WITH ENGINE SPEED. AT IDLE THE LIGHTS WILL DIM. AS THE ENGINE SPEED IS INCREASED, THE LIGHTS WILL BECOME THEIR BRIGHTEST.

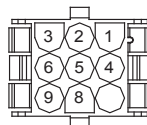


IGNITION SWITCH

POSITION	CIRCUIT	"MAKE"
OFF	M+G+A1	
RUN/OVERRIDE	B+A1	
RUN	B+A1	L+A2
START	B + S + A1	



CHASSIS HARNESS CONNECTOR (C1) (MATING SIDE)

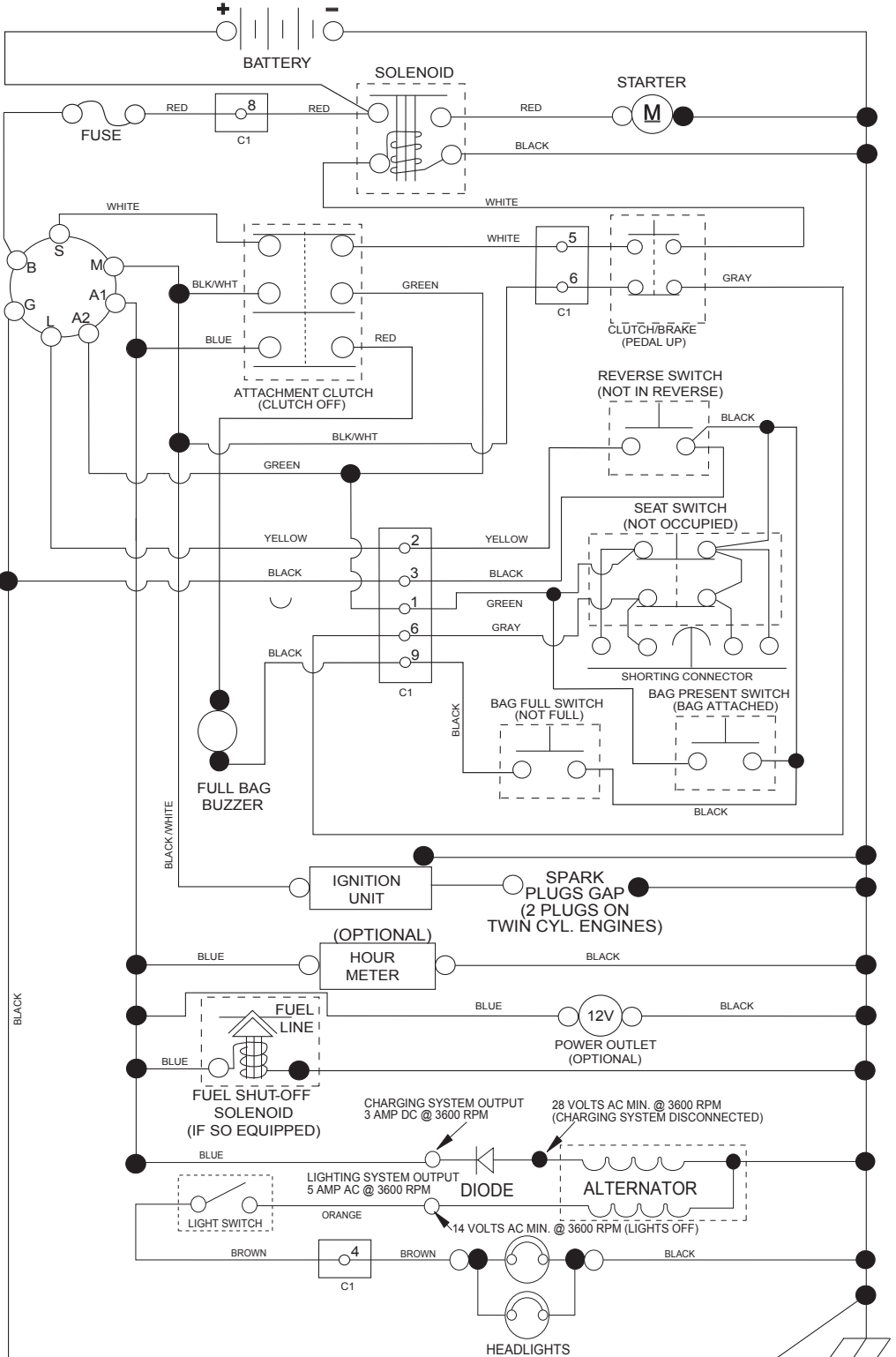


DASH HARNESS CONNECTOR (C1) (MATING SIDE)

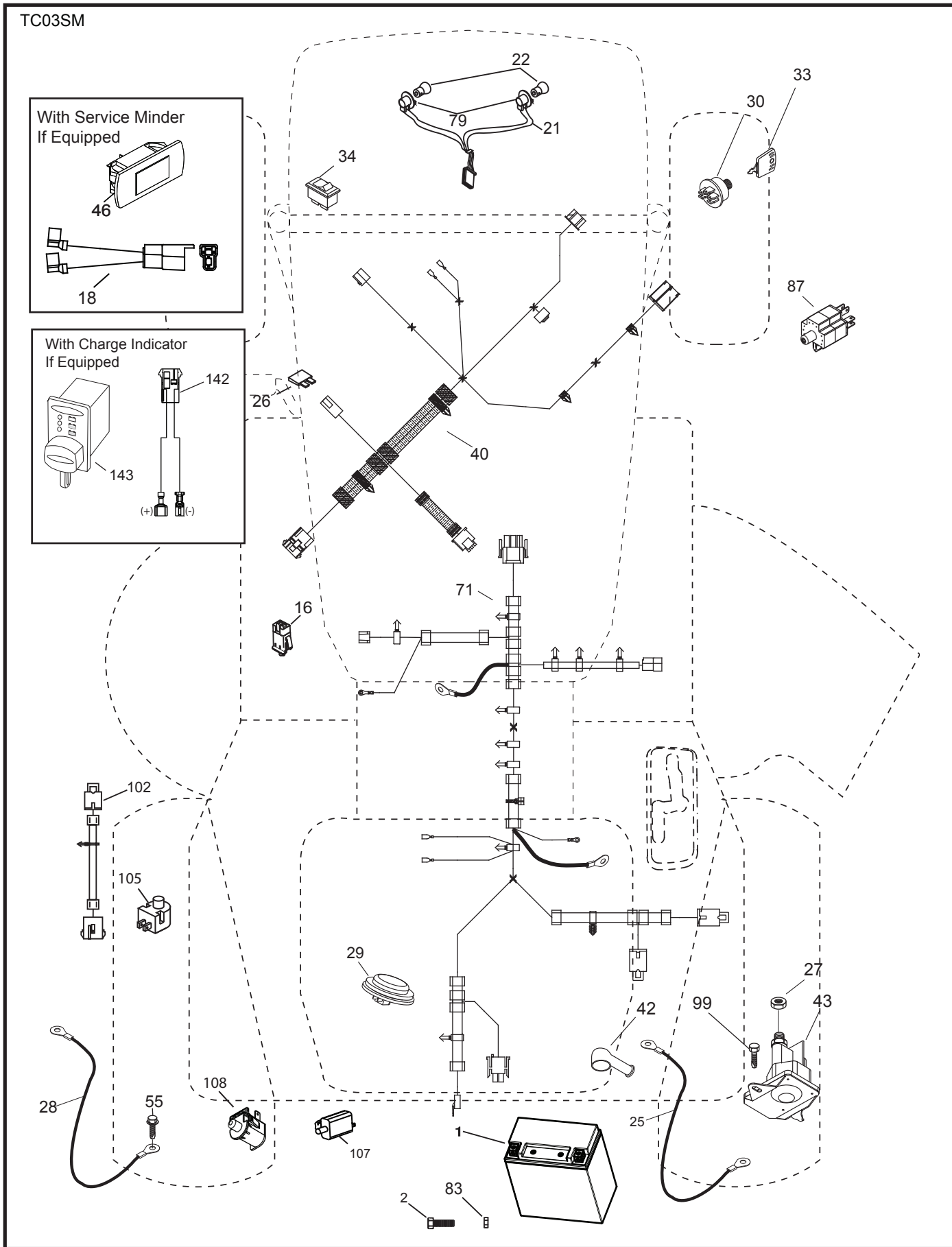
WIRING INSULATED CLIPS  
NOTE: IF WIRING INSULATED CLIPS WERE REMOVED FOR SERVICING OF UNIT, THEY SHOULD BE RE-INSTALLED TO PROPERLY SECURE YOUR WIRING.

NON-REMOVABLE CONNECTIONS

REMOVABLE CONNECTIONS



**TRACTOR - MODEL NO. TC 242T (96051019500), PRODUCT NO. 960 51 01-95**  
**ELECTRICAL 32**

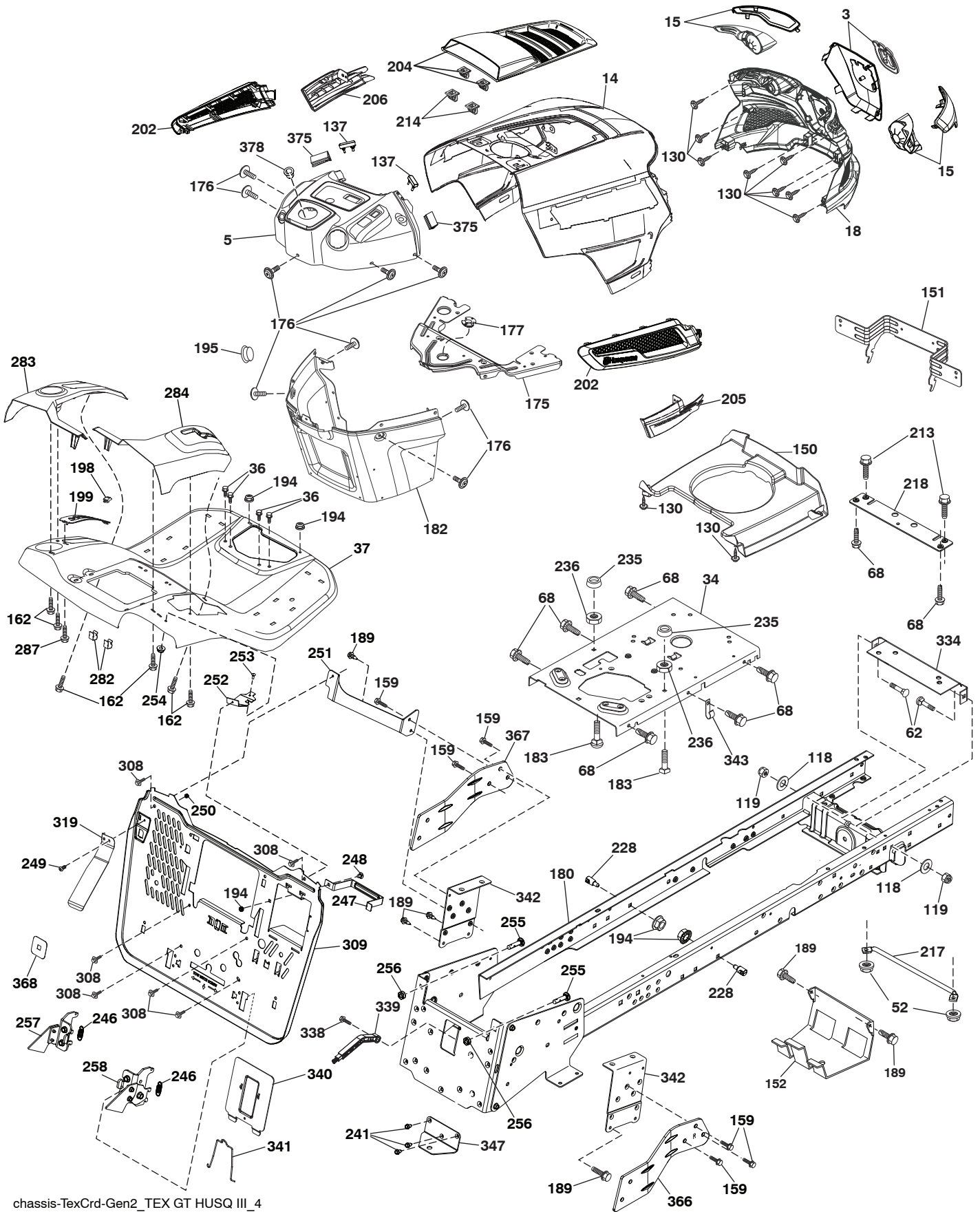


**TRACTOR - MODEL NO. TC 242T (96051019500), PRODUCT NO. 960 51 01-95  
ELECTRICAL 32**

<b>KEY NO.</b>	<b>PART NO.</b>	<b>DESCRIPTION</b>
1	532 43 71-57	Battery
2	532 44 09-23	Screw Hex Hd Cap M6 x 1.12mm
16	532 17 61-38	Switch Interlock Push-In
21	532 40 02-52	Harness Light w/4152J
22	532 00 41-52	Bulb Light
25	589 32 37-01	Cable Starter
26	532 17 51-58	Fuse
27	873 51 04-00	Nut Keps Hex 1/4-20 unc
28	589 32 36-01	Cable, Ground
29	532 40 15-45	Switch, Seat
30	532 19 33-50	Switch, Ign
33	532 41 19-33	Key/Chain
34	532 11 07-12	Switch Light/Reset
40	532 42 10-02	Harness Ign. Dash
42	532 13 15-63	Cover Terminal Red
43	582 04 28-01	Solenoid
46	594 91 91-01	Hourmeter SRVminder
55	817 06 05-12	Screw Thdrol 5/16-18 x 3/4 TYTT
71	532 44 08-20	Harness Ignition Chassis
79	532 17 52-42	Socket Asm. Bulb
83	532 43 67-74	Nut Square M6 x 1.8.5 x 11mm
87	532 42 10-60	Switch
99	817 00 05-12	Screw 5/16-18 x 3/4
102	532 44 12-62	Harness Jumper
105	532 40 75-68	Switch Reverse
107	532 18 03-79	Switch Full Bagger
108	589 50 03-01	Switch Snapmount

**NOTE:** All component dimensions given in U.S. inches  
1 inch = 25.4 mm

**TRACTOR - MODEL NO. TC 242T (96051019500), PRODUCT NO. 960 51 01-95**  
**CHASSIS AND ENCLOSURES 39**



chassis-TexCrd-Gen2\_TEX GT HUSQ III\_4

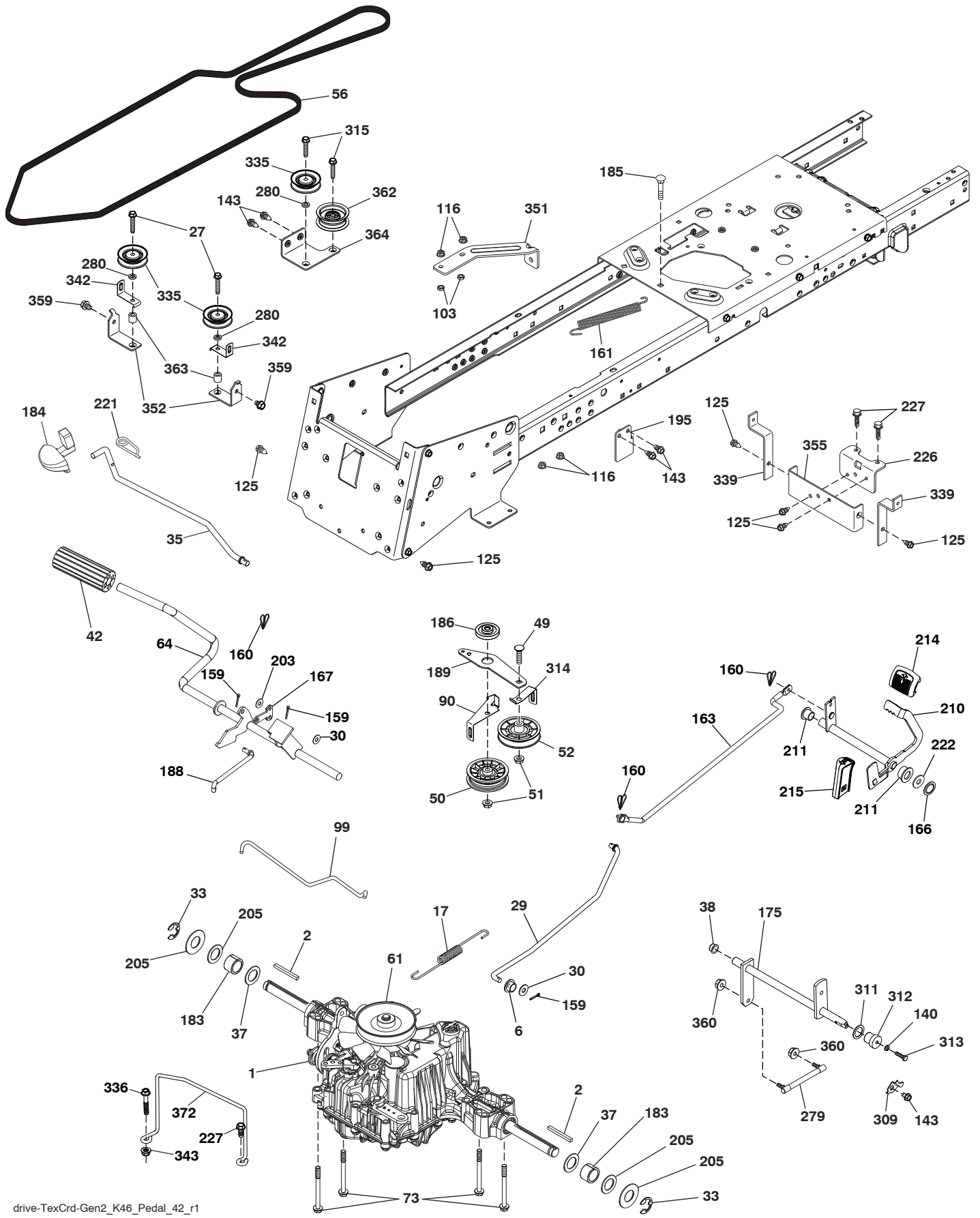
**TRACTOR - MODEL NO. TC 242T (96051019500), PRODUCT NO. 960 51 01-95  
CHASSIS AND ENCLOSURES 39**

KEY NO.	PART NO.	DESCRIPTION	KEY NO.	PART NO.	DESCRIPTION
3	597 68 82-01	Kit, Grille Applique, (includes applique cover and emblem badge)	251	589 31 89-04	LH Backplate Support Bracket
5	590 74 88-18	Dash	252	581 99 22-04	RH Backplate Support Bracket
14	532 44 11-77	Hood	253	539 11 56-20	Bolt 1/4-20 x 3/4
15	597 86 78-01	Incandescent headlight kit (includes LH/RH lens and LH/RH housing)	254	873 90 04-00	Nut Lock Hex Flange 1/4-20
18	597 40 71-01	Grille	255	589 39 22-03	Bolt Cross Drilled 3/8-16 x 3/4
34	580 91 09-01	Plate Engine	256	532 19 70-33	Nut Jam 3/8-16
36	817 06 05-12	Screw 5/16-18 x 3/4	257	589 74 66-02	Bagger Latch Assembly LH
37	532 44 14-19	Fender	258	589 74 67-02	Bagger Latch Assembly RH
52	873 68 05-00	Nut Lock 5/16-18	282	532 41 41-10	Clip Retainer
62	872 11 06-08	Bolt RdHd Sqnk 3/8-16 x 1 Gr. 5	283	532 44 72-12	Console Deck Lift LH
68	539 99 08-58	Screw Thdrol 5/16-18 x 1/2	284	532 44 72-20	Console Shft RH
118	819 13 13-16	Washer 13/32 x 13/16 x 16 Ga.	287	817 60 04-06	Screw 1/4-20 x 3/8
119	873 68 06-00	Nut Crownlock 3/8-16 unc	308	532 17 18-77	Bolt 5/16-18 unc x 3/4 w/Sems
130	596 32 17-01	Screw #10 x 0.750	309	582 55 25-02	Backplate
137	532 40 75-90	Bumper Dash	319	581 31 39-07	Lever Bag
150	532 43 97-74	Air Duct	334	532 44 25-37	Bracket Engine
151	532 43 66-70	Bracket Pivot	338	594 09 39-01	Bolt, Shoulder 5/16-18-.88
152	532 19 95-35	Shield Browning	339	532 43 66-41	Lever Bagger Full
159	817 00 06-12	Screw Hexwsh Thrd 3/8-16 x 3/4	340	582 55 27-02	Battery Door
162	532 14 24-32	Screw	341	582 06 08-01	Battery Door Latch
175	590 60 77-02	Crossmember	342	582 82 68-02	Supprt Fender
176	532 40 07-76	Screw 10-24 x 5/8	343	532 44 07-49	Clip
177	532 19 52-28	Bushing Steering	347	532 44 28-87	Hitch Tow
180	593 89 88-01	Chassis	366	581 31 46-02	Bracket RH Front Bagger
182	586 73 86-02	Dash Lower	367	581 31 45-02	Bracket LH Front Bagger
183	874 52 05-20	Bolt 5/16-18 x 1-1/4	368	581 42 48-01	Full Lever Shroud
189	817 00 05-12	Screw 5/16-18 x 3/4	375	586 90 82-01	Dash Clip-On Bumper
194	873 90 05-00	Nut Lock Hex Flange 5/16-18	378	590 84 98-01	Bushing Flange
195	532 40 41-37	Plug Hole Dash Lower	--	597 33 48-01	Bumper
198	532 44 15-52	Indicator Deck Lift	--	589 45 39-01	Kit ID Box –This kit includes Battery Hardware (532 44 09-23 Screw Hex Head Cap M6 x 1.2mm), 532 43 67-74 Nut Square M6 x 1.8.5 x 11mm; refer to pages 4 & 5 in this IPL, Chassis Parts/Hardware (532 44 28-87 Tow Hitch), (532 43 66-41 Bagger Full Lever); refer to pages 6 & 7 in this IPL, Bagger Parts/Hardware (582 36 48-01 Bagger Latch), Bagger Presence Lever/Hardware (581 31 39-06 Bagger Presence lever), (586 93 60-01 Screw Buttonhead 10-24 x 1/2), (539 97 69-77 Nut Hex 10-24), (817 00 06-12 Screw Hexwsh Trdr 3/8-16 x 3/4), (872 11 06-08 Bolt Rdhd Sqnk 3/8-16 x 1 Gr. 5), (873 80 06-00 Nut Lock 3/8-16 unc); refer to pages 18 & 19 in this IPL.
199	532 41 87-39	Plate Deck Lift			
202	597 86 77-01	Kit, Side Vents, LH/RH (includes LH/RH side vents)			
204	597 40 80-01	Kit, Top Vent (includes top vent and clip retainers)			
205	532 43 97-30	Skirt Hood Side RH			
206	532 43 97-29	Skirt Hood Side LH			
213	539 97 69-34	Screw 5/16-18 x 3/4			
214	532 19 91-45	Clip Retainer Tinner			
217	532 40 91-67	Rod Pivot			
218	532 19 63-95	X-Piece Hood Stop			
228	532 19 51-61	Stud Fastner			
235	532 40 61-29	Spacer Fender			
236	873 93 05-00	Nut Lock 5/16-18 unc			
241	817 06 05-16	Screw 5/16-18 x 1			
246	591 44 90-01	Bagger Latch Extension Spring			
247	582 55 26-02	Battery Strap			
248	872 11 05-04	Bolt Rdhd Sqnk 5/16-18 x 1/2 Gr. 5			
249	586 93 60-01	Screw Bnhd 10-24 x 1/2 Patched			
250	539 97 69-77	Nut Lock Hx w/ins 10-24 unc			

**NOTE:** All component dimensions given in U.S. inches  
1 inch = 25.4 mm



**TRACTOR - MODEL NO. TC 242T (96051019500), PRODUCT NO. 960 51 01-95**  
**DRIVE 40**



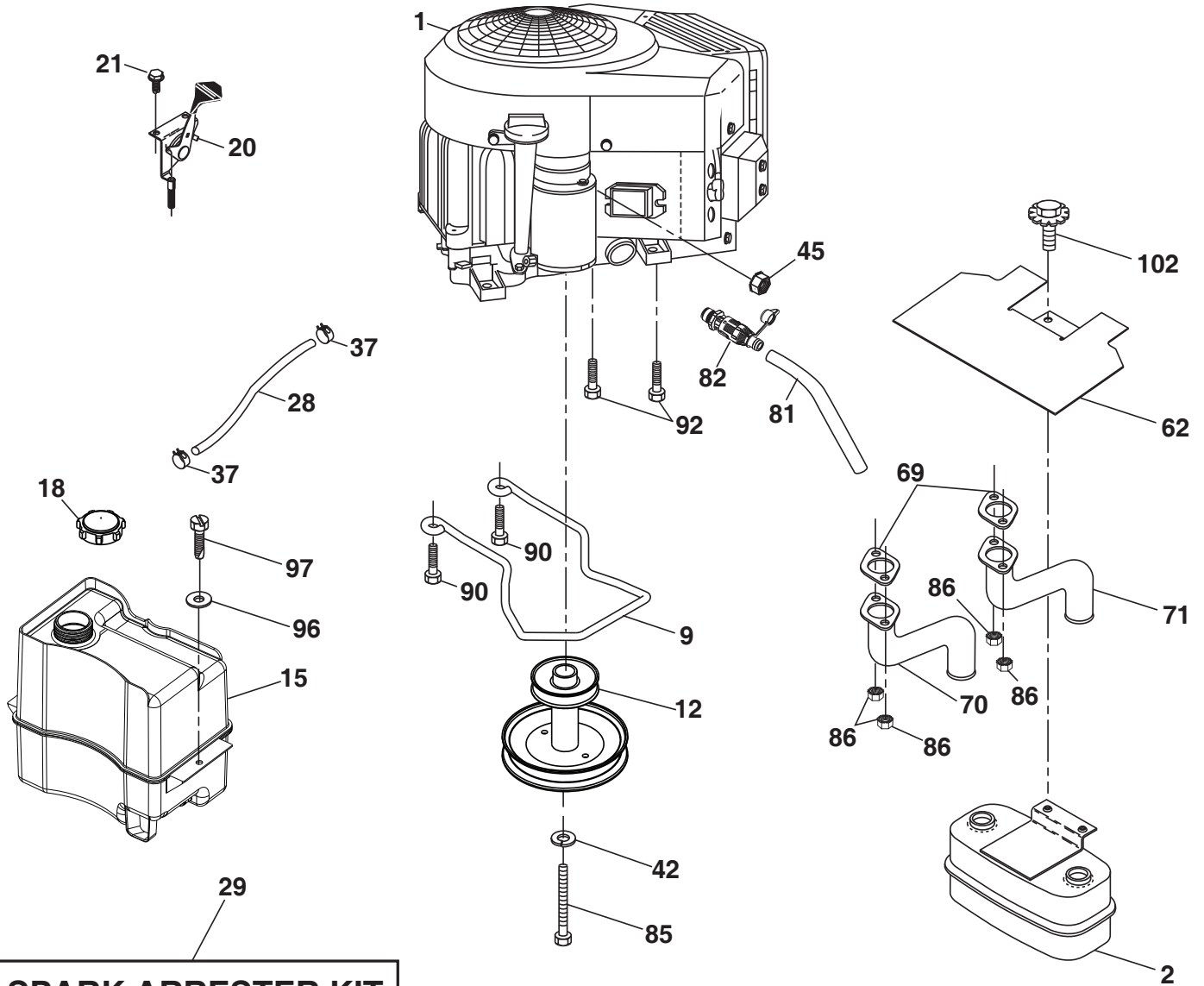
drive-TexCrd-Gen2\_K46\_Pedal\_42\_r1



**TRACTOR - MODEL NO. TC 242T (96051019500), PRODUCT NO. 960 51 01-95  
DRIVE **40****

KEY NO.	PART NO.	DESCRIPTION	KEY NO.	PART NO.	DESCRIPTION
1	---	Transaxle, Tufftorq K46DF (446488) (Order parts from trans-axle manufacturer.)	189	532 43 36-11	Bellcrank Ground Drive
2	532 12 35-83	Key Square	195	580 45 69-01	Bracket Rod Brake CRD Tex
6	532 12 40-28	Bushing Snap	203	819 11 11-16	Washer 11/32 x 11/16 x 16 Ga.
17	532 43 62-27	Spring Brake K46	205	532 12 17-48	Washer 25/32 x 1-5/8 x 16 Ga.
27	817 49 05-28	Screw Hexwsh Thd 5/16-18 x 1-3/4	210	532 40 09-80	Rocker Asm. Pedal Control
29	532 44 27-95	Rod, Brake	211	532 12 01-83	Bearing Nylon
30	819 13 16-16	Washer	214	532 42 12-63	Pedal Forward
33	812 00 00-01	Ring E	215	586 60 65-02	Pedal Reverse
35	583 86 45-01	Rod, Brake, Park	221	532 40 31-87	Retainer Spring Clip Handle
37	532 18 89-67	Washer Harden .793 x 1.063 x .060	222	879 21 20-10	Washer 21/32 x 1-1/4 10 Ga.
38	532 16 96-13	Nyliner Bushing	226	532 40 15-64	Bracket Strap Torque
42	532 00 88-83	Cover, Foot Pedal	227	817 49 05-12	Screw
49	872 11 06-14	Bolt Rdhd 3/8-16 unc x 3/4 Gr. 5	279	532 44 42-83	Link Shift
50	532 19 43-27	Idler Flat	280	819 11 10-12	Washer 11/32 x 5/8 x 12 Ga.
51	873 90 06-00	Lock Nut 3/8-16	309	532 16 55-81	Plate Fstnr Cross Shf
52	532 19 43-26	Idler V-Groove	311	532 16 98-45	Washer Nylon
56	591 06 53-01	V-Belt, Drive	312	532 16 56-14	Hub Tapered
61	532 44 51-51	Pulley Transaxle K46	313	874 78 04-16	Bolt Hex Fin 1/4-20 unc x 1 Gr. 5
64	532 19 78-65	Shaft Asm. Pedal Brake Control	314	532 44 47-13	Keeper Belt
73	874 49 05-44	Bolt Flanged	315	817 58 05-20	Screw Thdrol 5/16-18 x 4.25
90	532 44 36-05	Keeper Belt Clutching	335	532 19 95-34	Pulley V-Idler
99	532 44 39-47	Rod Spring Bypass	336	587 25 96-01	Bolt 5/16-18 x 1-3/4 Flanged hex
103	873 35 05-00	Nut Hex Jam 5/16-18	339	532 43 68-67	Strap Torque K46 CRD Tex
116	873 90 05-00	Nut Lock Hex Flange 5/16-18	342	532 18 26-82	Keeper Belt 2.5" STL V-Idlr CRD
125	817 00 05-12	Screw 5/16-18 x 3/4	343	539 11 28-99	Nut 5/16-18 Hex Flanged Nyloc
140	810 04 04-00	Washer Lock Hvy Helical 1/4	351	532 43 69-98	Bracket 97 CRD Deck Sway
143	539 99 08-58	Screw 5/16-18 x 1/2	352	532 43 56-45	Bracket Idler CRD Tex
159	876 02 04-12	Pin Cotter 1/8 x 3/4	355	532 43 56-69	Bracket
160	532 16 94-84	Retainer Clip	359	817 49 06-10	Screw Thdrol 3/8-16 x 5/8
161	532 10 57-09	Spring, Return, Clutch	360	532 44 47-14	Nut 5/16-24 unf
163	532 44 27-93	Rod Control	362	532 43 68-12	Idler Flat
166	532 42 91-64	Nut Push	363	532 44 27-80	Spacer .343 x .63 x .62
167	532 40 52-57	Latch Brake Parking	364	532 44 30-32	Bracket Idler CRD Tex
175	532 42 93-59	Shaft Asm Crossshift Rear CRD	372	582 65 49-01	Keeper Belt Transaxle
183	532 13 70-57	Spacer Axle			
184	587 65 37-01	Handle Parking Brake			
185	872 11 06-22	Bolt 3/8-16 unc x 2-3/4 Gr. 5			
186	532 19 43-21	Spacer Retainer			
188	582 21 70-01	Link Clutch			

**NOTE:** All component dimensions given in U.S. inches  
1 inch = 25.4 mm



**SPARK ARRESTER KIT**

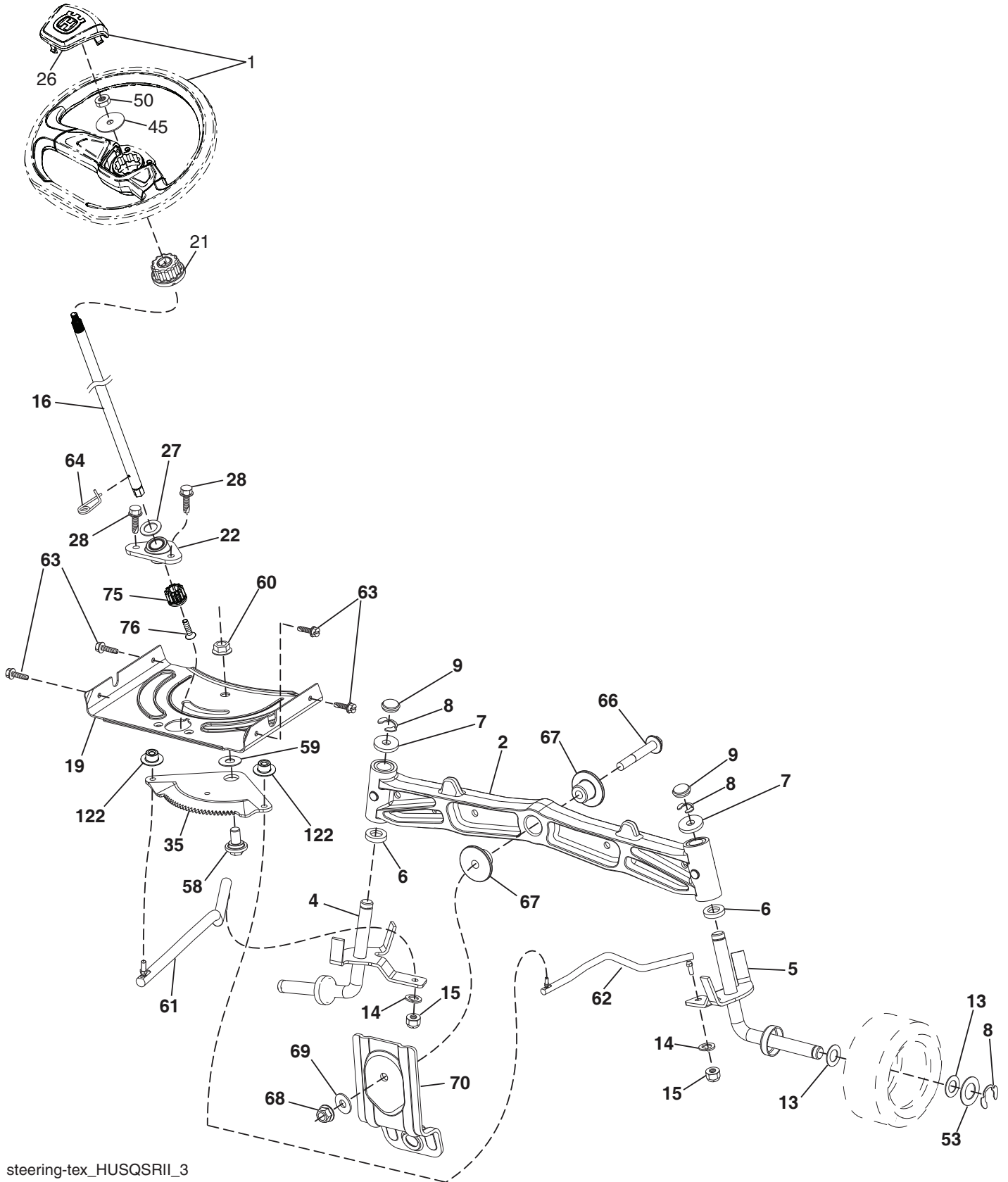
engine-tex\_loncin\_13

**TRACTOR - MODEL NO. TC 242T (96051019500), PRODUCT NO. 960 51 01-95  
ENGINE 24**

<b>KEY NO.</b>	<b>PART NO.</b>	<b>DESCRIPTION</b>
1	— — — — —	Engine Husqvarna Model No. LC2P80 (598632101) (Order parts from engine manufacturer.)
2	589 81 87-01	Muffler
9	501 83 26-02	Keeper Belt Engine
12	586 72 89-01	Pulley Engine
15	581 29 01-01	Tank Fuel
18	532 43 02-20	Fuel Cap
20	532 42 35-02	Control Throttle
21	532 41 63-58	Screw # 10 x 0.750
28	532 13 70-40	Fuel Line
29	532 13 71-80	Spark Arrester Kit
37	532 12 34-87	Clamp Hose
42	539 99 02-47	Washer Lock 7/16
45	593 35 64-01	Nut Hex Flange
62	532 43 40-17	Shield Heat Muffler
69	597 90 51-01	Gasket
70	597 88 89-01	Tube Exhaust LH
71	597 88 90-01	Tube Exhaust RHw
81	532 14 84-56	Tube Drain Oil Easy
82	532 42 82-87	Valve Oil Drain
85	501 60 65-01	Bolt Hex 7/16-20 x 4 x Gr. 5-1.5 Thr
86	532 18 43-62	Nut, Hex, Flange .M8-1.25
90	817 00 06-16	Screw 3/8-16 x 1
92	817 12 06-16	Screw 3/8-16 x 1
96	819 09 14-16	Washer 9/32 x 7/8 x 16 Ga.
97	817 67 04-12	Screw 1/4-20 x 3/4
102	817 00 05-12	Screw 5/16-18 x 3/4

**NOTE:** All component dimensions given in U.S. inches  
1 inch = 25.4 mm

**TRACTOR - MODEL NO. TC 242T (96051019500), PRODUCT NO. 960 51 01-95**  
**STEERING ASSEMBLY 41**



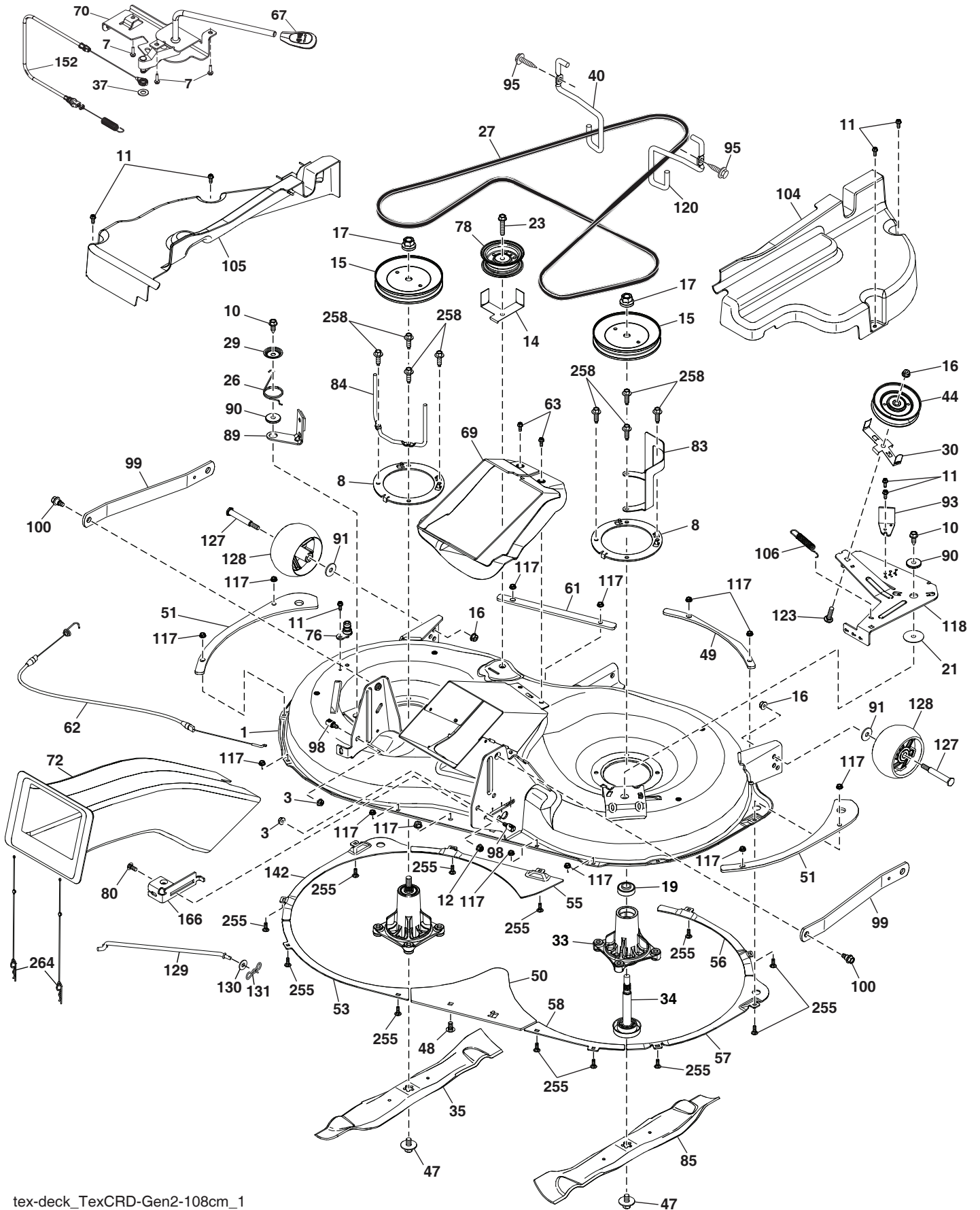
steering-tex\_HUSQSR11\_3

**TRACTOR - MODEL NO. TC 242T (96051019500), PRODUCT NO. 960 51 01-95  
STEERING ASSEMBLY 41**

<b>KEY NO.</b>	<b>PART NO.</b>	<b>DESCRIPTION</b>
1	597 86 61-01	Wheel, Steering, Kit (includes steering wheel and cap)
2	532 19 59-68	Axle Asm.
4	532 40 30-87	Spindle, LH
5	532 40 30-88	Spindle, RH
6	532 00 62-66	Washer Thrust 0.75 x 1.23
7	532 12 17-48	Washer 25/32 x 1-5/8 x 16 Ga.
8	812 00 00-29	Ring, Klip #T5304-75
9	532 12 12-32	Cap, Spindle
13	532 12 17-49	Washer 25/32 x 1-1/4 x 16 Ga.
14	539 99 01-18	Washer, Lock 3/8
15	873 54 06-00	Nut, Crown Lock 3/8-24 unf
16	587 01 60-02	Steering Shaft
19	532 19 47-29	Plate Steering
21	586 84 02-01	Adapter Wheel Steering
22	585 02 98-02	Bearing
26	594 94 91-01	Cap, Wheel, Steering
27	819 21 16-16	Washer
28	817 00 06-12	Screw 3/8-16 x 3/4
35	532 19 47-32	Gear, Sector Plate
45	587 01 64-01	Washer 3/8 ID 2-3/8 OD 12 Ga. PLTD
50	873 90 06-00	Nut Lock Flg 3/8-16 unc
53	532 18 89-67	Washer Hardened .793 x 1.637 x .060
58	532 19 47-47	Bolt Shoulder Sector Pivot CFM
59	532 19 47-48	Washer Thrust Sector Steering
60	873 97 10-00	Nut Flange Lock 5/8-11
61	588 79 44-02	Draglink, LH
62	588 79 45-02	Draglink, RH
63	817 00 05-12	Screw 5/16-18 x 3/4
64	532 19 98-49	Retainer Clip Spring Steering
66	871 02 07-48	Bolt Hex Fghd 7/16-14 x 3 Serr
67	532 19 47-37	Bushing PM Front Axle
68	873 90 07-00	Nut Lock Flange 7/16-14 Gr. 5
69	532 19 91-62	Washer 1.5 x .505 x .118
70	585 33 88-01	Bracket Deck Susp. Front
75	580 68 37-01	Pinion
76	580 68 36-01	Screw Head Sock
122	532 44 49-62	Cap Gear

**NOTE:** All component dimensions given in U.S. inches  
1 inch = 25.4 mm

TRACTOR - MODEL NO. TC 242T (96051019500), PRODUCT NO. 960 51 01-95  
MOWER DECK 44



tex-deck\_TexCRD-Gen2-108cm\_1

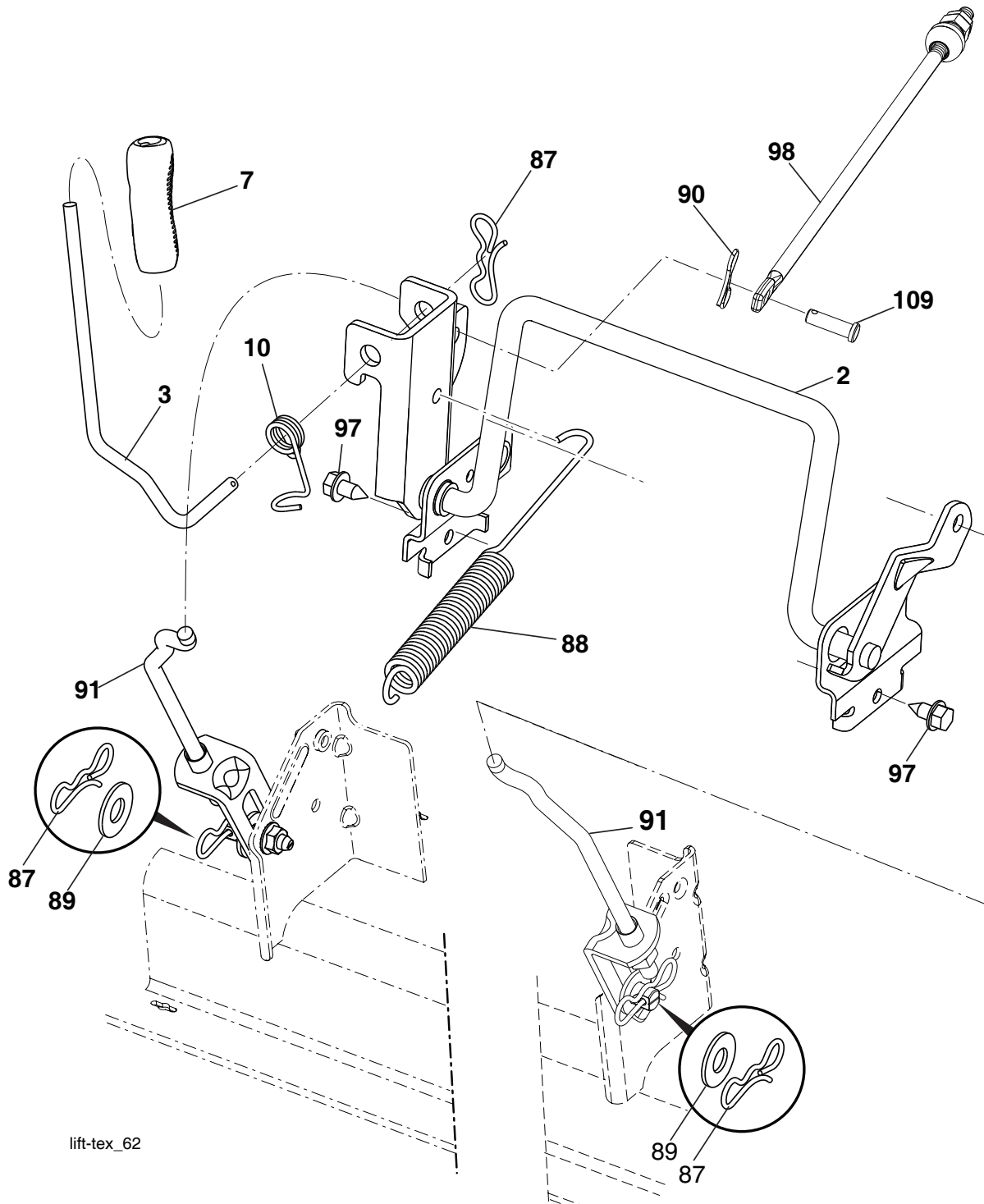
**TRACTOR - MODEL NO. TC 242T (96051019500), PRODUCT NO. 960 51 01-95**  
**MOWER DECK 44**

KEY NO.	PART NO.	DESCRIPTION	KEY NO.	PART NO.	DESCRIPTION
1	597 95 92-01	Kit, SVC, Deck Weldment	78	532 19 31-97	Pulley, Idler 48"Primary
3	596 13 57-01	Nut, Lock, Prvl, Torq, 5/16-18 x .68	80	595 90 16-01	Bolt, Cup, 5/16-18 x 3/4, Clr, Znc
7	532 41 63-58	Screw #10	83	595 53 33-02	Belt Keeper
8	595 96 02-02	Mandrel Reinforcement Plate	84	589 67 61-02	Belt Keeper
10	817 00 06-16	Screw, 3/8-16x1, Smgml, Tap/R, Blk	85	594 02 48-02	Blade RH
11	532 13 77-29	Screw, Thd, Roll, 1/4-20 x 5/8	89	532 19 72-61	Arm, Pnt, Brake, Mower
12	594 94 44-01	Nut, Hexagon, Flange, 5/16-18	90	532 19 90-92	Spacer, Retainer
14	532 43 68-58	Guard, Paint, Tuv, Idler, 42, Black	91	819 12 14-14	Washer
15	532 19 59-45	Pulley, Mandrel, 5.438 Pd, Zinc	93	532 19 94-70	Arm, Brake, Mower, 38" LH, Tex
16	873 90 06-00	Nut, Lock, Flg, 3/8-16 unc	95	817 00 06-12	Screw Hexwsh 3/8-16 x 3/4
17	596 13 48-01	Nut, Hex, 9/16-18 x 1 .010	98	593 82 40-01	Stud, w/"D"Anti-Rotation
19	585 32 39-01	Bearing, Mandrel	99	594 92 82-02	Arm, Deck, Suspension, MS 431
21	532 10 65-13	Washer, Wear, 16 Ga, Harden	100	532 19 65-39	Bolt Shoulder
23	596 56 40-03	Bolt, Hex, 3/8-16 x 1.78, Clr, Zinc	104	594 02 59-01	Cover, Mandrel, Assy, RH
26	532 19 84-10	Spring, Torsion, Brake	105	594 02 58-01	Cover, Mandrel, Assy, LH
27	594 02 49-01	Belt	106	581 54 26-01	Spring, Brake, Return, 42, Sz
29	532 19 72-56	Spring, Torsion, Retainer	117	873 90 04-00	Nut, Hex, Flange, 1/4-20
30	597 35 12-02	Keeper, Belt, Ecoat x 431	118	594 02 45-02	Arm, Tensioner MS 431
33	597 47 51-01	Housing Mandrel, Tall	120	597 64 68-01	Keepr Belt Engine RH
34	580 85 47-01	Shaft Asm Rev Tall N/Greaseabl	123	596 13 61-01	Bolt, Cup, Head, 3/8-16 x 1-1/2"
35	594 02 47-02	Blade LH	127	596 13 44-01	Bolt, 3/8-16 x 3-5/8, Gr. 5, Clr, Zinc
37	819 13 13-16	Washer 13/32 x 13/16 Ga	128	589 52 73-01	Wheel, Gauge, Wide (Rally)
40	595 53 32-01	Keeper Belt Engine LH	129	532 44 32-37	Rod Anti-Sway
44	532 19 31-95	Pulley	130	819 13 13-12	Washer 13/32 x 13/16 x 12 Ga.
47	584 30 93-01	Screw, Sems, 7/16-20 x 1, Hex, Head	131	532 19 42-08	Pin Cotter 5/16 Bow Tie Lock
48	596 13 60-01	Bolt, Cup, Head, 3/8-16 x 3/4	142	597 25 23-02	Plate, 108cm, LH, Containmentx431
49	594 02 51-02	Plate, 108cm, FR, RR, Reinforcment	152	594 03 30-01	Cable, Clutch Asm
50	595 83 96-02	Plate, Rear, Containment, MS 431	166	594 02 46-02	Bracket, Tension, Adjmnt x 431
51	594 02 50-02	Plate, 108cm, Side, Reinforcement	255	539 11 56-20	1/4-20 x 3/4 Carr, Blt
53	597 25 25-02	Plate, 108cm, LH, RR, Containment	258	584 95 39-01	Bolt, Hex, Washr, Hed, .313-18x1, 19
55	597 25 27-02	Plate, 108cm, LH, FR, Containment	264	589 39 29-01	Retainer Asm., Chute, CRD 2.5, Tex
56	597 25 28-02	Plate, 108cm, RH, FR, Containment	--	587 12 61-06	Mandrel Assembly Tall (Includes Housing (Key# 33), Shaft Assembly (Key# 34), and Bearing (Key#19) Only - Pulley/ Nut/Washer and Blade Bolt/ Washers Not Included)
57	597 25 24-02	Plate, 108cm, RH, Containment, 431			Replacement Mower Complete
58	597 25 26-02	Plate, 108cm, RH, RR, Containment			
61	594 02 52-02	Plate, 108cm, FR, LH, reinfor, 431			
62	594 03 29-01	Cable, Asmbrake			
63	585 51 78-01	Screw, Thd, Roll, 1/4-20 x 5/8	--	597 95 93-01	
67	532 40 30-12	Handle, Clutch, Cable			
69	597 25 22-01	Lower, Chute, Sealing Collar			
70	532 19 99-72	Clutch Asm., Manual			
72	581 45 41-03	Chute, Slotted, Holes, Tex, CRD, II			
76	532 41 55-98	Washout Port			

**NOTE:** All component dimensions given in U.S. inches  
1 inch = 25.4 mm



**TRACTOR - MODEL NO. TC 242T (96051019500), PRODUCT NO. 960 51 01-95**  
**MOWER LIFT 45**



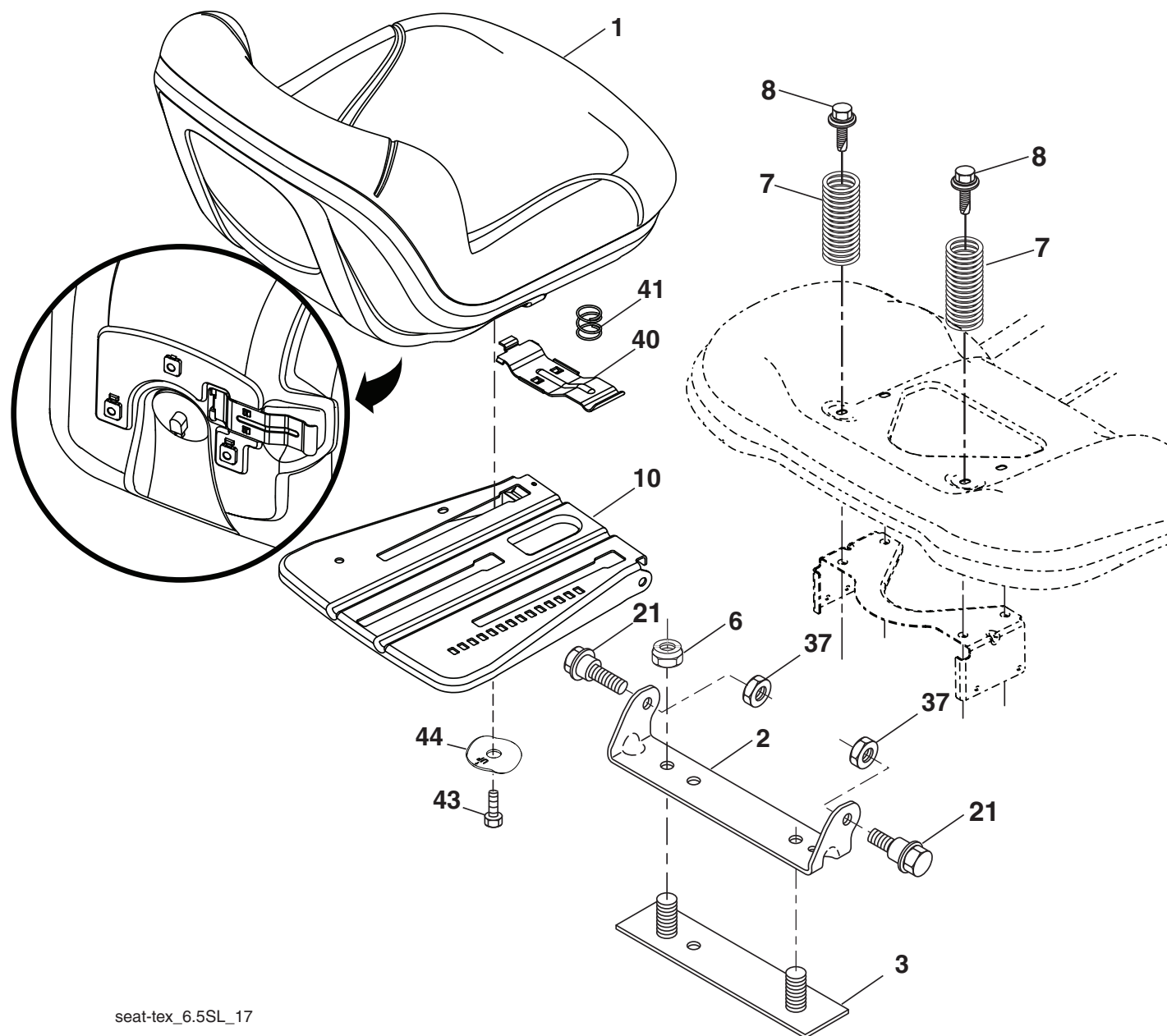
lift-tex\_62

KEY NO.	PART NO.	DESCRIPTION
2	532 43 69-96	Deck Lift Weldment
3	594 01 80-01	Lever, Lift, Handle
7	580 96 23-01	Grip, Lever
10	532 19 63-14	Spring Torsion
87	532 19 42-09	Pin Cotter 7/16 Bow Tie Lock
88	532 44 54-96	Spring Lift Assist
89	819 19 19-12	Washer Clear Zinc
90	532 19 42-08	Pin Cotter 5/16 Bow Tie Lock

KEY NO.	PART NO.	DESCRIPTION
91	589 46 48-03	Link, Assy, Lift, Rear
97	596 56 40-01	Hex, Bolt w/Collar, 3/8-16 x 0.53
98	595 96 07-01	Link, Asm
109	539 10 92-32	Pin, Clevis 3/8 x 1 1/4

**NOTE:** All component dimensions given in U.S. inches  
 1 inch = 25.4 mm

**TRACTOR - MODEL NO. TC 242T (96051019500), PRODUCT NO. 960 51 01-95  
SEAT ASSEMBLY 42**



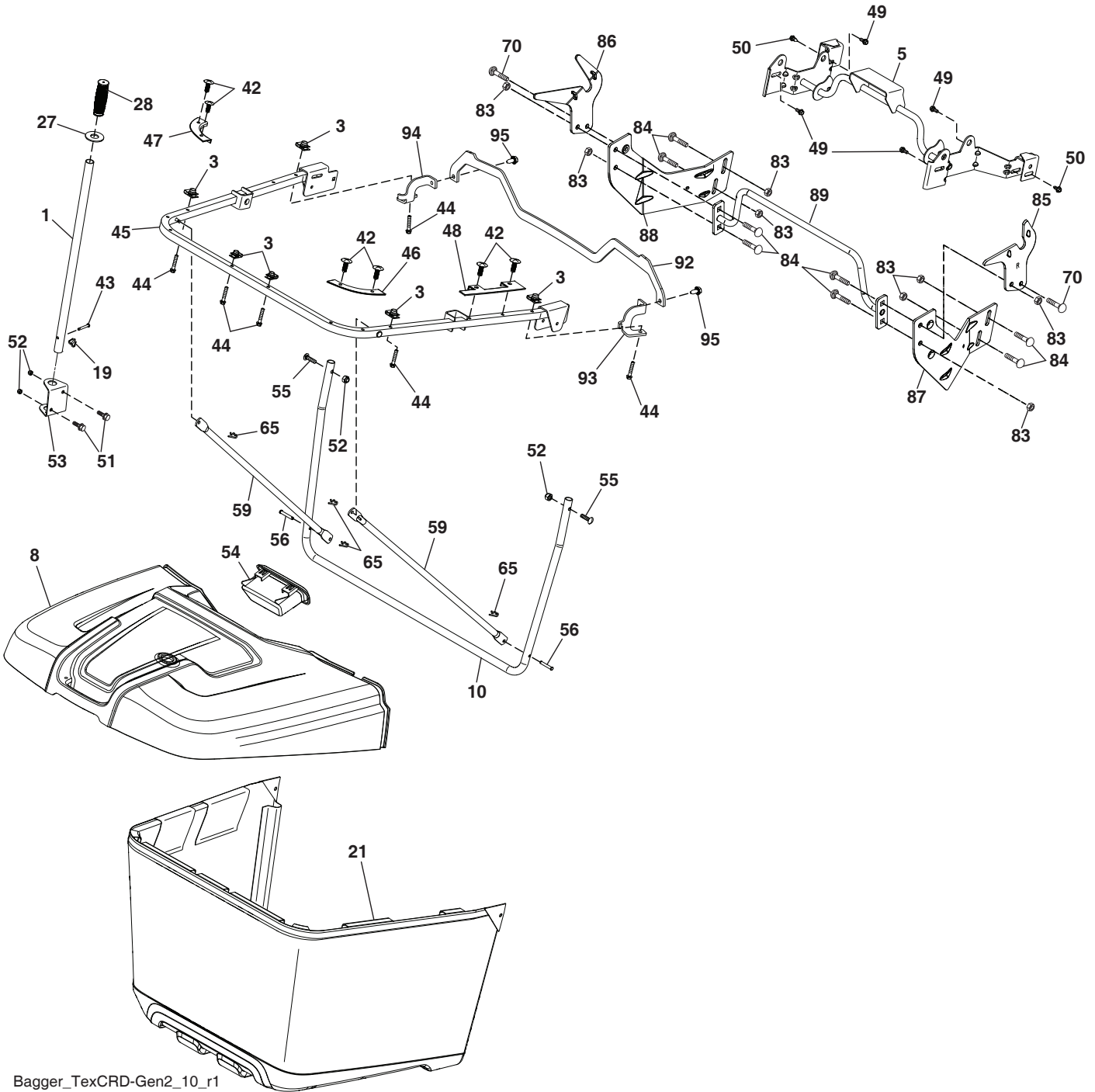
seat-tex\_6.5SL\_17

KEY NO.	PART NO.	DESCRIPTION
1	532 43 98-22	Seat
2	532 18 01-66	Bracket Pivot Fender
3	532 14 06-75	Strap, Asm Fender
6	873 80 06-00	Nut, Lock w/Ins. 3/8-16 unc
7	589 48 35-01	Spring, Seat Cprsn
8	532 17 18-77	Bolt 5/16-18 unc x 3/4 w/Sems
10	596 65 74-02	Seat Plate
21	587 90 78-01	Bolt, Shoulder 5/16-18 x 5/8

KEY NO.	PART NO.	DESCRIPTION
37	873 80 05-00	Nut, Lock 5/16-18 unc
40	532 19 76-61	Handle Slide Seat
41	532 19 82-00	Spring Latch Seat
43	874 76 06-12	Bolt Fin Hex 3/8-16 unc x 3/4
44	501 05 18-01	Washer Winged

**NOTE:** All component dimensions given in U.S. inches  
1 inch = 25.4 mm

**TRACTOR - MODEL NO. TC 242T (96051019500), PRODUCT NO. 960 51 01-95**  
**BAGGER 46**



Bagger\_TexCRD-Gen2\_10\_r1

**TRACTOR - MODEL NO. TC 242T (96051019500), PRODUCT NO. 960 51 01-95  
BAGGER 46**

KEY NO.	PART NO.	DESCRIPTION
1	532 42 86-10	Tube Handle Bagger
3	532 17 48-14	Nut Push
5	532 44 37-62	Frame Asm Top Bagger
8	587 58 86-01	Cover Bagger
10	532 44 37-55	Frame Front
19	532 19 42-08	Cotter Pin 5/16 Bow Tie
21	581 33 71-03	Bag Asm
27	532 44 55-29	Grommet Rubber
28	532 16 57-87	Grip Handle Black
42	532 44 04-28	Christmas Tree Clip
43	532 12 68-75	Clevis Pin
44	532 19 96-87	Bolt 1/4-20 1.50
45	532 44 37-54	Upper U Frame Weldment
46	532 44 55-41	Bagger Corner Close-Out RH
47	532 44 40-79	Bagger Corner Close-Out LH
48	532 44 40-80	Top Bagger Side Close-Out
49	532 17 18-73	Bolt Shoulder 5/16-18 TT
50	532 17 18-77	Bolt 5/16-18 unc x 3/4 w/SEMS
51	872 11 05-06	Bolt RDHDSQNK 5/16-18 unc x 3/4
52	873 80 05-00	Nut Lock HX w/Ins 5/16-18 unc
53	532 44 41-95	Bracket Dump Handle
54	532 44 72-18	Bagger TOP Front Handle
55	539 10 29-33	Bolt RHSNB 5/16-18 x 1 1/2
56	532 42 03-06	Pin Clevis 1.83 OD x 1.26 long
59	532 44 47-63	Bagger Spread Tube
65	532 00 44-97	Clip Retainer
70	817 00 06-12	Bolt 3/8-16 x 3/4
83	873 80 06-00	Nut Lock Hex w/Ins 3/8-16
84	872 11 06-08	Bolt RDHD SQNK 3/8-16 x 1 Gr. 5
85	581 31 44-02	Bracket RH Pivot
86	581 31 43-02	Bracket LH Pivot
87	581 31 48-02	Bracket RH
88	581 31 47-02	Bracket LH
89	581 31 51-04	Tube Asm.
92	586 05 23-02	Bracket Top Support
93	586 05 24-02	Bracket Support RH
94	586 05 25-02	Bracket Support LH
95	817 00 05-12	Screw 5/16-18 x 3/4
--	501 70 56-01	Bagger Dump Kit (Includes Key#'s 85, 86, 87, 88, & 89)
--	586 74 49-01	Bagger Complete Kit (Includes Key#'s 1, 5, 10, 19, 21, 27, 28, 42, 43, 46, 47, 48, 49, 50, 52, 54, 56, 59, 65)

**NOTE:** All component dimensions given in U.S. inches  
1 inch = 25.4 mm

