

SRM-2621ES/U

Serial Number

38000001-38999999

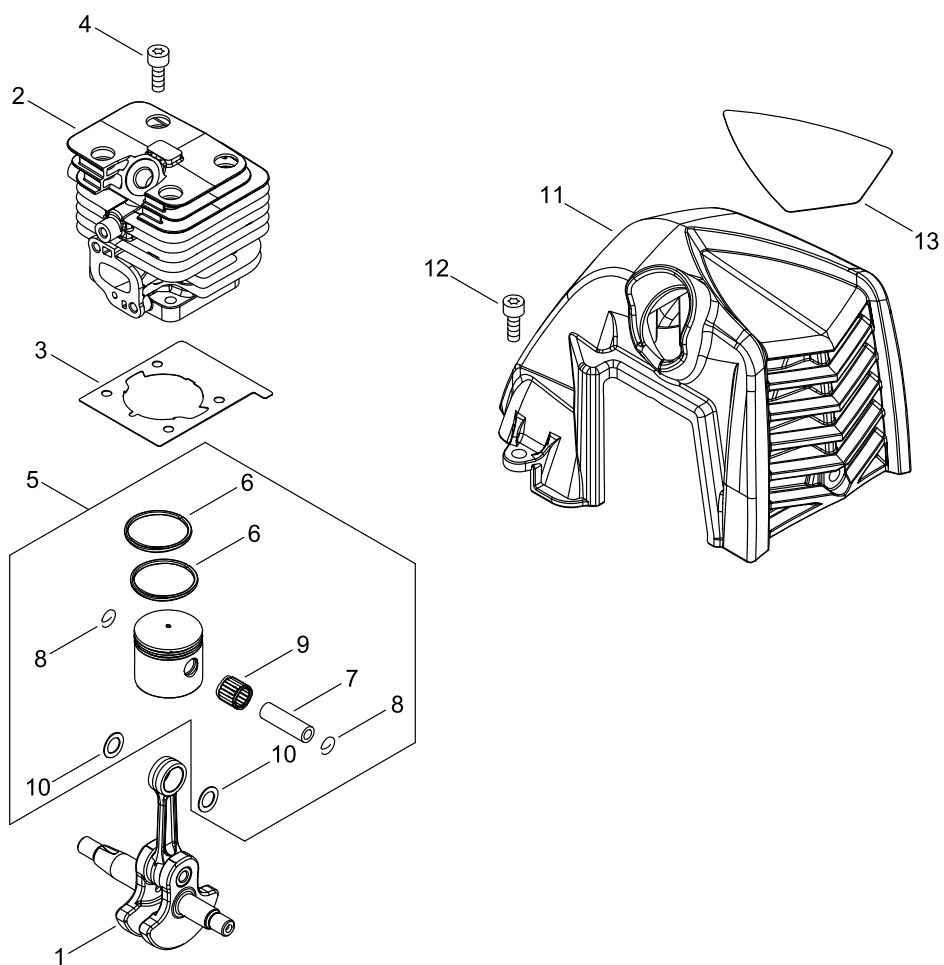
Last updated date

16/Jan/2023

TABLE OF CONTENTS

CYLINDER, PISTON, CRANKSHAFT	1
CRANKCASE	3
MAGNETO.....	5
CLUTCH.....	7
AIR CLEANER, CARBURETOR.....	9
CARBURETOR.....	11
FUEL TANK	13
MUFFLER.....	15
RECOIL STARTER, PULLY	17
GEAR CASE, SHIELD	19
MAIN PIPE, HANDLE.....	21
THROTTLE.....	23
ACCESSORIES	25

CYLINDER, PISTON, CRANKSHAFT



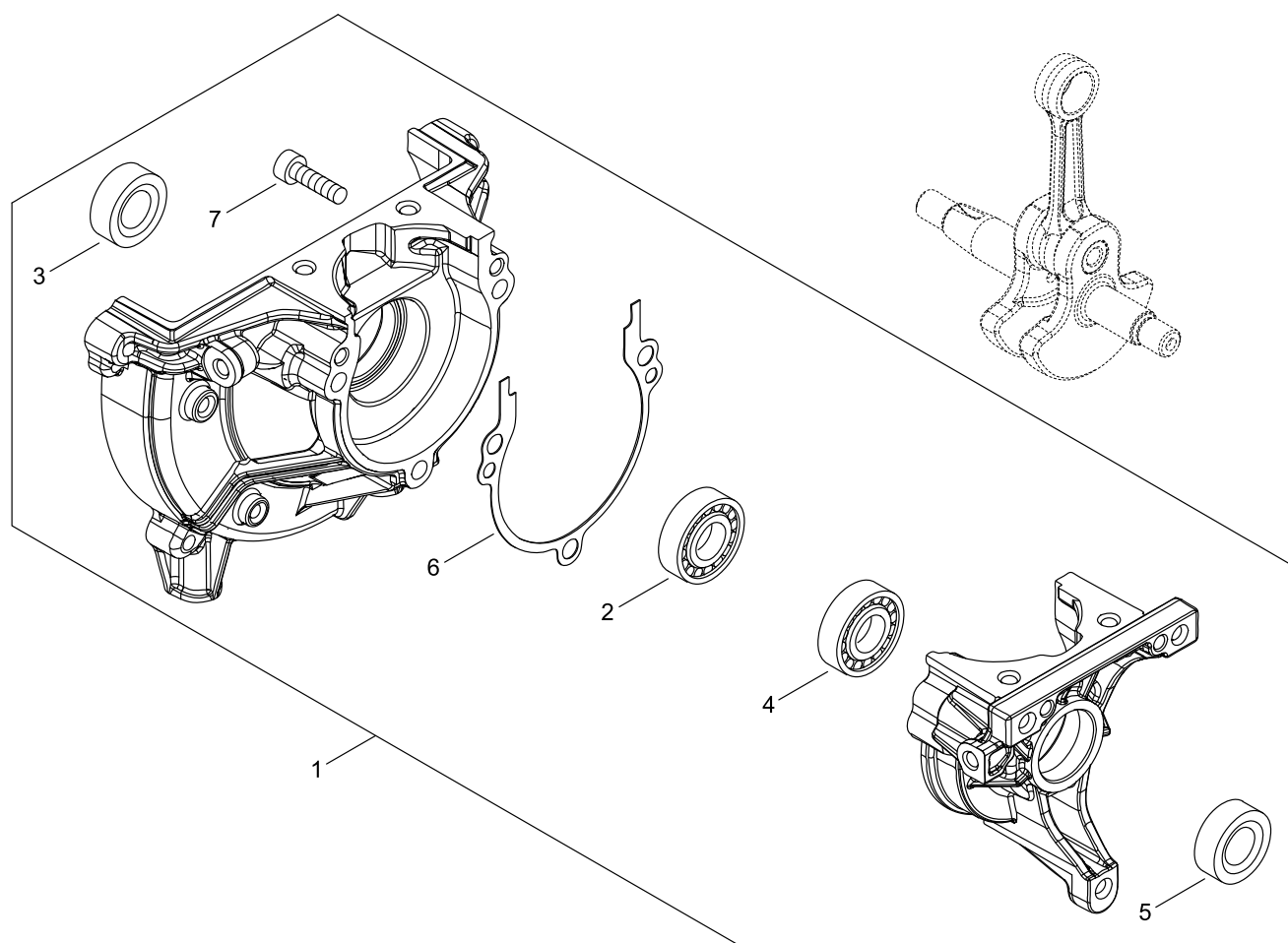
CYLINDER, PISTON, CRANKSHAFT

Key No.	LV (+)	Parts Number	Parts Description	Qty	Standard	Class
1		A011-001460	CRANKSHAFT,ASY	1		D
2		A130-002330	CYLINDER	1		D
3		V100-000840	GASKET,CYL	1		B
4		V805-000210	BOLT, TORX 5	4	TB-5*20 12.9	C
5		P021-050840	PISTON KIT	1		
6	+	A101-000010	RING,PISTON	2		B
7	+	100013-35430	PIN, PISTON	1	6*9*27.8	D
8	+	100015-03931	CIRCLIP, PISTON PIN	2		C
9	+	V554-000020	BEARING,NEEDLE 9	1	KTV-91212EG14-B2	C
10	+	100014-53630	SPACER, PISTON PIN	2		C
11		A160-003280	COVER,CYLINDER	1		C
12		V835-000010	BOLT, TORX 5	2	TB-5*12 10.9	C
13		X503-015820	LABEL,MODEL	1	SRM-2621ES	D

Class : Consumable class

A:Fast moving parts B:Semi-fast moving parts C:Slow moving parts D:Order only as needed

CRANKCASE



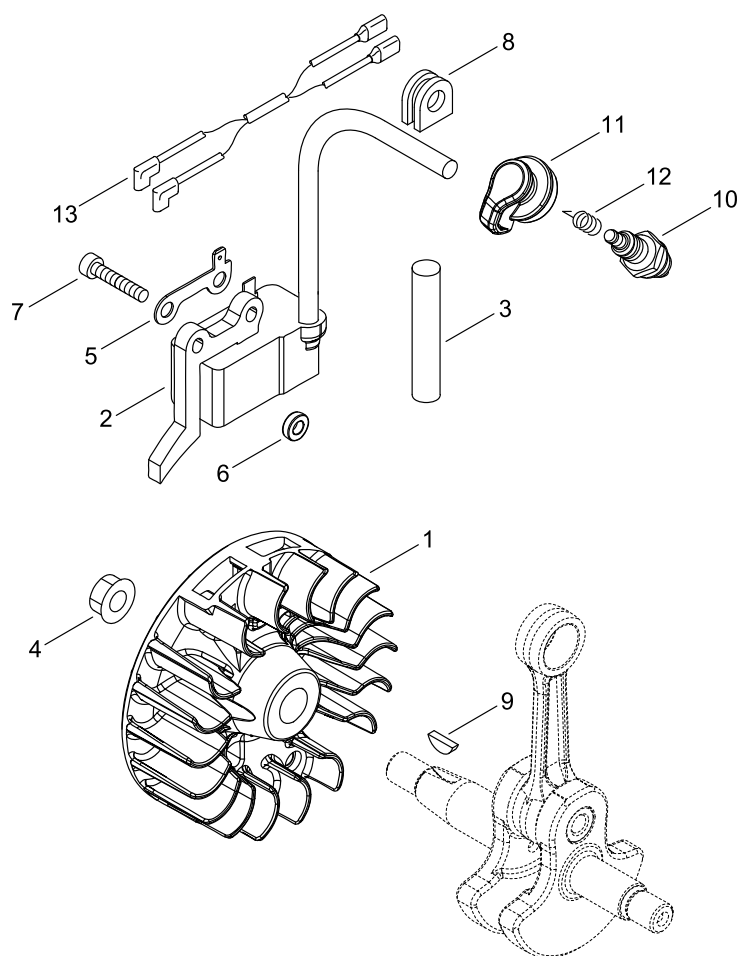
CRANKCASE

Key No.	LV (+)	Parts Number	Parts Description	Qty	Standard	Class
1		P021-050850	CRANKCASE KIT	1		
2	+	900800-36001	BEARING, BALL	1	6001	
3	+	100212-42031	OILSEAL	1	ISCD 12*22*4.5	C
4	+	900810-36000	BEARING, BALL	1	6000	
5	+	V503-000040	SEAL,OIL 10	1	ISCD 10*20*5F	C
6	+	V102-000300	GASKET,CRANKCASE	1		B
7	+	V805-000220	BOLT, TORX 5	3	TB-5*25 12.9	C

Class : Consumable class

A:Fast moving parts B:Semi-fast moving parts C:Slow moving parts D:Order only as needed

MAGNETO



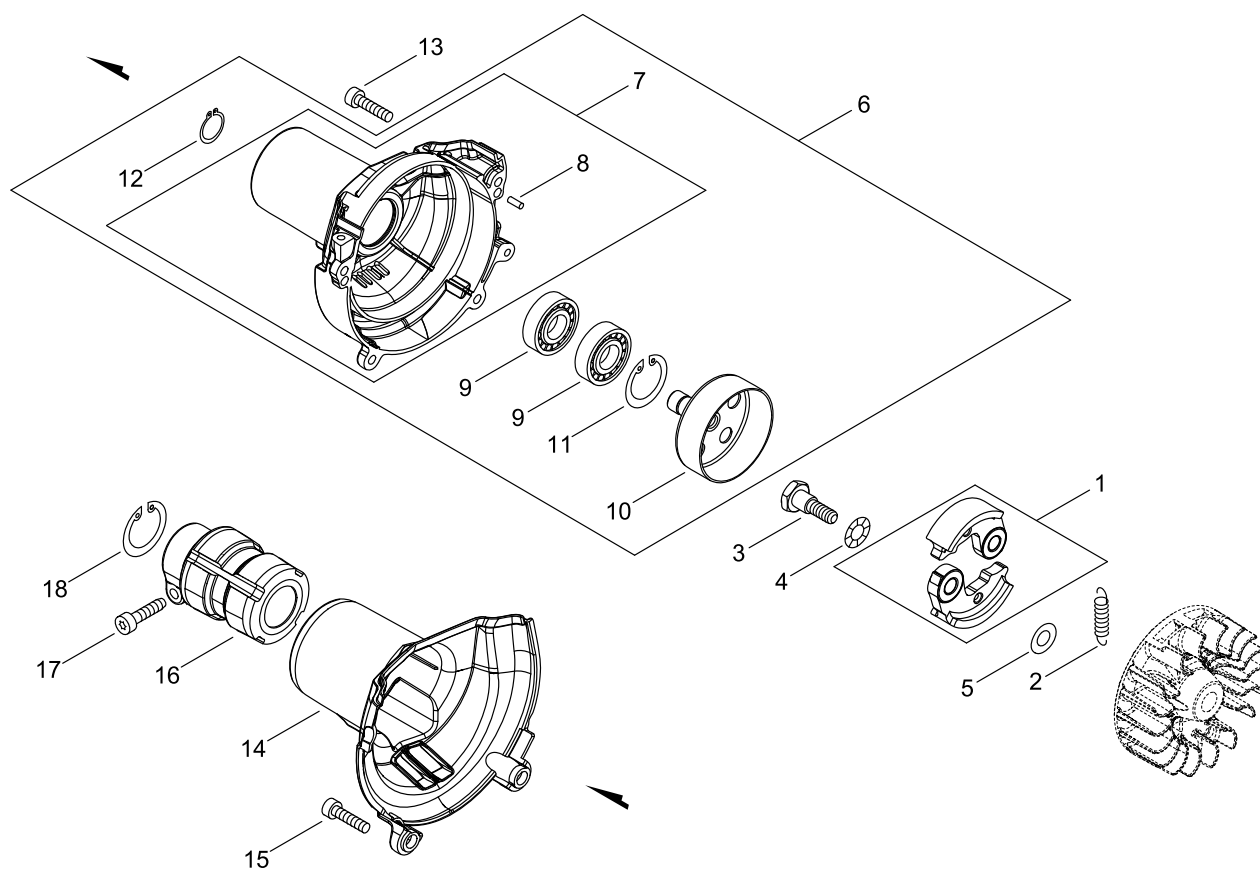
MAGNETO

Key No.	LV (+)	Parts Number	Parts Description	Qty	Standard	Class
1		A409-001320	ROTOR, MAGNETO	1		C
2		A411-001791	COIL, IGNITION	1	ID#A10073識別1	C
3		V475-007540	TUBE	1		C
4		900515-00008	NUT, FLANGE	1	8	
5		C152-001030	CONNECTOR	1		C
6		V323-000070	WASHER,CIRCULAR 5	2	5.2*10*3	C
7		V805-000210	BOLT, TORX 5	2	TB-5*20 12.9	C
8		156110-04920	BUSHING	1		C
9		100142-12330	KEY, WOODRUFF	1		C
10		A425-000060	SPARKPLUG	1	CMR7H	A
11		A427-000221	CAP,SPARK PLUG	1		C
12		A426-000010	TERMINAL,SPARKPLUG	1		C
13		V485-002880	LEAD	1		C

Class : Consumable class

A:Fast moving parts B:Semi-fast moving parts C:Slow moving parts D:Order only as needed

CLUTCH



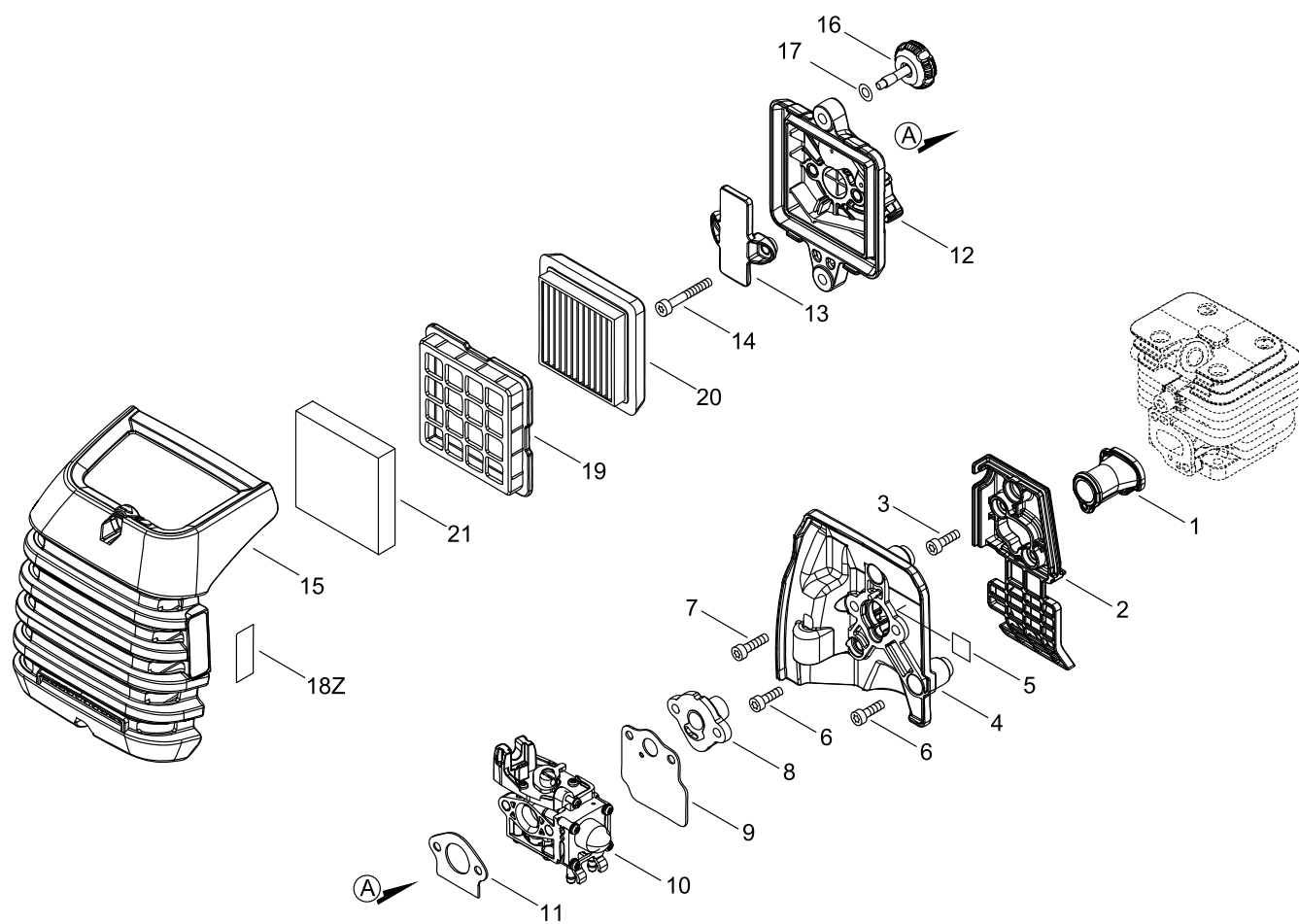
CLUTCH

Key No.	LV (+)	Parts Number	Parts Description	Qty	Standard	Class
1		P100-002270	ARM,CLUTCH SET	1		
2		V451-001390	SPRING,TENSION	1	172N/34MM	B
3		175046-56030	SHAFT, CLUTCH	2		B
4		175049-56030	WASHER	2	8.5*16*0.5	C
5		175048-05530	WASHER (I)	2	6.2*19*1.0	C
6		P021-051002	FAN COVER ASY	1		
7	+	A172-003142	COVER,FAN	1		C
8	++	900330-40080	ROLLER	2	4*8	
9	+	900807-06001	BEARING, BALL	2	6001LB	
10	+	A556-001750	DRUM, CLUTCH	1		B
11	+	900702-00028	RETAINING RING	1	CR-28	
12	+	900701-00012	RETAINING RING	1	CS-12	
13		V805-000150	BOLT, TORX 5	2	TB-5*16 10.9	C
14		A413-000080	BOOT	1		C
15		V805-000160	BOLT, TORX 5	2	TB-5*20 10.9	C
16		A575-000690	FIXTURE, MAIN PIPE	1		C
17		V805-000170	BOLT, TORX 5	1	TB-5*25 10.9	C
18		900702-00042	RETAINING RING	1	CR-42	

Class : Consumable class

A:Fast moving parts B:Semi-fast moving parts C:Slow moving parts D:Order only as needed

AIR CLEANER, CARBURETOR



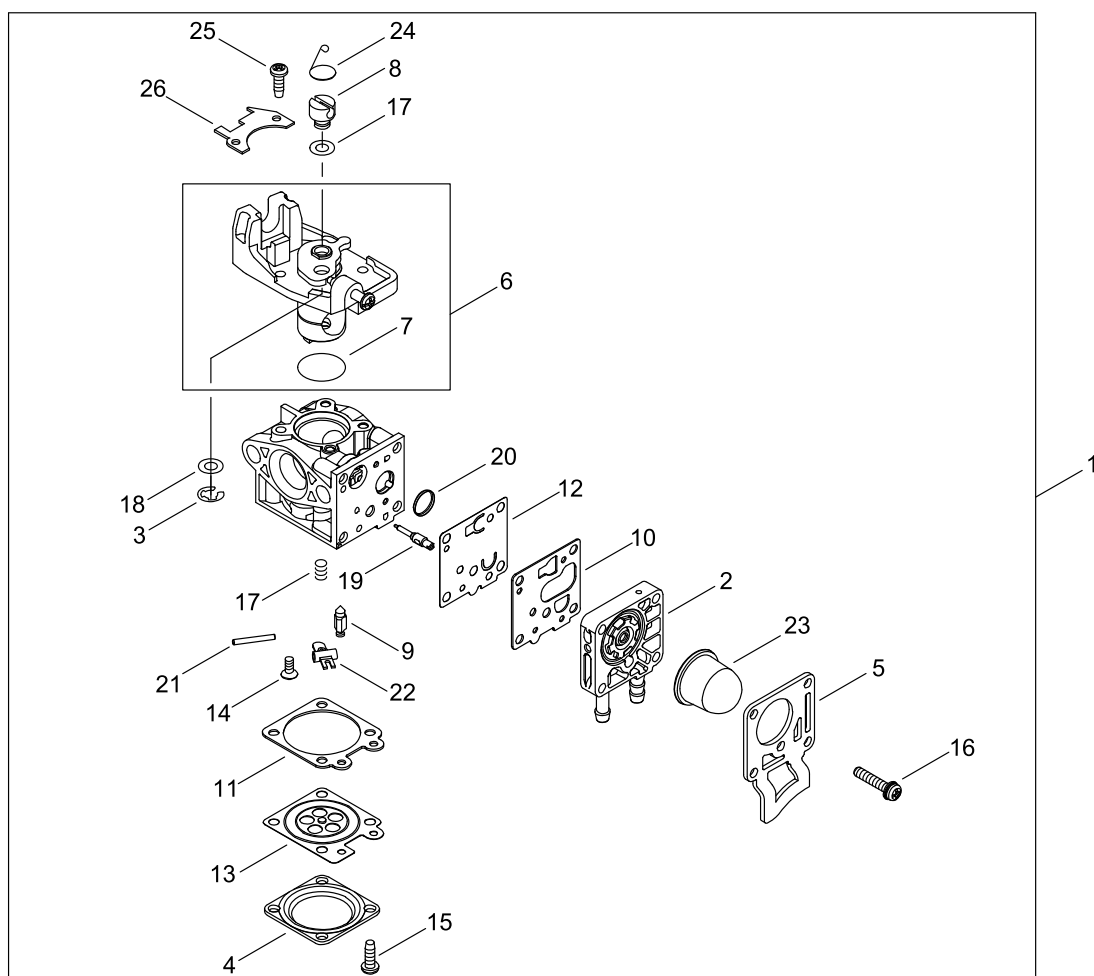
AIR CLEANER, CARBURETOR

Key No.	LV (+)	Parts Number	Parts Description	Qty	Standard	Class
1		A202-000300	BELLOWS, INTAKE	1		C
2		A206-000040	HOLDER, BELLOWS	1		C
3		V253-001020	SCREW,5	2	TB2411 10MM	C
4		A209-001010	PLATE, INSULATOR	1		C
5		X524-001901	LABEL	1		D
6		V805-000150	BOLT, TORX 5	2	TB-5*16 10.9	C
7		V855-000000	BOLT, TORX 5	1	TB-5*20	C
8		A209-001000	PLATE, INSULATOR	1		C
9		V103-001890	GASKET,INTAKE	1		A
10		A021-004601	CARBURETOR,DIAPHRAGM	1	WYG-9" . .	B
11		V103-001900	GASKET,INTAKE	1		A
12		P021-050880	CLEANER CASE ASY	1		
13		A244-000370	PLATE,PREVENT	1		C
14		V805-000340	BOLT, TORX 5	2	TB-5*60 10.9	C
15		A232-001890	LID,CLEANER	1		C
16		V299-000640	KNOB,FASTENER	2		C
17		V340-000210	WASHER	2	5.6*11.3	C
18Z		890332-52730	LABEL, CHOKE	1		D
19		A227-000050	PLATE, ELEMENT	1		C
20		A226-002030	ELEMENT, AIR FILTER	1		A
21		A226-002040	ELEMENT, AIR FILTER	1	HP-70	A

Class : Consumable class

A:Fast moving parts B:Semi-fast moving parts C:Slow moving parts D:Order only as needed

CARBURETOR



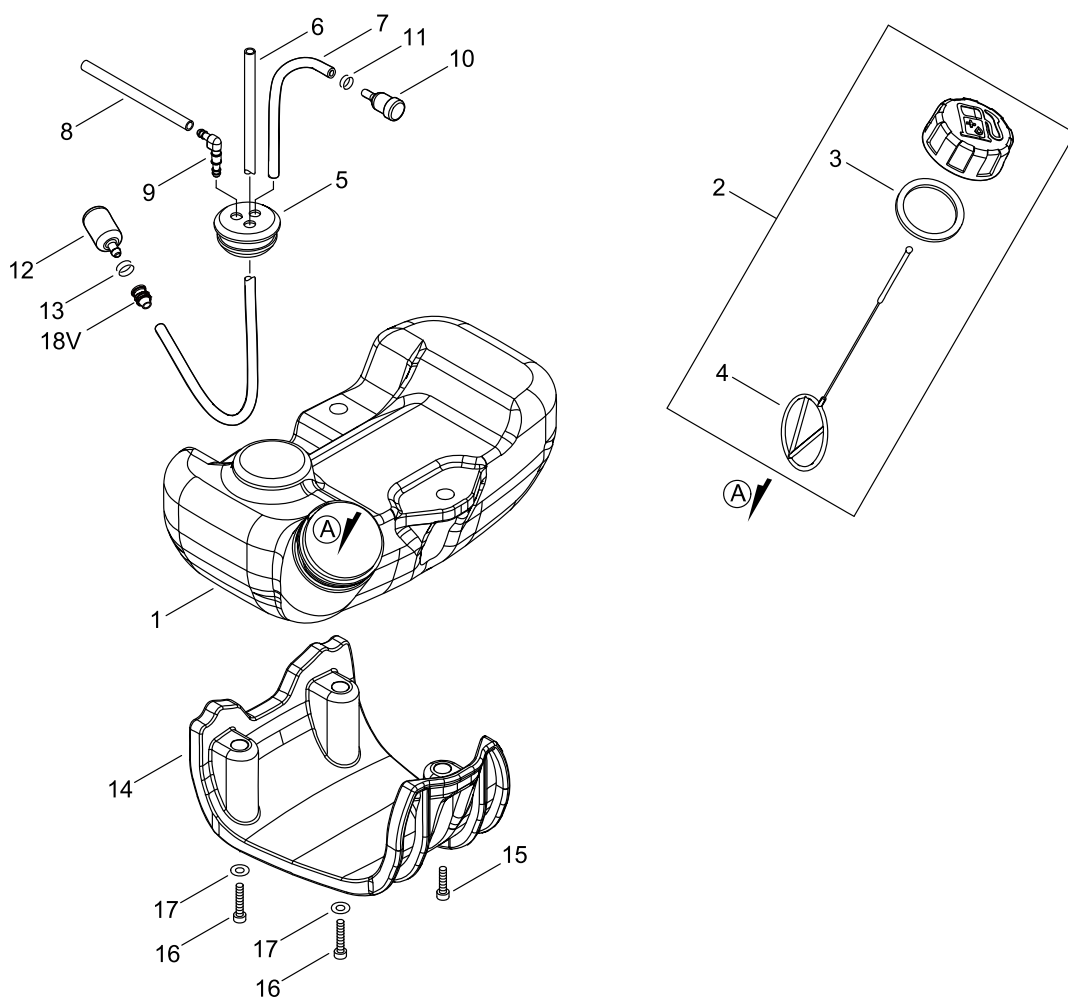
CARBURETOR

Key No.	LV (+)	Parts Number	Parts Description	Qty	Standard	Class
1		A021-004601	CARBURETOR,DIAPHRAGM	1	WYG-9" . .	B
2	+	P003-006120	BODY ASSEMBLY, PUMP	1		
3	+	123173-07930	CLIP	1		C
4	+	123142-03930	COVER, M. DIAPHRAGM	1		D
5	+	P003-006500	COVER, FUEL PUMP	1		
6	+	P003-006140	VALVE, THROTTLE	1		
7	++	P003-004480	O-RING	1		
8	+	P003-005850	SWIVEL	1		
9	+	123137-19830	VALVE, INLET NEEDLE	1		D
10	+	P003-004530	GASKET, FUEL PUMP	1		
11	+	123140-27230	GASKET,M. DIAPHRAGM	1		A
12	+	P003-004540	DIAPHRAGM, FUEL PUMP	1		
13	+	P003-001670	DIAPHRAGM, METERING	1		
14	+	P003-005860	SCREW	1		
15	+	P003-004560	SCREW	4		
16	+	P003-004570	SCREW	4		
17	+	P003-005870	SPRING	1		
18	+	P003-001710	WASHER	2		
19	+	P003-005880	NEEDLE	1		D
20	+	123126-10631	SCREEN, INLET	1		B
21	+	123138-03930	PIN, METERING LEVER	1		D
22	+	P003-001630	LEVER, METERING	1		
23	+	123181-09560	PUMP, PRIMER	1		
24	+	P003-005890	CLIP	1		
25	+	123114-40630	SCREW	3		D
26	+	P003-005900	PLATE	1		

Class : Consumable class

A:Fast moving parts B:Semi-fast moving parts C:Slow moving parts D:Order only as needed

FUEL TANK



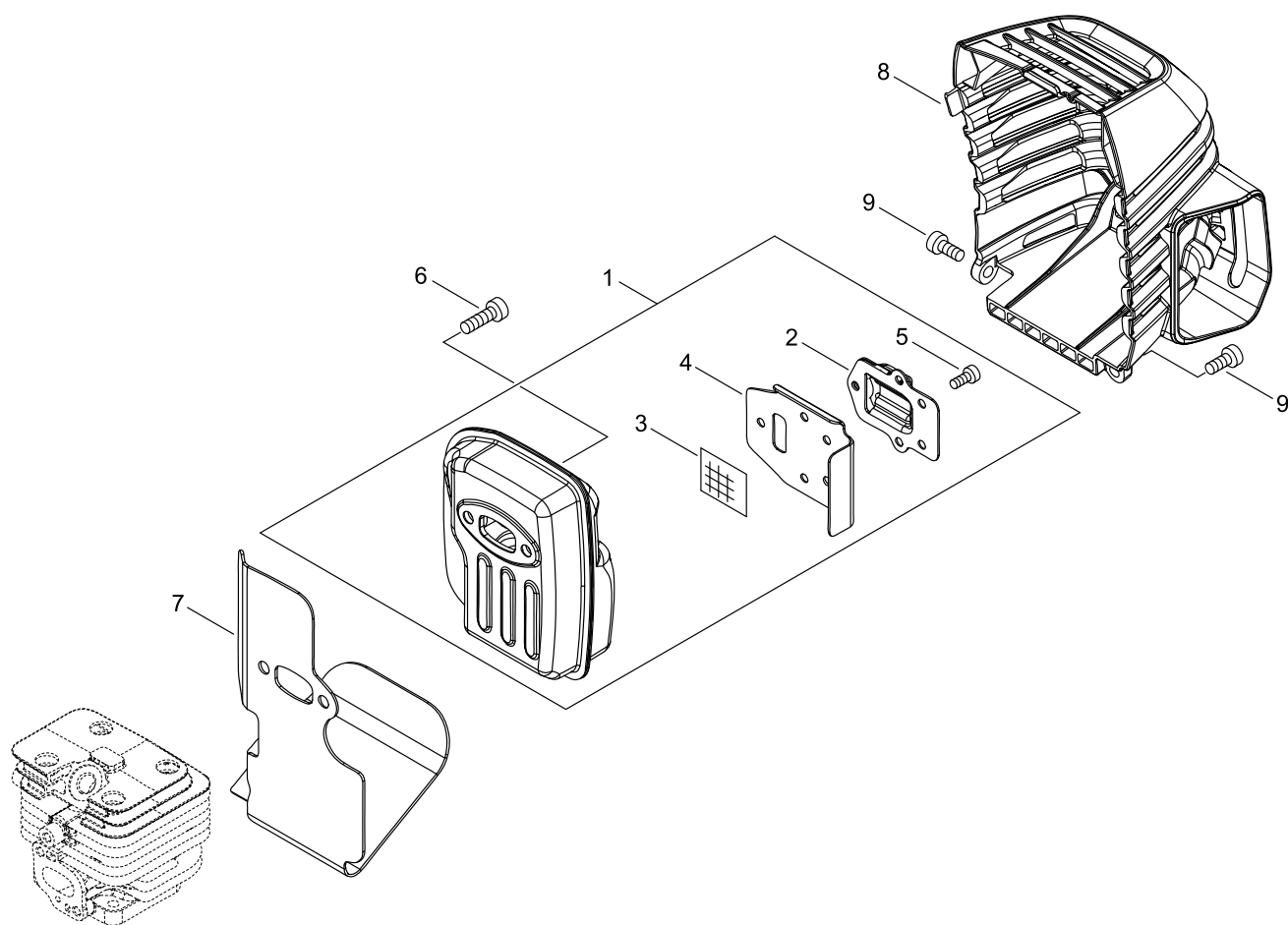
FUEL TANK

Key No.	LV (+)	Parts Number	Parts Description	Qty	Standard	Class
1		A350-002350	TANK, FUEL	1		C
2		P021-012211	CAP,FUEL ASY	1		C
3	+	V107-000190	GASKET,FUEL CAP	1	37.9* T 2.2	A
4	+	A365-000060	CONNECTOR,CAP	1	L=123	B
5		132115-55931	GROMMET, FUEL	1	3 φ5	C
6		V471-001231	PIPE	1	3*5*210	C
7		132010-06531	PIPE 3* 6* 85	1	3*6*85	C
8		132012-56030	PIPE	1	3*6*80 YL	C
9		V186-000500	JOINT,PIPE	1		C
10		A356-000031	VALVE,CHECK	1		B
11		V490-001230	CLIP	1		C
12		A369-000470	STRAINER, FUEL	1		A
13		V490-001240	CLIP	1		C
14		A175-000040	STAND	1		C
15		V805-000160	BOLT, TORX 5	1	TB-5*20 10.9	C
16		V805-000170	BOLT, TORX 5	2	TB-5*25 10.9	C
17		900602-00005	WASHER	2	5	
18V		A413-000190	BOOT	1		C

Class : Consumable class

A:Fast moving parts B:Semi-fast moving parts C:Slow moving parts D:Order only as needed

MUFFLER



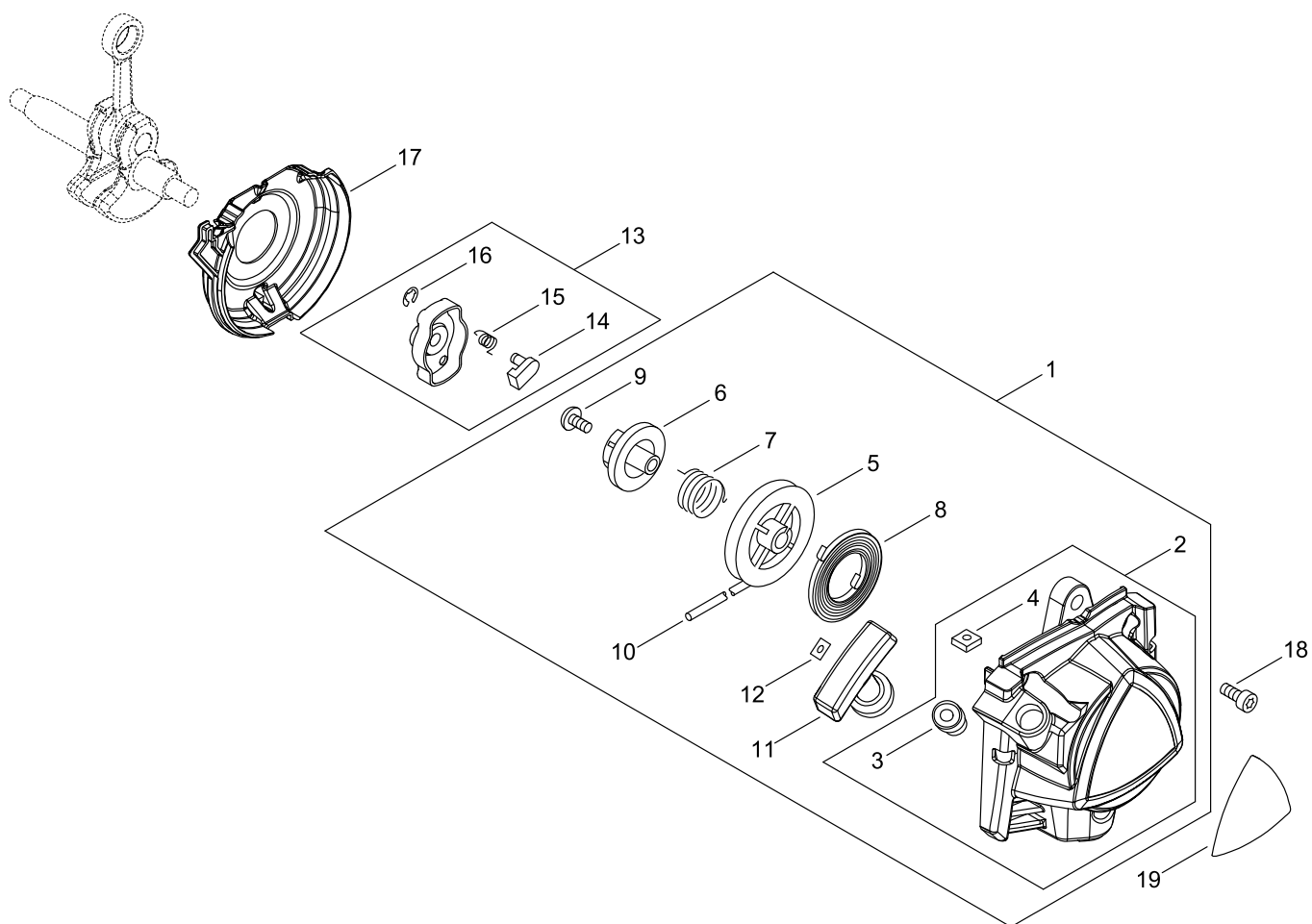
MUFFLER

Key No.	LV (+)	Parts Number	Parts Description	Qty	Standard	Class
1		P100-004021	MUFFLER ASY	1		
2	+	A313-002060	GUIDE, EXHAUST	1		C
3	+	145862-40630	SCREEN, MUFFLER	1		B
4	+	V104-002300	GASKET,EXHAUST	1		A
5	+	V804-000030	BOLT, TORX 4	5	TB-4*8 10.9	C
6		V805-000250	BOLT, TORX 5	2	TB-5*16 12.9	C
7		V104-002310	GASKET,EXHAUST	1		A
8		A320-001200	COVER,MUFFLER	1		C
9		V835-000010	BOLT, TORX 5	2	TB-5*12 10.9	C

Class : Consumable class

A:Fast moving parts B:Semi-fast moving parts C:Slow moving parts D:Order only as needed

RECOIL STARTER, PULLY



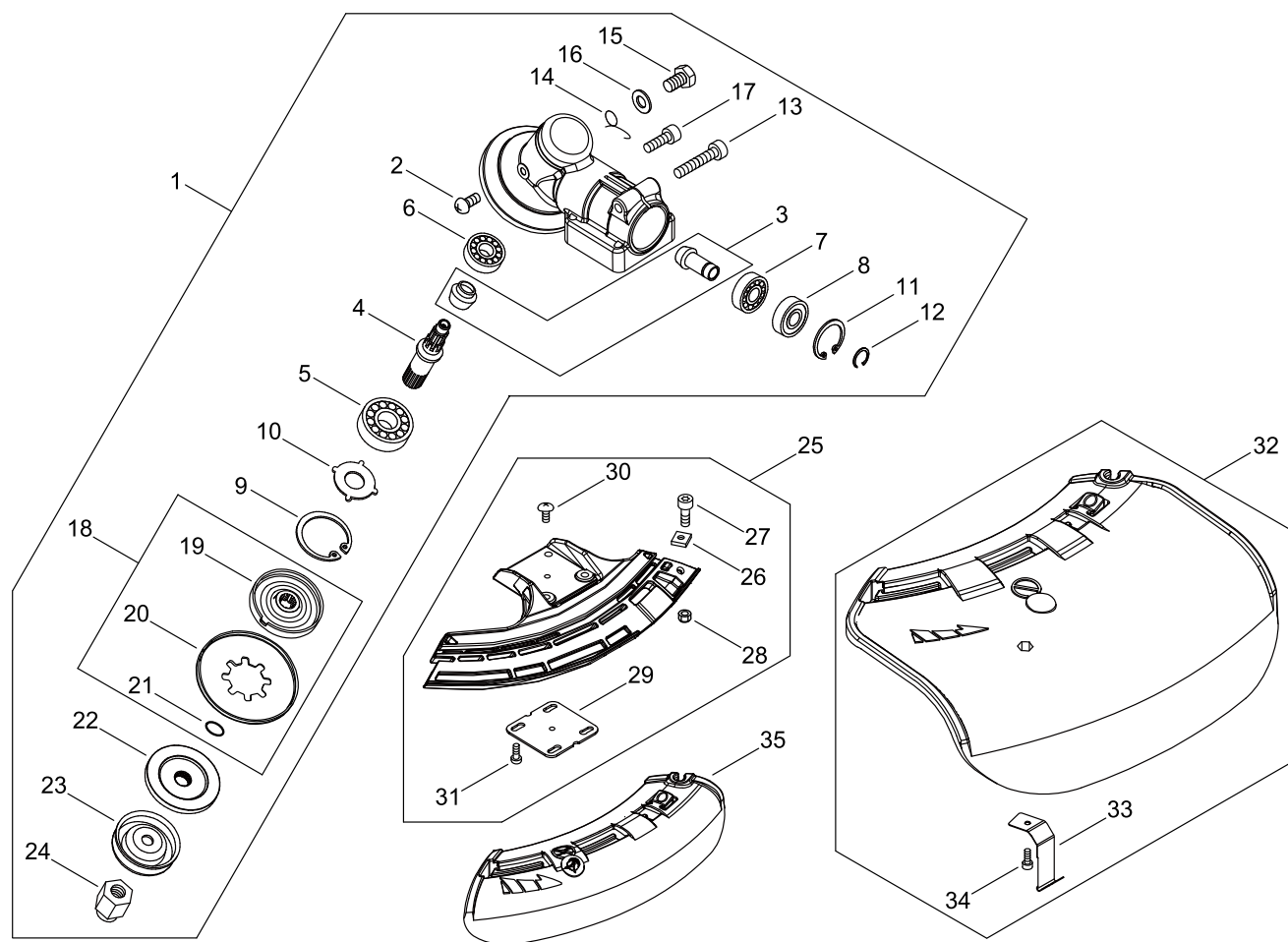
RECOIL STARTER, PULLY

Key No.	LV (+)	Parts Number	Parts Description	Qty	Standard	Class
1		A051-003220	STARTER,RECOIL ASY	1		B
2	+	P022-043670	STATER CASE	1		
3	++	P022-045770	GUIDE, ROPE	1		C
4	++	P022-022010	NUT	2		
5	+	P022-033320	DRUM, STARTER	1		
6	+	P022-033310	PLATE, CAM	1		
7	+	P022-008270	SPRING,DAMPER	1		C
8	+	177220-40630	SPRING, REWIND	1		B
9	+	177236-61830	SCREW	1		C
10	+	P022-022110	ROPE, STARTER	1		
11	+	177228-27030	GRIP, STARTER	1		C
12	+	P022-037670	STOPPER, ROPE	1		C
13		A052-000180	PULLEY,ASM STARTER	1		C
14	+	P022-006850	PAWL, STARTER	2		C
15	+	P022-006510	SPRING, RETURN	2		C
16	+	P022-002100	E-RING	2	4	C
17		A127-000470	COVER,DUST	1		C
18		V805-000140	BOLT, TORX 5	3	TB-5*12 10.9	C
19		X547-003700	LABEL,ECHO	1	ECHO+SRM-2621ES	D

Class : Consumable class

A:Fast moving parts B:Semi-fast moving parts C:Slow moving parts D:Order only as needed

GEAR CASE, SHIELD



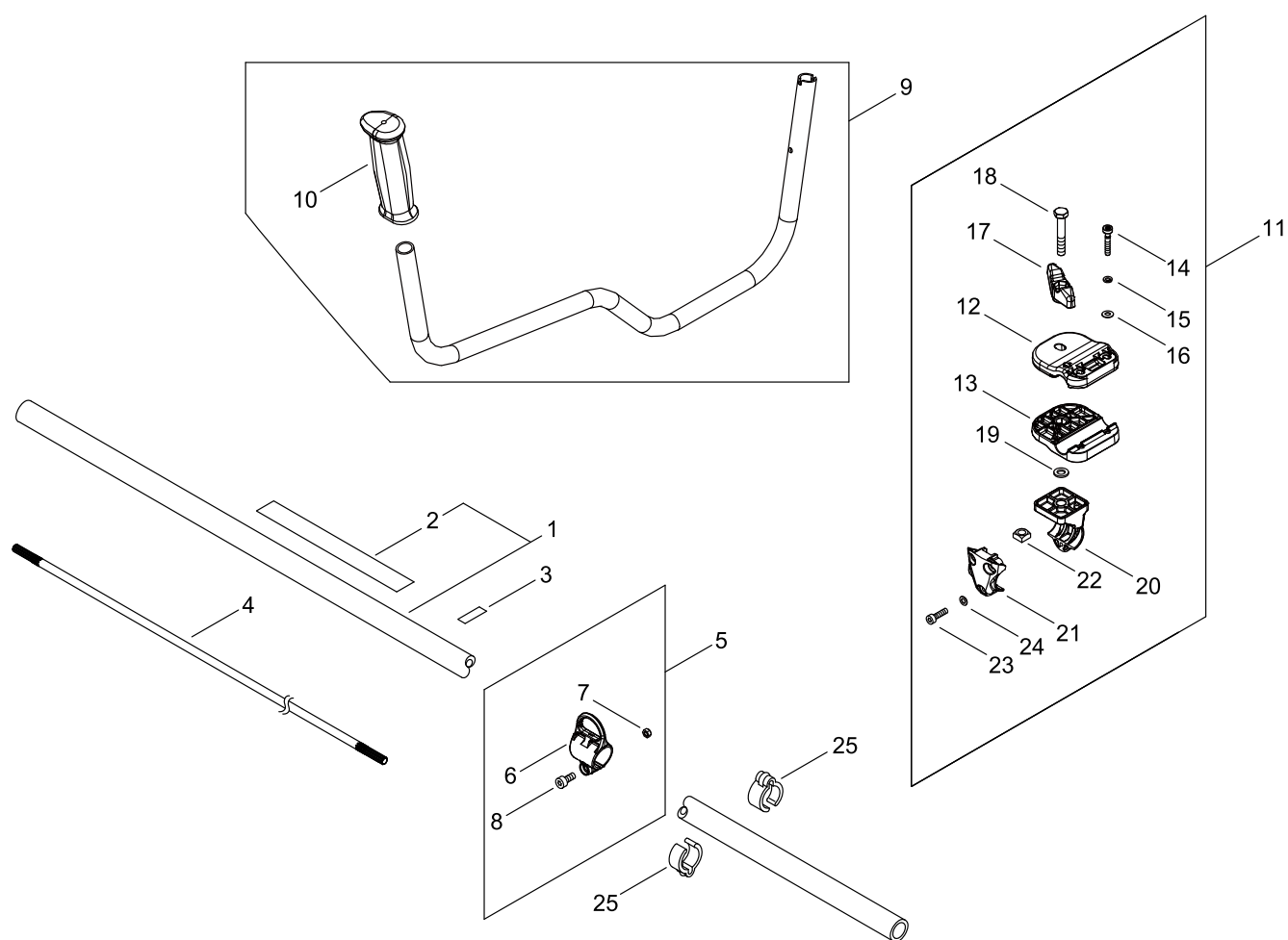
GEAR CASE, SHIELD

Key No.	LV (+)	Parts Number	Parts Description	Qty	Standard	Class
1		P021-050951	GEAR CASE ASY	1		
2	+	900220-04006	SCREW	1	4*6	
3	+	610300-25531	GEAR SET	1	7S	D
4	+	610310-56832	SHAFT, P.T.O.	1	12*10*1	D
5	+	900812-06201	BEARING, BALL	1	6201LLU(DDU)	
6	+	94060-00626	BEARING, BALL	1	626	C
7	+	94060-06900	BEARING, BALL	1	6900	C
8	+	94063-06900	BEARING, BALL	1	6900Z	
9	+	900702-00032	RETAINING RING	1	CR-32	
10	+	610444-56830	WASHER	1		C
11	+	900702-00022	RETAINING RING	1	CR-22	
12	+	900706-00010	RETAINING RING	1	WR-10	
13	+	V806-000020	BOLT, TORX 6	1	TB-6*25 10.9	C
14	+	V452-001310	SPRING,TORSION	1		B
15	+	610434-50031	BOLT 8* 8	1	M8*8	B
16	+	900603-50008	WASHER	1	8.5*18*0.8T	C
17	+	V805-000140	BOLT, TORX 5	1	TB-5*12 10.9	C
18	+	P100-009780	FIXTURE, BLADE SET	1		B
19	++	610313-52132	FIXTURE, BLADE	1		C
20	++	610352-56830	PLATE, CUP	1		B
21	++	900720-00012	O-RING	1	P-12	
22	+	610314-52130	PLATE, ADAPTER (L)	1		B
23	+	699229-56830	PLATE, COVER	1		B
24	+	610320-52130	NUT 10	1		B
25		P100-010520	SHIELD ASY	1		B
26	+	900565-00005	NUT, SQUARE	1	5	
27	+	V805-000170	BOLT, TORX 5	1	TB-5*25 10.9	C
28	+	900562-00005	NUT, LOCK	1	5	
29	+	C552-000200	PLATE, SHIELD	1		D
30	+	91316-04010	SCREW	1	4*10	C
31	+	V805-000260	BOLT, TORX 5	4	TB5*25 10.9	C
32		P021-041320	SHIELD ASY, BLADE	1		
33	+	C554-000030	KNIFE, CORD	1	17INCH	B
34	+	V805-000150	BOLT, TORX 5	1	TB-5*16 10.9	C
35		C550-000551	SHIELD, BLADE	1		B

Class : Consumable class

A:Fast moving parts B:Semi-fast moving parts C:Slow moving parts D:Order only as needed

MAIN PIPE, HANDLE



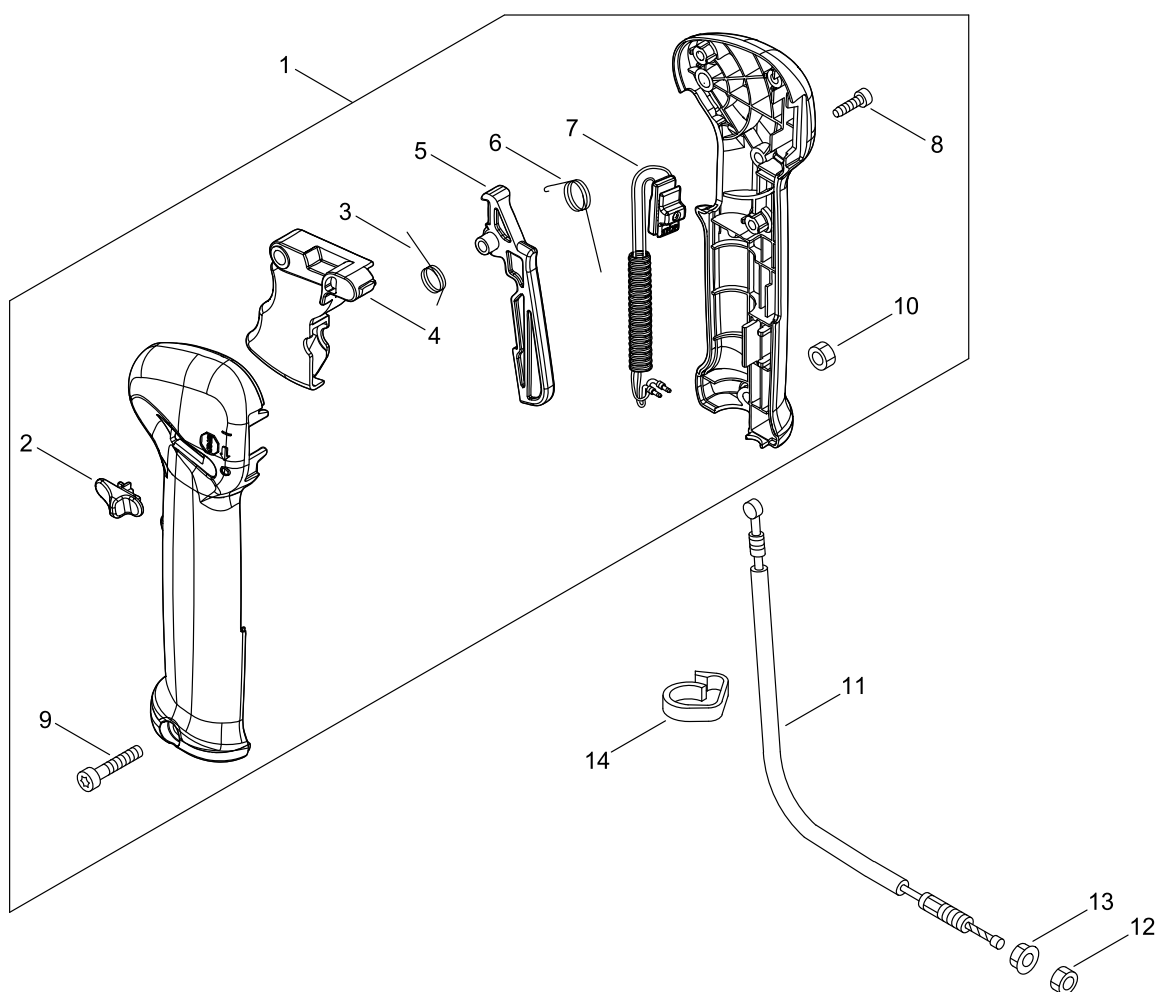
MAIN PIPE, HANDLE

Key No.	LV (+)	Parts Number	Parts Description	Qty	Standard	Class
1		P021-049000	MAIN PIPE ASY	1		
2	+	890617-43130	LABEL,CAUTION	1		D
3		890152-04930	LABEL, CAUTION	1		D
4		C504-000050	SHAFT,DRIVE	1	7*1540	C
5		P100-010550	HOOK ASY	1		D
6	+	C670-000240	HOOK,LIFTING	1		C
7	+	900500-00005	NUT	1	5	
8	+	V805-000320	BOLT, TORX 5	1	TB-5*16 10.9	C
9		P100-010560	HANDLE ASY	1		C
10	+	C403-000031	GRIP,HANDLE	1		C
11		P100-010570	FIXTURE HANDLE SET	1		D
12	+	C423-001090	FIXTURE, HANDLE	1	19	D
13	+	C423-001100	FIXTURE, HANDLE	1	19	D
14	+	V203-002500	BOLT,5	2	TB-5*30	C
15	+	900605-00005	WASHER, SPRING	2	5	
16	+	900620-00005	WASHER	2	5	
17	+	V299-000680	KNOB,FASTENER	1	M8	C
18	+	V205-001400	BOLT,8	1	M8*1.25*L50	C
19	+	900720-20007	O-RING	1	P-7	
20	+	C423-001110	FIXTURE, HANDLE	1		D
21	+	C423-001120	FIXTURE, HANDLE	1		D
22	+	900565-50008	NUT, SQUARE	1	8	
23	+	V805-000170	BOLT, TORX 5	3	TB-5*25 10.9	C
24	+	900600-00005	WASHER	1	5	
25		224924-52130	CLIP	2	25MM	C

Class : Consumable class

A:Fast moving parts B:Semi-fast moving parts C:Slow moving parts D:Order only as needed

THROTTLE



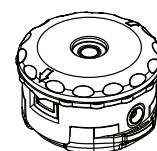
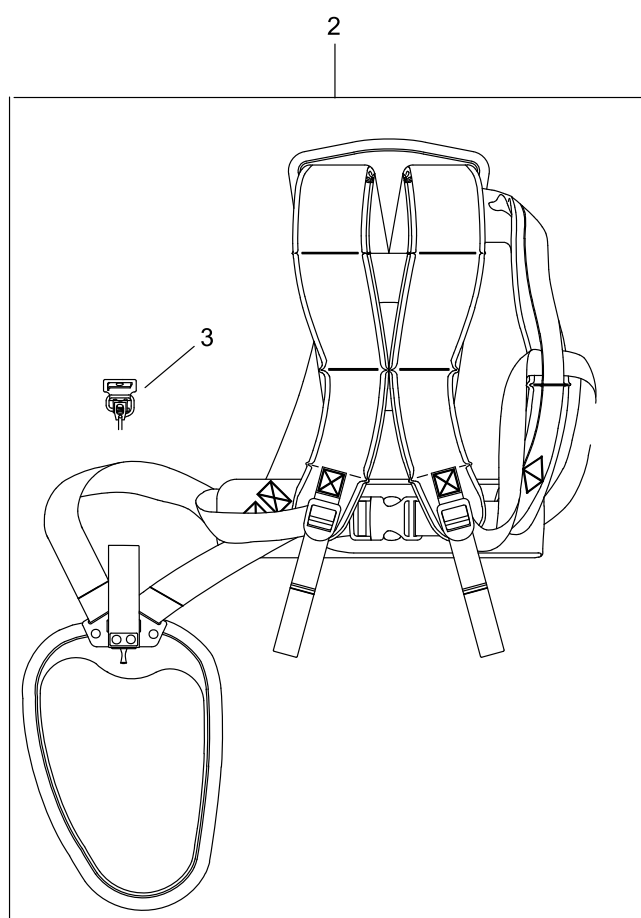
THROTTLE

Key No.	LV (+)	Parts Number	Parts Description	Qty	Standard	Class
1		P100-007460	THROTTLE ASY	1		
2	+	C463-000020	KNOB, LATCH	1		C
3	+	V452-000360	SPRING,TORSION	1		B
4	+	C450-000270	CONTROL, THROTTLE	1		C
5	+	C460-000111	LOCKOUT, THROTTLE	1	70MM	C
6	+	V452-000350	SPRING,TORSION	1		B
7	+	P021-051010	ON OFF SWITCH	1		
8	+	V804-000010	BOLT, TORX 4	3	TT-4*16 DG 10.9	C
9	+	V805-000050	BOLT, TORX 5	1	TB-5*30 10.9	C
10	+	900500-00005	NUT	1	5	
11		V430-004950	CABLE,BOWDEN	1		B
12		900502-00006	NUT	1	6	
13		900518-00006	NUT, FLANGE	1	6	
14		159112-09961	CLIP	1		C

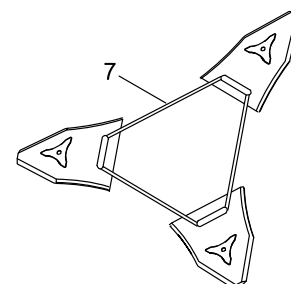
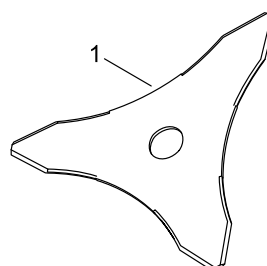
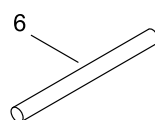
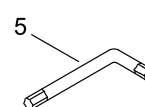
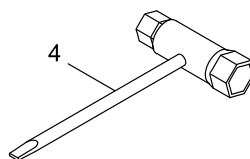
Class : Consumable class

A:Fast moving parts B:Semi-fast moving parts C:Slow moving parts D:Order only as needed

ACCESSORIES



SF400/E1



ACCESSORIES

Key No.	LV (+)	Parts Number	Parts Description	Qty	Standard	Class
1		P021-014310	SAW,BUSH CUTTER	1	230*T3.0	
2		C062-000511	HARNESS, SHOULDER	1		B
3	+	P021-042910	HOOK ASSY	1		
4		895415-66630	WRENCH, SPCKET	1		D
5		X605-000170	TOOL,L WRENCH	1		D
6		X606-000080	TOOL,BAR	1	5*120	D
7		X495-000270	SCABBARD,BLADE	1		D

Class : Consumable class

A:Fast moving parts B:Semi-fast moving parts C:Slow moving parts D:Order only as needed

NUMERICAL PARTS INDEX

Part No	Part description	Page	Part No	Part description	Page	Part No	Part description	Page
100013-35430	PIN, PISTON	2	900518-00006	NUT, FLANGE	24	A244-000370	PLATE,PREVENT	10
100014-53630	SPACER, PISTON PIN	2	900562-00005	NUT, LOCK	20	A313-002060	GUIDE, EXHAUST	16
100015-03931	CIRCLIP, PISTON PIN	2	900565-00005	NUT, SQUARE	20	A320-001200	COVER,MUFFLER	16
100142-12330	KEY, WOODRUFF	6	900565-50008	NUT, SQUARE	22	A350-002350	TANK, FUEL	14
100212-42031	OILSEAL	4	900600-00005	WASHER	22	A356-000031	VALVE,CHECK	14
123114-40630	SCREW	12	900602-00005	WASHER	14	A365-000060	CONNECTOR,CAP	14
123126-10631	SCREEN, INLET	12	900603-50008	WASHER	20	A369-000470	STRAINER, FUEL	14
123137-19830	VALVE, INLET NEEDLE	12	900605-00005	WASHER, SPRING	22	A409-001320	ROTOR, MAGNETO	6
123138-03930	PIN, METERING LEVER	12	900620-00005	WASHER	22	A411-001791	COIL, IGNITION	6
123140-27230	GASKET,M. DIAPHRAGM	12	900701-00012	RETAINING RING	8	A413-000080	BOOT	8
123142-03930	COVER, M. DIAPHRAGM	12	900702-00022	RETAINING RING	20	A413-000190	BOOT	14
123173-07930	CLIP	12	900702-00028	RETAINING RING	8	A425-000060	SPARKPLUG	6
123181-09560	PUMP, PRIMER	12	900702-00032	RETAINING RING	20	A426-000010	TERMINAL,SPARKPLUG	6
132010-06531	PIPE 3* 6* 85	14	900702-00042	RETAINING RING	8	A427-000221	CAP,SPARK PLUG	6
132012-56030	PIPE	14	900706-00010	RETAINING RING	20	A556-001750	DRUM, CLUTCH	8
132115-55931	GROMMET, FUEL	14	900720-00012	O-RING	20	A575-000690	FIXTURE, MAIN PIPE	8
145862-40630	SCREEN, MUFFLER	16	900720-20007	O-RING	22	C062-000511	HARNESS, SHOULDER	26
156110-04920	BUSHING	6	900800-36001	BEARING, BALL	4	C152-001030	CONNECTOR	6
159112-09961	CLIP	24	900807-06001	BEARING, BALL	8	C403-000031	GRIP,HANDLE	22
175046-56030	SHAFT, CLUTCH	8	900810-36000	BEARING, BALL	4	C423-001090	FIXTURE, HANDLE	22
175048-05530	WASHER (I)	8	900812-06201	BEARING, BALL	20	C423-001100	FIXTURE, HANDLE	22
175049-56030	WASHER	8	91316-04010	SCREW	20	C423-001110	FIXTURE, HANDLE	22
177220-40630	SPRING, REWIND	18	94060-00626	BEARING, BALL	20	C423-001120	FIXTURE, HANDLE	22
177228-27030	GRIP, STARTER	18	94060-06900	BEARING, BALL	20	C450-000270	CONTROL, THROTTLE	24
177236-61830	SCREW	18	94063-06900	BEARING, BALL	20	C460-000111	LOCKOUT, THROTTLE	24
224924-52130	CLIP	22	A011-001460	CRANKSHAFT,ASY	2	C463-000020	KNOB, LATCH	24
610300-25531	GEAR SET	20	A021-004601	CARBURETOR, DIAPHRAGM	10	C504-000050	SHAFT,DRIVE	22
610310-56832	SHAFT, P.T.O.	20	A021-004601	CARBURETOR, DIAPHRAGM	12	C550-000551	SHIELD,BLADE	20
610313-52132	FIXTURE,BLADE	20	A051-003220	STARTER,RECOIL ASY	18	C552-000200	PLATE, SHIELD	20
610314-52130	PLATE, ADAPTER (L)	20	A052-000180	PULLEY,ASM STARTER	18	C554-000030	KNIFE, CORD	20
610320-52130	NUT 10	20	A101-000010	RING,PISTON	2	C670-000240	HOOK,LIFTING	22
610352-56830	PLATE, CUP	20	A127-000470	COVER,DUST	18	P003-001630	LEVER, METERING	12
610434-50031	BOLT 8* 8	20	A130-002330	CYLINDER	2	P003-001670	DIAPHRAGM, METERING	12
610444-56830	WASHER	20	A160-003280	COVER,CYLINDER	2	P003-001710	WASHER	12
699229-56830	PLATE, COVER	20	A172-003142	COVER,FAN	8	P003-004480	O-RING	12
890152-04930	LABEL, CAUTION	22	A175-000040	STAND	14	P003-004530	GASKET, FUEL PUMP	12
890332-52730	LABEL, CHOKE	10	A202-000300	BELLOWS, INTAKE	10	P003-004540	DIAPHRAGM, FUEL PUMP	12
890617-43130	LABEL,CAUTION	22	A206-000040	HOLDER, BELLOWS	10	P003-004560	SCREW	12
895415-66630	WRENCH, SPCKET	26	A209-001000	PLATE, INSULATOR	10	P003-004570	SCREW	12
900220-04006	SCREW	20	A209-001010	PLATE, INSULATOR	10	P003-005850	SWIVEL	12
900330-40080	ROLLER	8	A226-002030	ELEMENT, AIR FILTER	10	P003-005860	SCREW	12
900500-00005	NUT	22	A226-002040	ELEMENT, AIR FILTER	10	P003-005870	SPRING	12
900500-00005	NUT	24	A227-000050	PLATE, ELEMENT	10	P003-005880	NEEDLE	12
900502-00006	NUT	24	A232-001890	LID,CLEANER	10	P003-005890	CLIP	12
900515-00008	NUT, FLANGE	6						

NUMERICAL PARTS INDEX

Part No	Part description	Page	Part No	Part description	Page	Part No	Part description	Page
P003-005900	PLATE	12	V299-000640	KNOB,FASTENER	10	X605-000170	TOOL,L WRENCH	26
P003-006120	BODY ASSEMBLY, PUMP	12	V299-000680	KNOB,FASTENER	22	X606-000080	TOOL,BAR	26
P003-006140	VALVE, THROTTLE	12	V323-000070	WASHER,CIRCULAR 5	6			
P003-006500	COVER, FUEL PUMP	12	V340-000210	WASHER	10			
P021-012211	CAP,FUEL ASY	14	V430-004950	CABLE,BOWDEN	24			
P021-014310	SAW,BUSH CUTTER	26	V451-001390	SPRING,TENSION	8			
P021-041320	SHIELD ASY, BLADE	20	V452-000350	SPRING,TORSION	24			
P021-042910	HOOK ASSY	26	V452-000360	SPRING,TORSION	24			
P021-049000	MAIN PIPE ASY	22	V452-001310	SPRING,TORSION	20			
P021-050840	PISTON KIT	2	V471-001231	PIPE	14			
P021-050850	CRANKCASE KIT	4	V475-007540	TUBE	6			
P021-050880	CLEANER CASE ASY	10	V485-002880	LEAD	6			
P021-050951	GEAR CASE ASY	20	V490-001230	CLIP	14			
P021-051002	FAN COVER ASY	8	V490-001240	CLIP	14			
P021-051010	ON OFF SWITCH	24	V503-000040	SEAL,OIL 10	4			
P022-002100	E-RING	18	V554-000020	BEARING,NEEDLE 9	2			
P022-006510	SPRING, RETURN	18	V804-000010	BOLT, TORX 4	24			
P022-006850	PAWL, STARTER	18	V804-000030	BOLT, TORX 4	16			
P022-008270	SPRING,DAMPER	18	V805-000050	BOLT, TORX 5	24			
P022-022010	NUT	18	V805-000140	BOLT, TORX 5	18			
P022-022110	ROPE, STARTER	18	V805-000140	BOLT, TORX 5	20			
P022-033310	PLATE, CAM	18	V805-000150	BOLT, TORX 5	8			
P022-033320	DRUM, STARTER	18	V805-000150	BOLT, TORX 5	10			
P022-037670	STOPPER, ROPE	18	V805-000150	BOLT, TORX 5	20			
P022-043670	STATER CASE	18	V805-000160	BOLT, TORX 5	8			
P022-045770	GUIDE, ROPE	18	V805-000160	BOLT, TORX 5	14			
P100-002270	ARM,CLUTCH SET	8	V805-000170	BOLT, TORX 5	8			
P100-004021	MUFFLER ASY	16	V805-000170	BOLT, TORX 5	14			
P100-007460	THROTTLE ASY	24	V805-000170	BOLT, TORX 5	20			
P100-009780	FIXTURE, BLADE SET	20	V805-000170	BOLT, TORX 5	22			
P100-010520	SHIELD ASY	20	V805-000210	BOLT, TORX 5	2			
P100-010550	HOOK ASY	22	V805-000210	BOLT, TORX 5	6			
P100-010560	HANDLE ASY	22	V805-000220	BOLT, TORX 5	4			
P100-010570	FIXTURE HANDLE SET	22	V805-000250	BOLT, TORX 5	16			
V100-000840	GASKET,CYL	2	V805-000260	BOLT, TORX 5	20			
V102-000300	GASKET,CRANKCASE	4	V805-000320	BOLT, TORX 5	22			
V103-001890	GASKET,INTAKE	10	V805-000340	BOLT, TORX 5	10			
V103-001900	GASKET,INTAKE	10	V806-000020	BOLT, TORX 6	20			
V104-002300	GASKET,EXHAUST	16	V835-000010	BOLT, TORX 5	2			
V104-002310	GASKET,EXHAUST	16	V835-000010	BOLT, TORX 5	16			
V107-000190	GASKET,FUEL CAP	14	V855-000000	BOLT, TORX 5	10			
V186-000500	JOINT,PIPE	14	X495-000270	SCABBARD,BLADE	26			
V203-002500	BOLT,5	22	X503-015820	LABEL,MODEL	2			
V205-001400	BOLT,8	22	X524-001901	LABEL	10			
V253-001020	SCREW,5	10	X547-003700	LABEL,ECHO	18			