

SRM-222ES/U

Serial Number

38007978-38999999

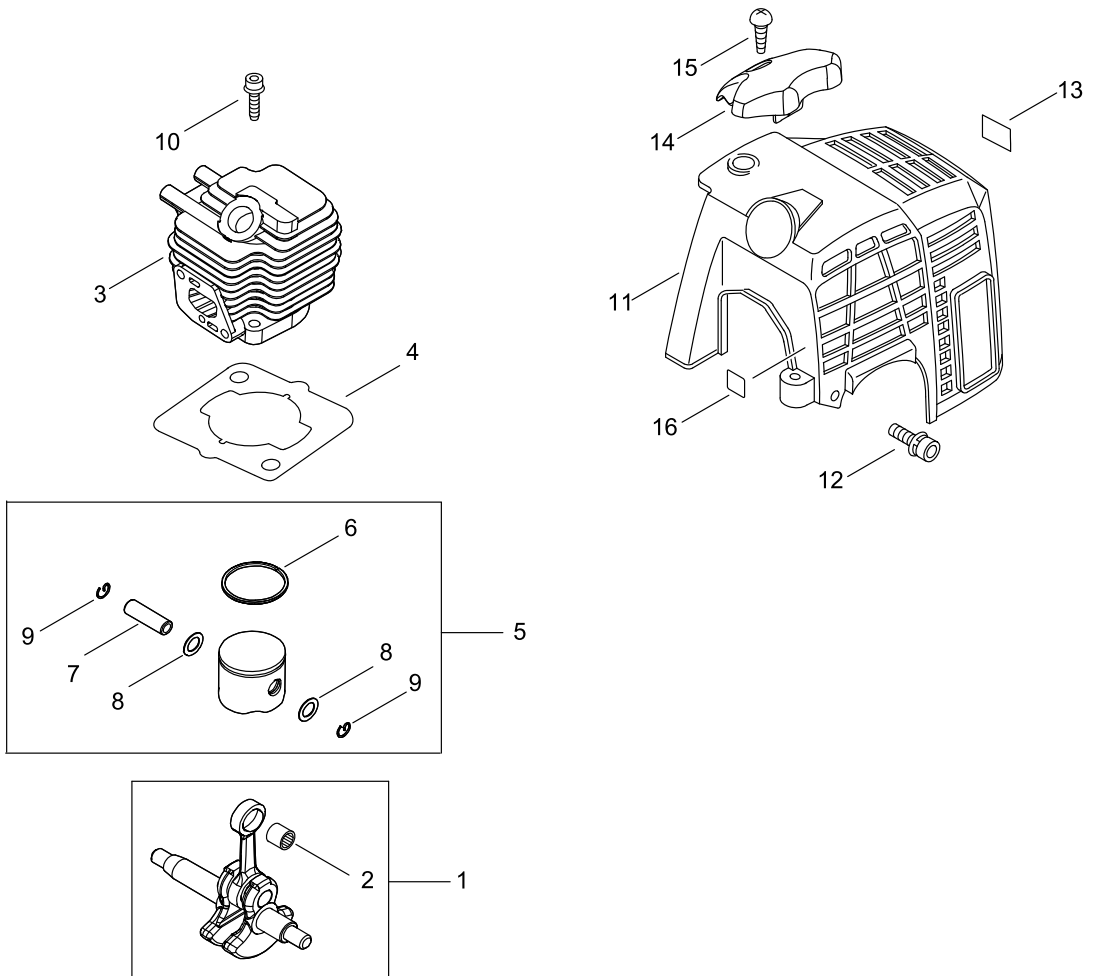
Last updated date

16/Mar/2023

TABLE OF CONTENTS

CYLINDER, PISTON, CRANKSHAFT	1
CRANKCASE	3
MAGNETO.....	5
CLUTCH.....	7
AIR CLEANER, CARBURETOR.....	9
CARBURETOR.....	11
FUEL TANK	15
MUFFLER.....	17
RECOIL STARTER, PULLY	19
GEAR CASE, SHIELD	21
MAIN PIPE, HANDLE.....	23
THROTTLE.....	25
ACCESSORIES	27

CYLINDER, PISTON, CRANKSHAFT



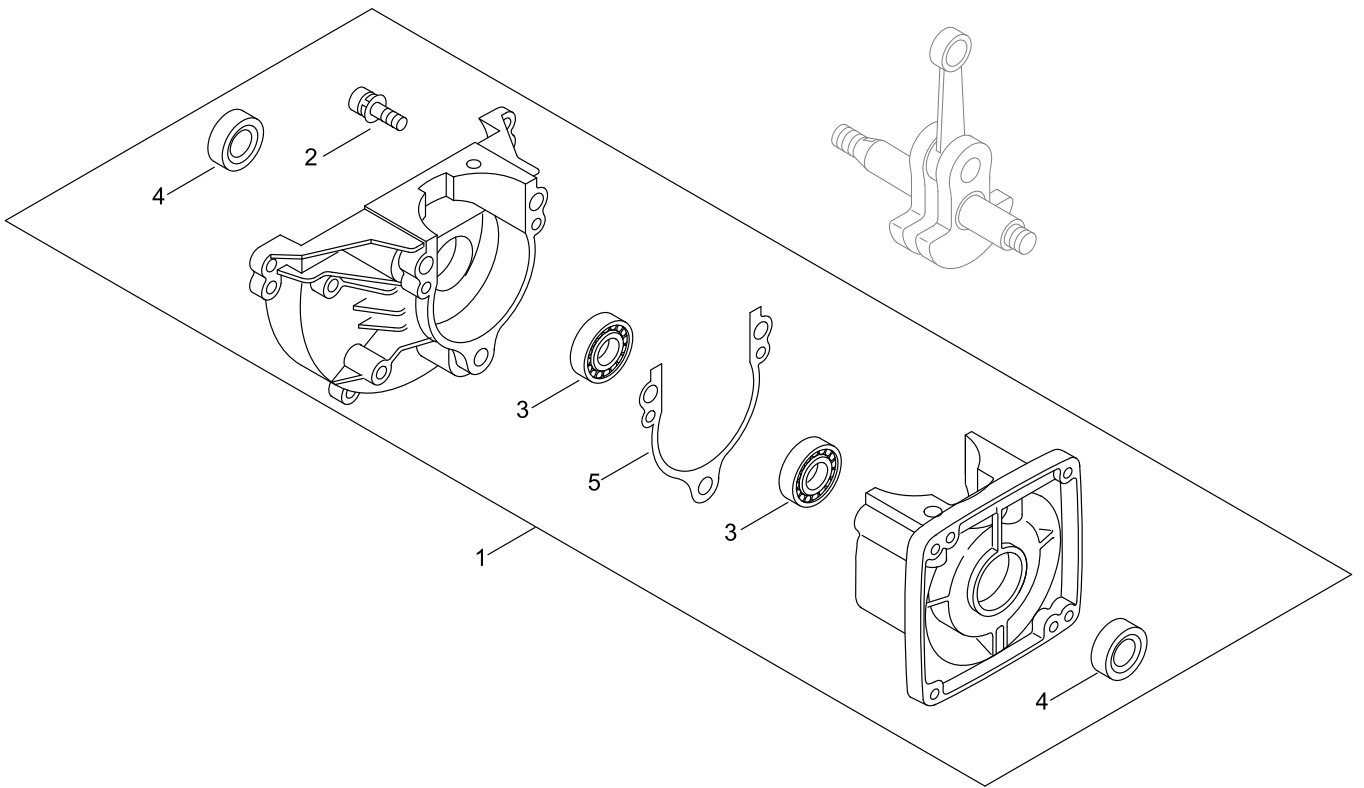
CYLINDER, PISTON, CRANKSHAFT

Key No.	LV (+)	Parts Number	Parts Description	Qty	Standard	Class
1		A011-001410	CRANKSHAFT,ASY	1		D
2	+	V553-000060	BEARING,NEEDLE 8	1	HK0810FMV4	B
3		A130-002100	CYLINDER	1		D
4		101010-44332	GASKET, CYL. BASE	1		B
5		P021-007712	PISTON KIT	1		C
6	+	A101-000090	RING,PISTON	1		B
7	+	100013-11520	PIN, PISTON	1		D
8	+	100014-11520	SPACER, PISTON PIN	2		C
9	+	100015-04630	CIRCLIP, PISTON PIN	2		C
10		900162-05022	BOLT HSH	2	5*22	
11		A160-000890	COVER,CYLINDER	1		C
12		V202-000090	BOLT,4	2	4*16	C
13		X505-002310	LABEL,CAUTION	1	HOT CAUTION	D
14		A162-000130	GUARD,TOP	1		C
15		900253-05020	SCREW, TAPPING	1	5*20	
16		X524-001901	LABEL	1		D

Class : Consumable class

A:Fast moving parts B:Semi-fast moving parts C:Slow moving parts D:Order only as needed

CRANKCASE



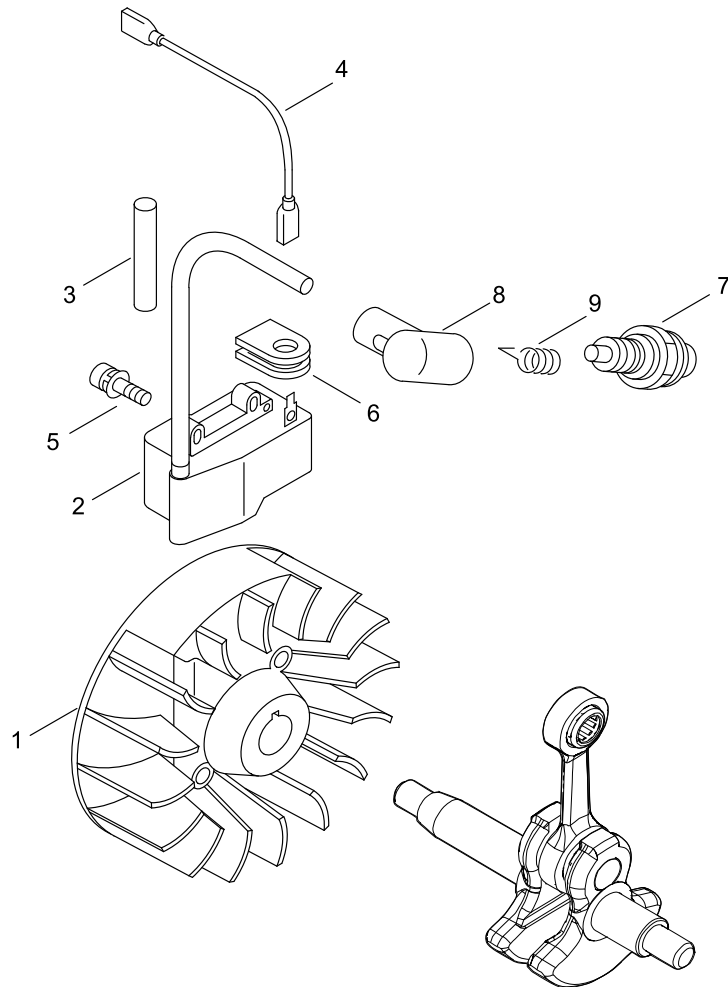
CRANKCASE

Key No.	LV (+)	Parts Number	Parts Description	Qty	Standard	Class
1		P021-041670	CRANKCASE KIT	1		D
2	+	900162-05028	BOLT HSH	3	5*28	
3	+	94095-36201	BEARING, BALL	2	6201	
4	+	100212-42031	OILSEAL	2	ISCD 12*22*4.5	C
5	+	100242-42030	GASKET, CRANKCASE	1		B

Class : Consumable class

A:Fast moving parts B:Semi-fast moving parts C:Slow moving parts D:Order only as needed

MAGNETO



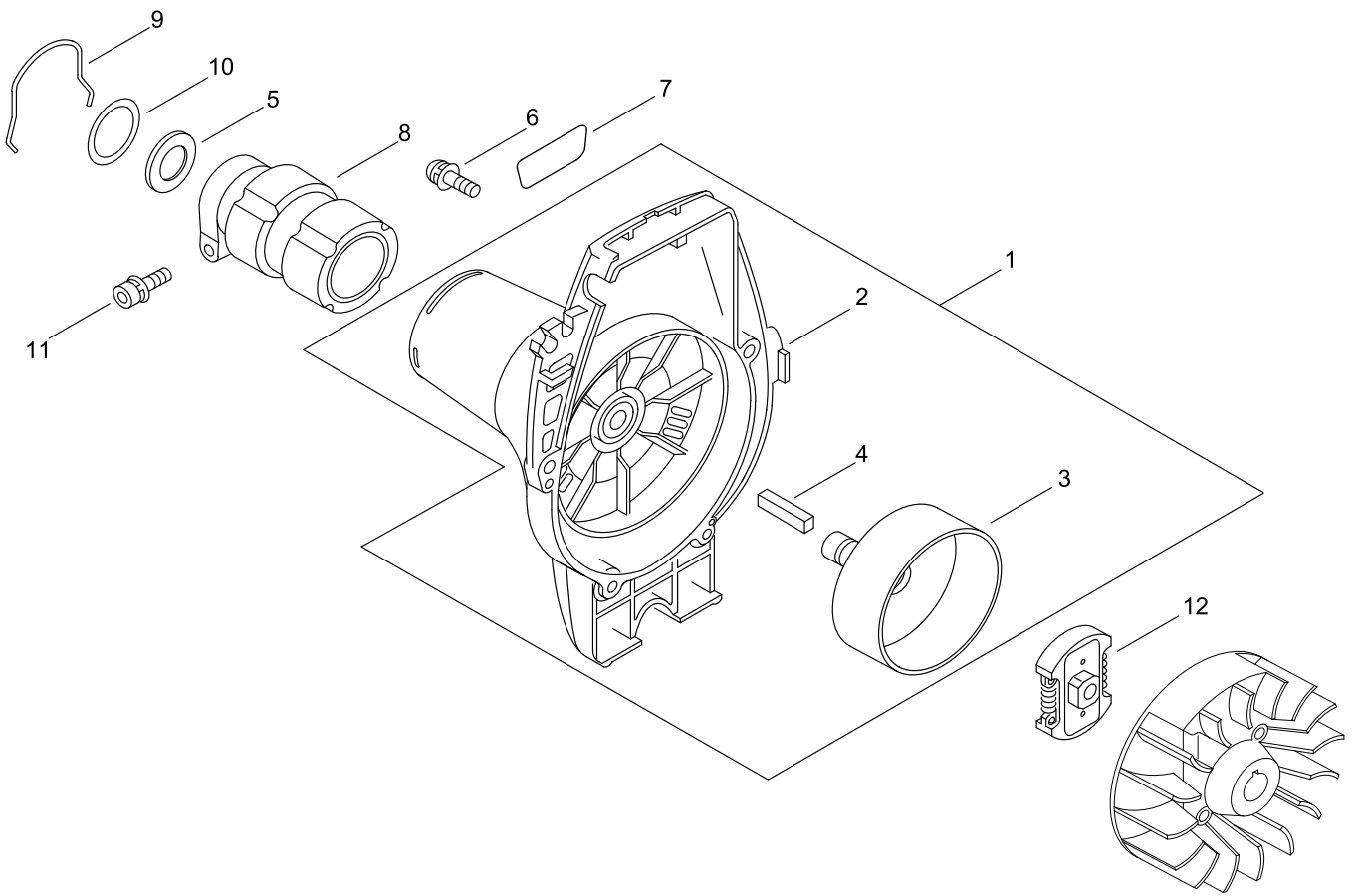
MAGNETO

Key No.	LV (+)	Parts Number	Parts Description	Qty	Standard	Class
1		A409-000160	ROTOR,MAGNETO	1		C
2		A411-000141	COIL,IGNITION	1	EMG-60G/61G L110	C
3		V475-007300	TUBE	1		C
4		162010-52830	LEAD, GROUND	1		C
5		900162-04020	BOLT HSH	2	4*20	
6		156112-40630	GROMMET	1		C
7		A425-000000	SPARKPLUG	1	BPMR8Y	A
8		159012-03433	CAP, SPARK PLUG	1		C
9		159011-03432	COIL, SPARK PLUG	1		C

Class : Consumable class

A:Fast moving parts B:Semi-fast moving parts C:Slow moving parts D:Order only as needed

CLUTCH



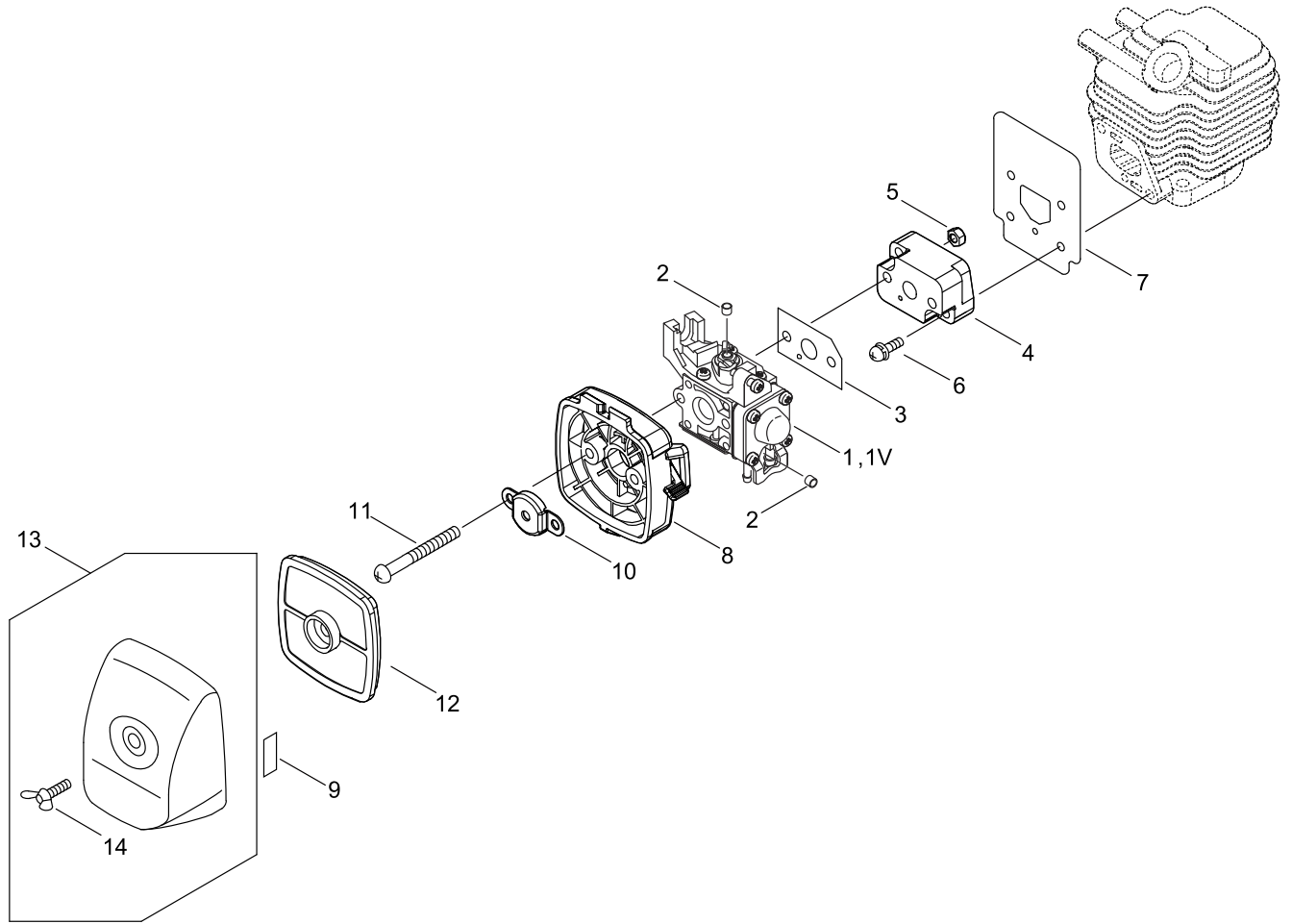
CLUTCH

Key No.	LV (+)	Parts Number	Parts Description	Qty	Standard	Class
1		P100-007580	FAN COVER ASY	1		C
2	+	A172-002790	COVER,FAN	1		C
3	+	175005-44331	DRUM, CLUTCH	1		B
4	+	V376-000990	SPACER	1		C
5		175313-20430	RING, FELT	1		C
6		91363-04016	SCREW	3	4*16	C
7		X547-002310	LABEL,ECHO	1	ECHO+SRM-222ES	D
8		A575-000110	FIXTURE,MAIN PIPE	1		C
9		660316-55630	CLIP	1		C
10		V315-000030	WASHER,CIRCULAR 30	1	33.5*41.0*T0.5	C
11		91118-05028	BOLT HSH	1	5*28	C
12		175000-56831	CLUTCH ASSEMBLY	1		B
12		A056-000820	CLUTCH ASY	1	22 C0.5 D50 RESI	B

Class : Consumable class

A:Fast moving parts B:Semi-fast moving parts C:Slow moving parts D:Order only as needed

AIR CLEANER, CARBURETOR



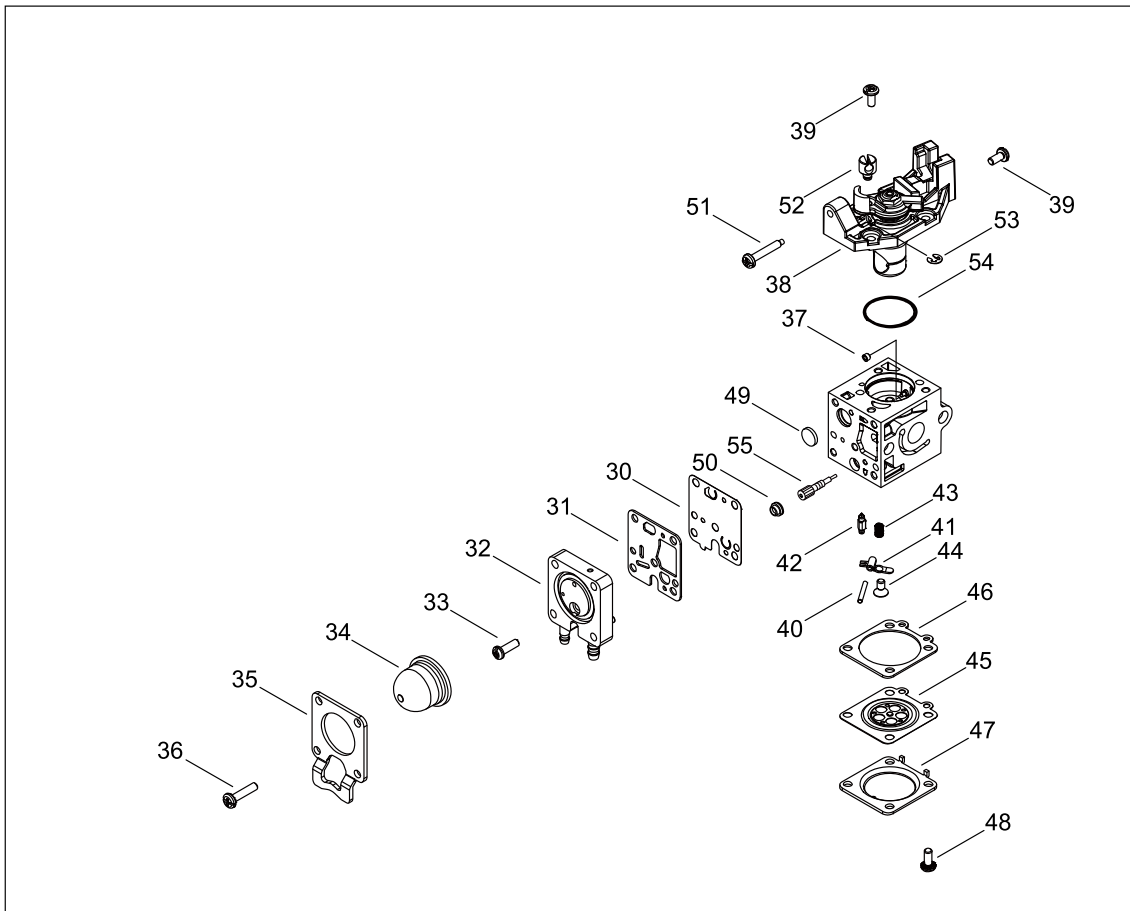
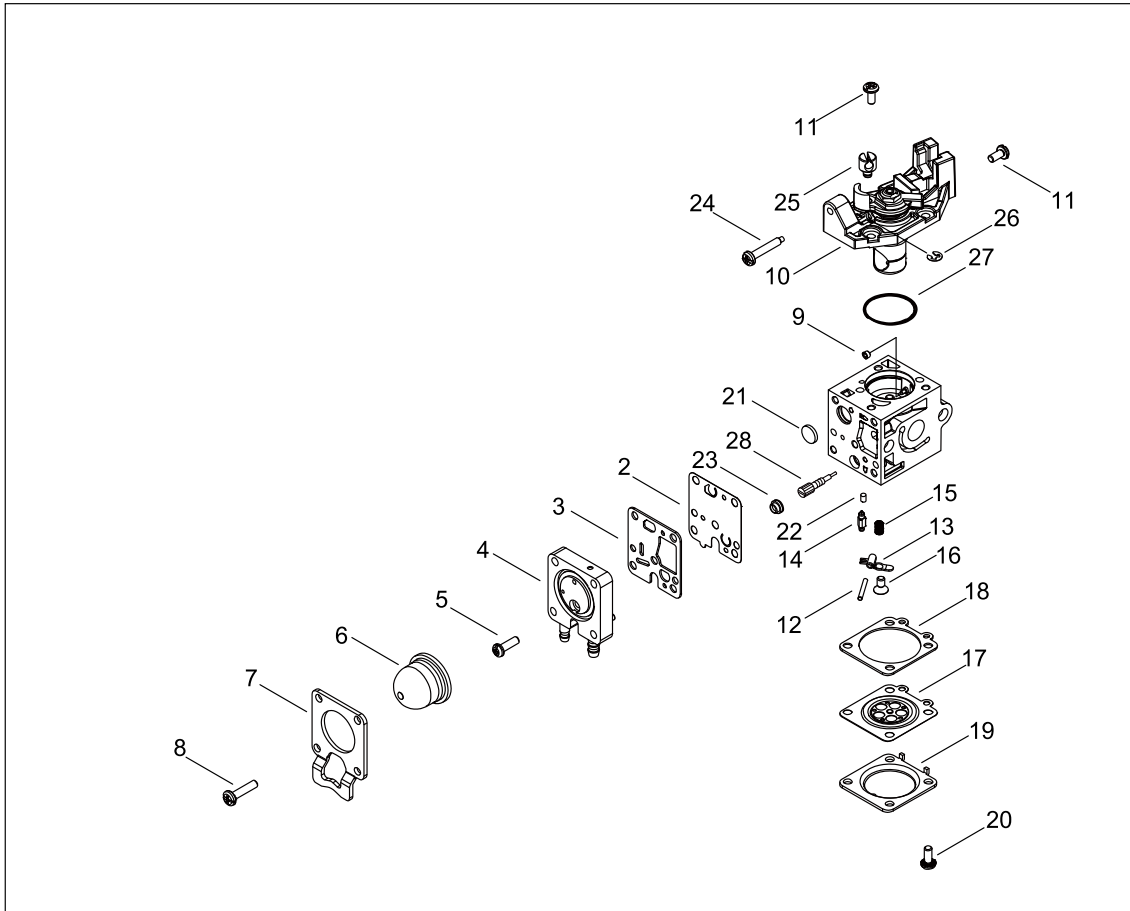
AIR CLEANER, CARBURETOR

Key No.	LV (+)	Parts Number	Parts Description	Qty	Standard	Class
1		A091-000000	CARBURETOR,ASSEMBLY	1	R09-001	B
1V		A091-000020	CARBURETOR,ASSEMBLY	1	R09-002	B
2		A259-000060	CAP,LIMITER	2	HLI	B
3		V103-001390	GASKET,INTAKE	1		A
4		130017-44331	INSULATOR	1		C
5		900500-00005	NUT	2	5	
6		900238-05022	SCREW	2	5*22	
7		V103-001640	GASKET,INTAKE	1		A
8		P021-049010	CASE,CLEANER	1		C
9		890332-52730	LABEL, CHOKE	1		D
10		129011-52730	PLATE, PREVENT	1		C
11		900220-05065	SCREW	2	5*65	
12		A226-001410	ELEMENT,AIR FILTER	1		A
13		P100-000110	CLEANER LID ASY	1		C
14	+	210417-52730	BOLT, WING	1	5*20	C

Class : Consumable class

A:Fast moving parts B:Semi-fast moving parts C:Slow moving parts D:Order only as needed

CARBURETOR



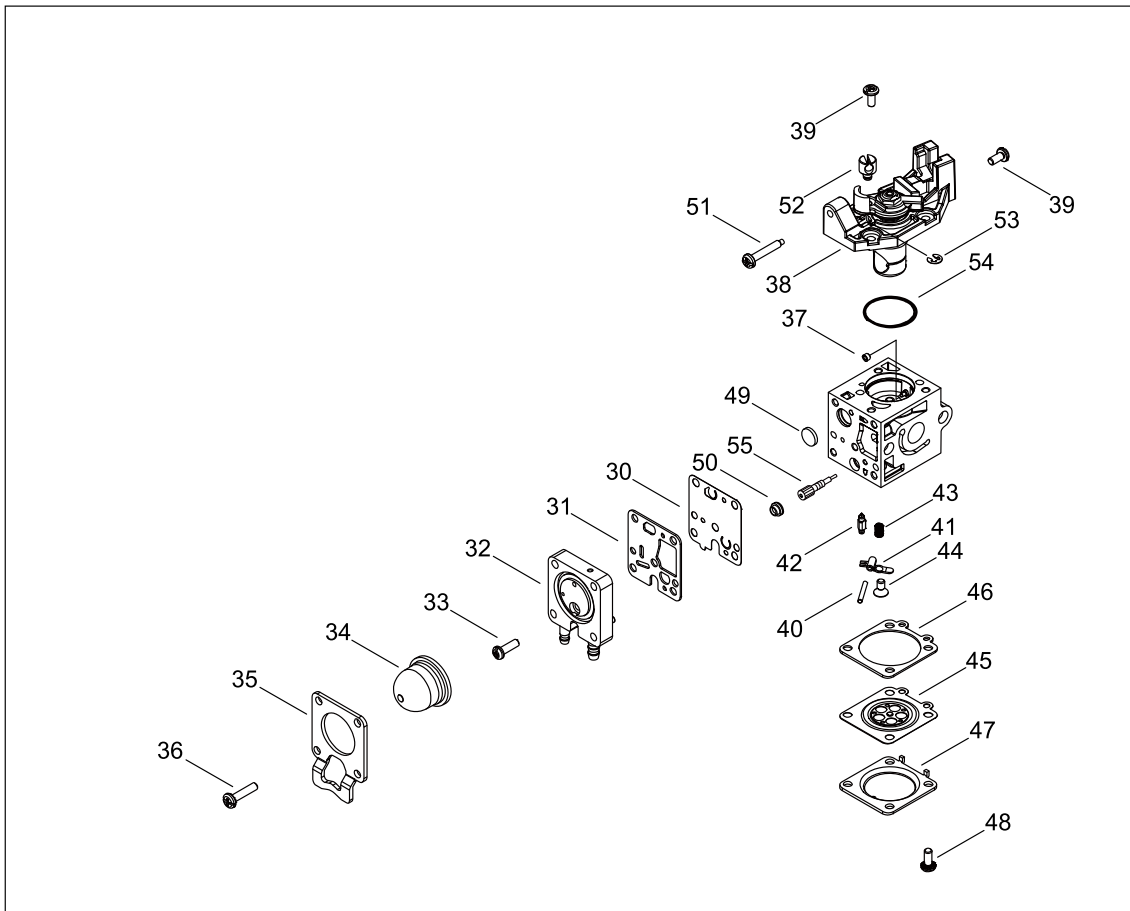
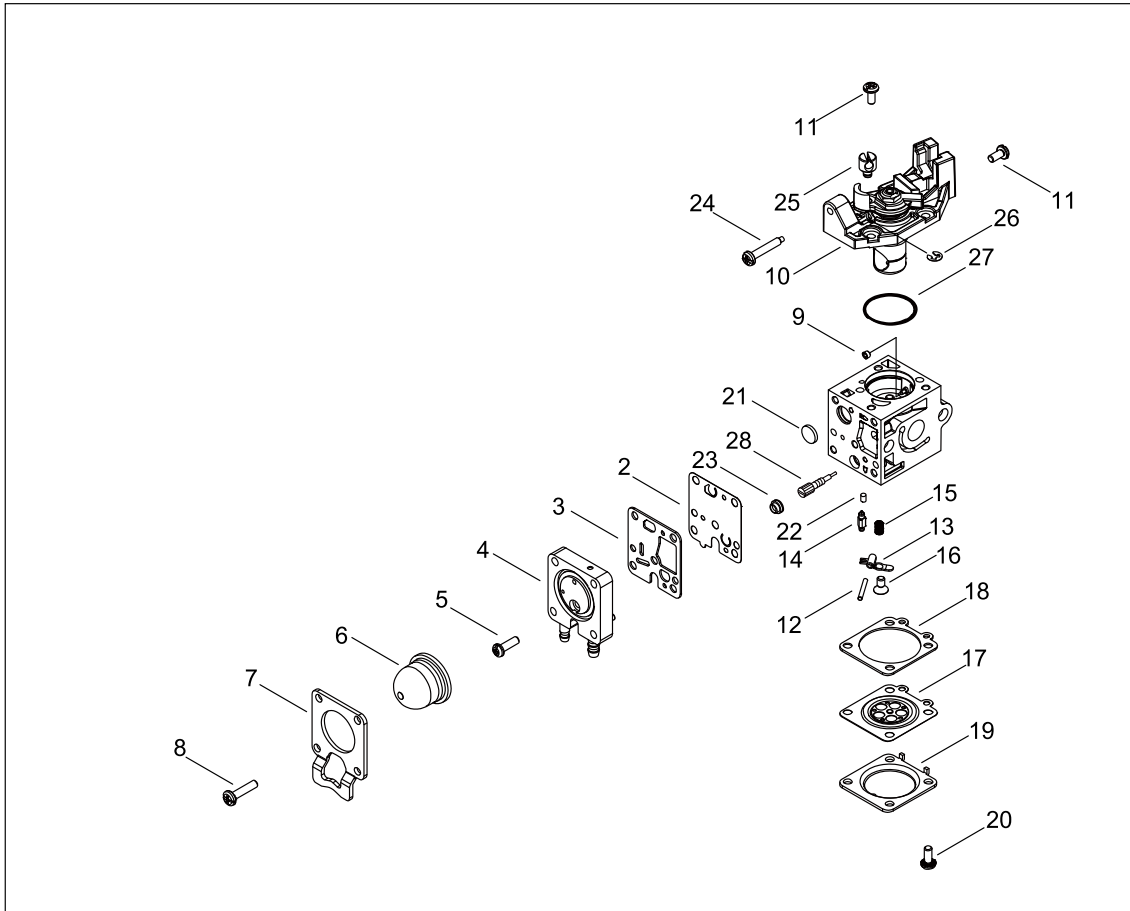
CARBURETOR

Key No.	LV (+)	Parts Number	Parts Description	Qty	Standard	Class
1		A091-000000	CARBURETOR,ASSEMBLY	1	R09-001	B
2	+	A909-000000	DAIAPHRAGM,PUMP	1		A
3	+	A910-000000	GASKET,PUMP	1	T=0.8	A
4	+	A944-000040	BASE,ASSEMBLY	1		D
5	+	A913-000000	SCREW	1	M3X10	D
6	+	A914-000000	PUMP, PRIMER	1		A
7	+	A915-000000	PLATE,SYRINGE	1	T=1.6	D
8	+	A913-000010	SCREW	4	M3X14	D
9	+	A916-000000	BEARING,ROTOR	1		D
10	+	A945-000010	COVER,ASSEMBLY	1		D
11	+	A913-000020	SCREW	4	M3X6.5	D
12	+	A949-000000	PIN	1		D
13	+	A929-000000	LEVER,METERING	1		D
14	+	A930-000000	VALVE,INLETNEEDLE	1		D
15	+	A931-000000	SPRING,METERING	1		D
16	+	A913-000030	SCREW	1	M3X4.0	D
17	+	A947-000000	METER.DIAPHRAGM,ASSE	1		A
18	+	A935-000000	GASKET,METERING	1	T=0.8	A
19	+	A936-000000	COVER,METERING	1		D
20	+	A913-000040	SCREW	4	M3X6.0	D
21	+	A938-000000	STRAINER	1	MESH#325	D
22	+	A921-000000	FRICTION	1		D
23	+	A940-000000	BUSH,PLUG	1		D
24	+	A941-000000	ADJUST SCREW,THROTTLE	1	M3X18.5	B
25	+	A927-000000	SWIVEL	1		D
26	+	A928-000000	E-RING	1	2.5	D
27	+	A937-000000	O-RING	1	19.0	D
28	+	A939-000000	ADJUST SCREW,MAIN	1		B
29		A091-000020	CARBURETOR,ASSEMBLY	1	R09-002	B
30	+	A909-000000	DAIAPHRAGM,PUMP	1		A
31	+	A910-000000	GASKET,PUMP	1	T=0.8	A
32	+	A944-000040	BASE,ASSEMBLY	1		D
33	+	A913-000000	SCREW	1	M3X10	D
34	+	A914-000000	PUMP, PRIMER	1		A
35	+	A915-000000	PLATE,SYRINGE	1	T=1.6	D
36	+	A913-000010	SCREW	4	M3X14	D
37	+	A916-000000	BEARING,ROTOR	1		D
38	+	A945-000010	COVER,ASSEMBLY	1		D
39	+	A913-000020	SCREW	4	M3X6.5	D
40	+	A949-000000	PIN	1		D
41	+	A929-000000	LEVER,METERING	1		D
42	+	A930-000000	VALVE,INLETNEEDLE	1		D
43	+	A931-000000	SPRING,METERING	1		D
44	+	A913-000030	SCREW	1	M3X4.0	D

Class : Consumable class

A:Fast moving parts B:Semi-fast moving parts C:Slow moving parts D:Order only as needed

CARBURETOR



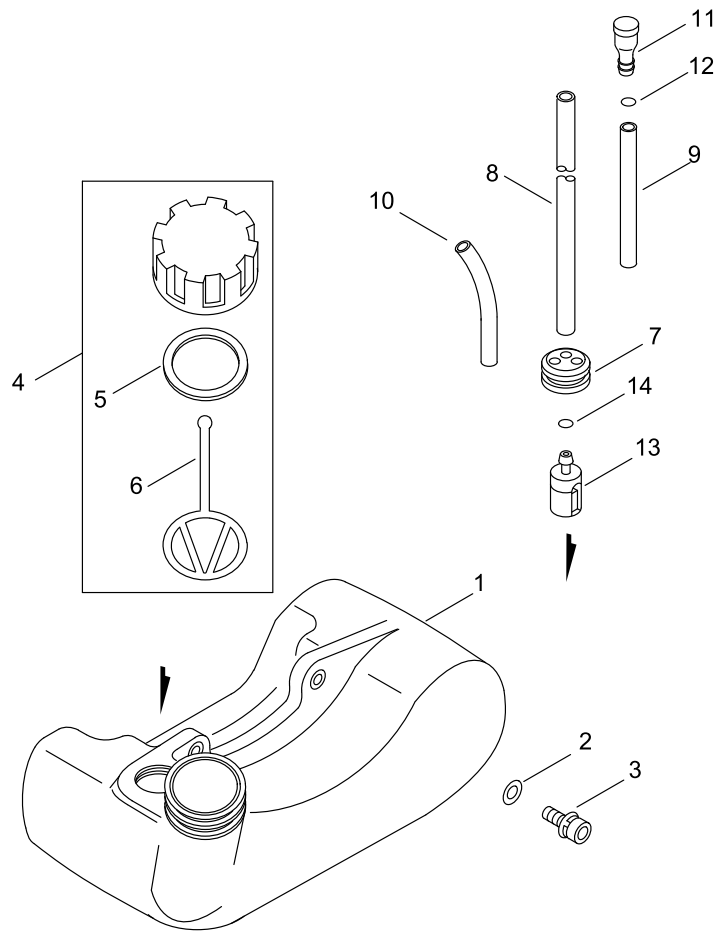
CARBURETOR

Key No.	LV (+)	Parts Number	Parts Description	Qty	Standard	Class
45	+	A947-000000	METER.DIAPHRAGM,ASSE	1		A
46	+	A935-000000	GASKET,METERING	1	T=0.8	A
47	+	A936-000000	COVER,METERING	1		D
48	+	A913-000040	SCREW	4	M3X6.0	D
49	+	A938-000000	STRAINER	1	MESH#325	D
50	+	A940-000000	BUSH,PLUG	1		D
51	+	A941-000000	ADJUST SCREW,THROTTLE	1	M3X18.5	B
52	+	A927-000000	SWIVEL	1		D
53	+	A928-000000	E-RING	1	2.5	D
54	+	A937-000000	O-RING	1	19.0	D
55	+	A939-000030	ADJUST SCREW,MAIN	1	0.46*1	B

Class : Consumable class

A:Fast moving parts B:Semi-fast moving parts C:Slow moving parts D:Order only as needed

FUEL TANK



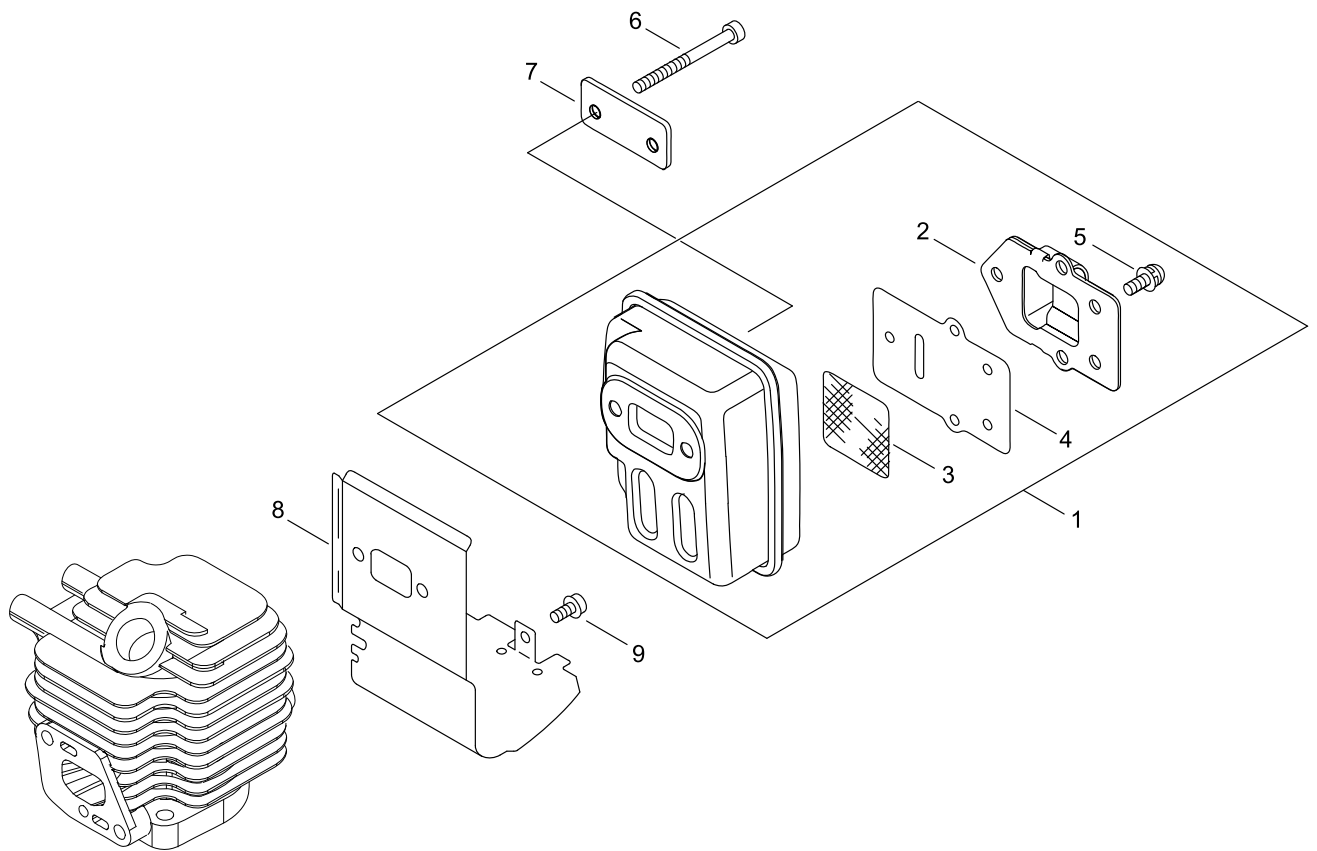
FUEL TANK

Key No.	LV (+)	Parts Number	Parts Description	Qty	Standard	Class
1		A350-000480	TANK, FUEL	1		C
2		900603-00005	WASHER	2	5	
3		91118-05020	BOLT HSH	2	5*20	C
4		P021-012211	CAP,FUEL ASY	1		C
5	+	V107-000190	GASKET,FUEL CAP	1	37.9* T 2.2	A
6	+	A365-000060	CONNECTOR,CAP	1	L=123	B
7		132115-46730	GROMMET, FUEL	1		C
8		V471-001191	PIPE	1	3*5*180	C
9		V471-001201	PIPE	1	3*5*70	C
10		132012-56030	PIPE	1	3*6*80 YL	C
11		A356-000031	VALVE,CHECK	1		B
12		V490-001240	CLIP	1		C
13		A369-000480	STRAINER, FUEL	1	125-959	A
14		V490-001240	CLIP	1		C

Class : Consumable class

A:Fast moving parts B:Semi-fast moving parts C:Slow moving parts D:Order only as needed

MUFFLER



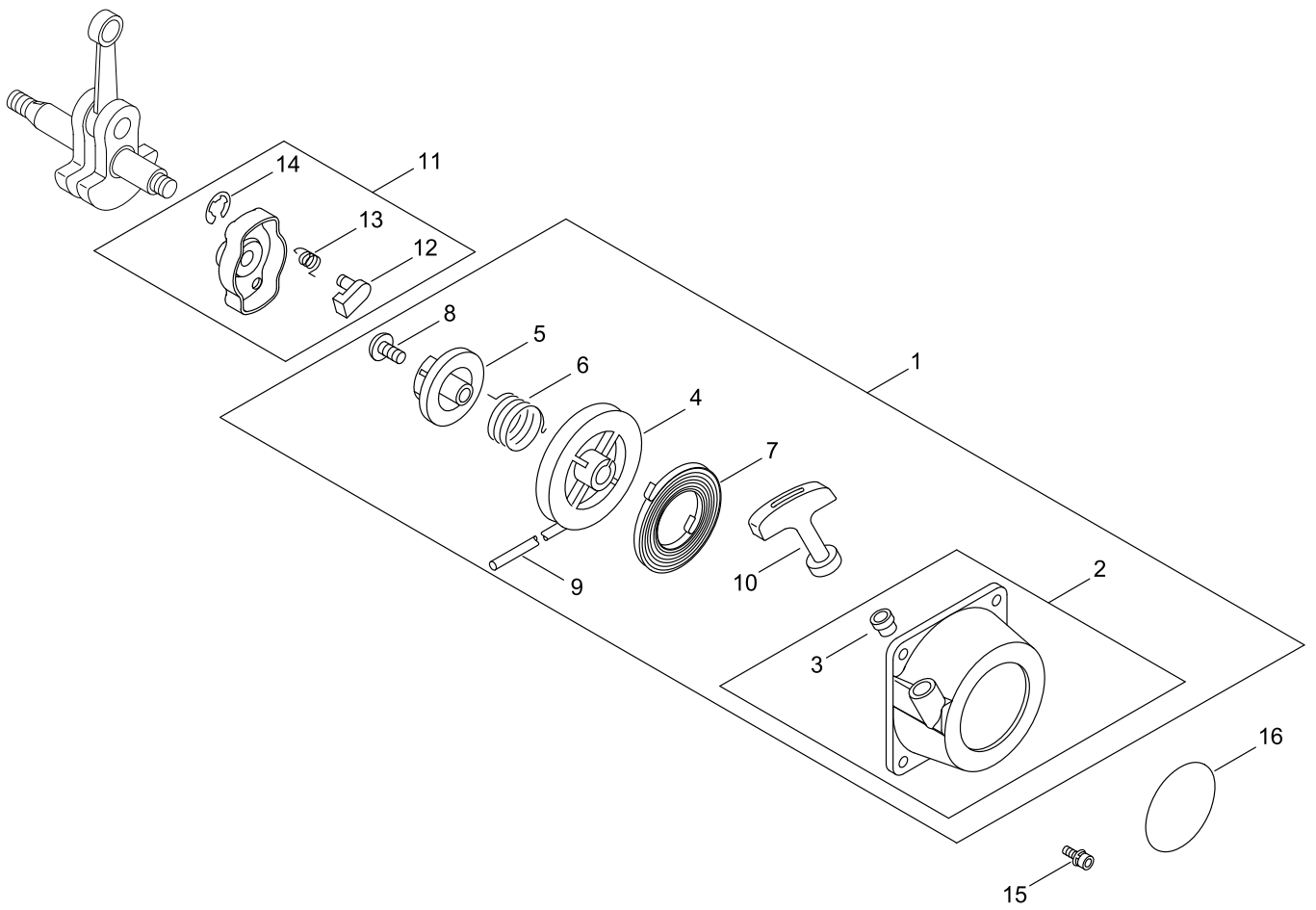
MUFFLER

Key No.	LV (+)	Parts Number	Parts Description	Qty	Standard	Class
1		P021-016643	MUFFLER ASY	1		C
2	+	A313-000600	GUIDE,EXH	1		C
3	+	145862-40630	SCREEN, MUFFLER	1		B
4	+	V104-001761	GASKET,EXHAUST	1		A
5	+	91367-04010	SCREW	5	4*10	C
6		900105-05055	BOLT HSH	2	5*55	
7		V150-000371	PLATE,EYE	1		C
8		V104-000500	GASKET,EXHAUST	1		A
9		91121-04008	BOLT HSH, FLANGE	1	4*8	C

Class : Consumable class

A:Fast moving parts B:Semi-fast moving parts C:Slow moving parts D:Order only as needed

RECOIL STARTER, PULLY



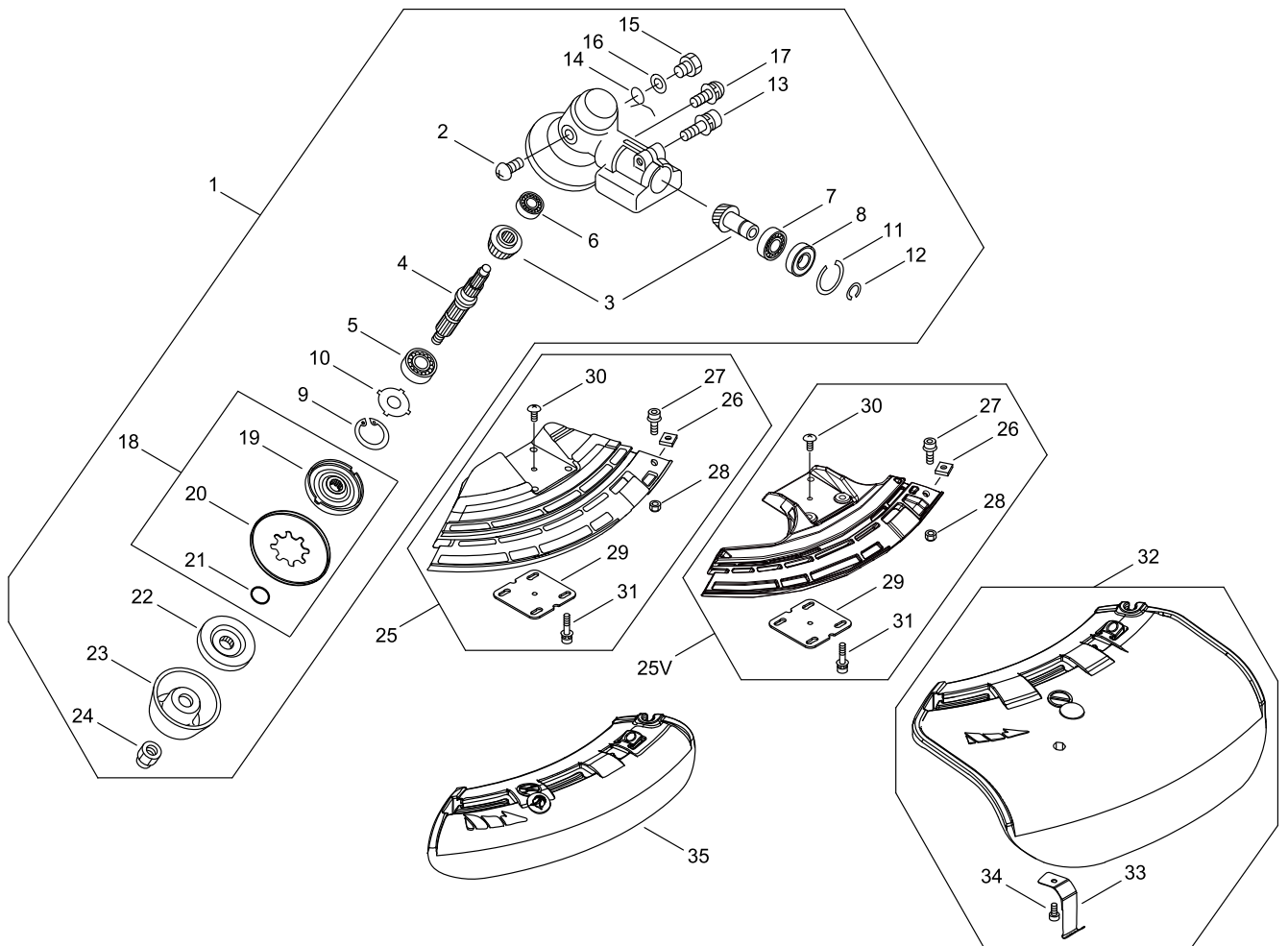
RECOIL STARTER, PULLY

Key No.	LV (+)	Parts Number	Parts Description	Qty	Standard	Class
1		A051-001411	STARTER,RECOIL ASY	1		B
2	+	P022-037150	STARTER CASE	1		C
3	+	P022-045770	GUIDE, ROPE	1		C
4	+	A506-000500	REEL, ROPE	1	A541 081 A12 00	C
5	+	A525-000020	CAM PLATE	1	A543 081 A12 00	C
6	+	P022-008270	SPRING,DAMPER	1		C
7	+	P022-019680	SPRING, SPIRAL	1		B
8	+	177236-61830	SCREW	1		
9	+	P022-025730	ROPE, STARTER	1		B
10	+	P022-036700	GRIP, STARTER	1		C
11		A052-000180	PULLEY,ASM STARTER	1		C
12	+	P022-002100	E-RING	2	4	C
13	+	P022-006510	SPRING, RETURN	2		C
14	+	P022-006850	PAWL, STARTER	2		C
15		V202-000090	BOLT,4	2	4*16	C
16		X502-000890	LABEL,ECHO	1		D

Class : Consumable class

A:Fast moving parts B:Semi-fast moving parts C:Slow moving parts D:Order only as needed

GEAR CASE, SHIELD



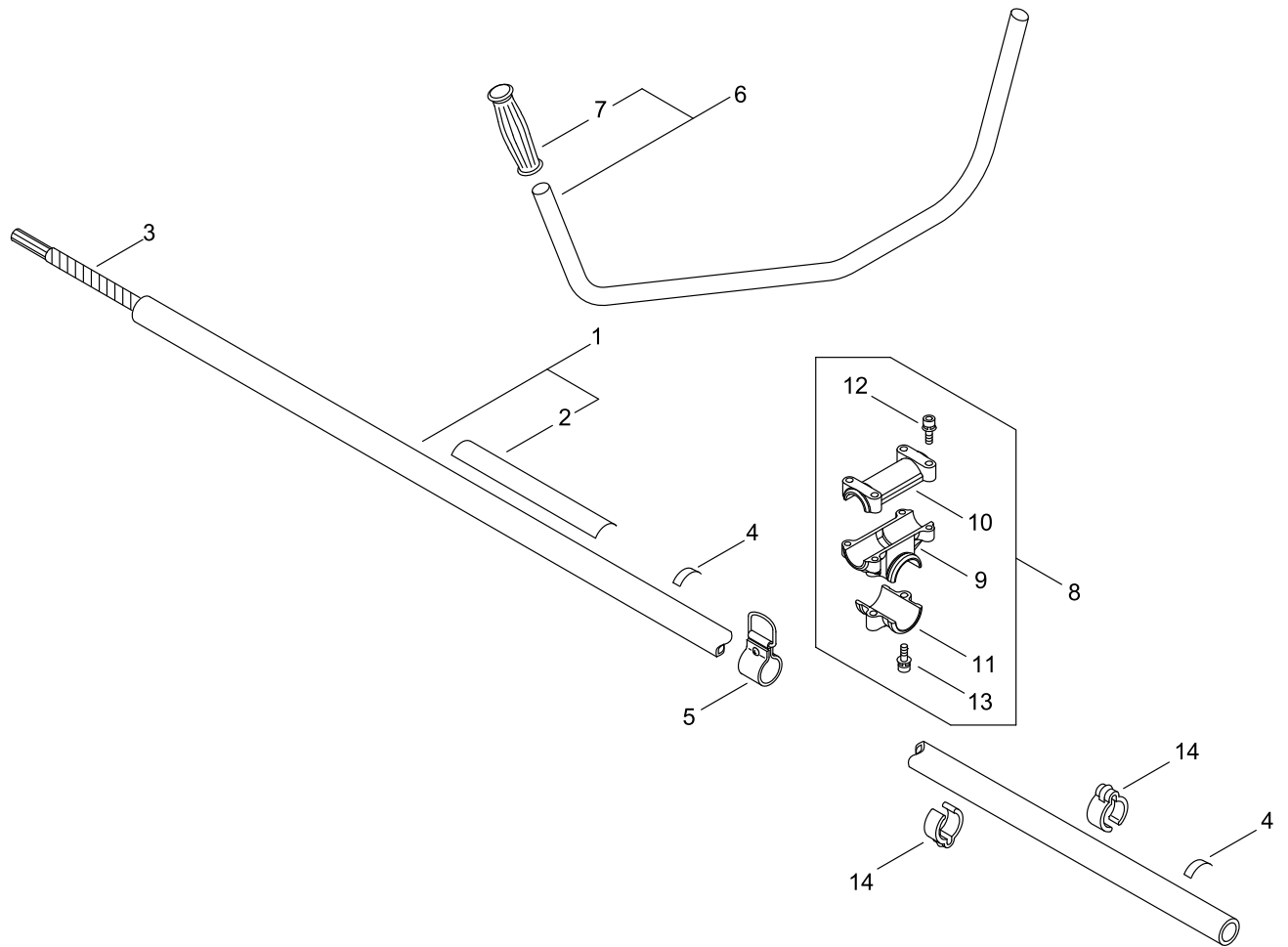
GEAR CASE, SHIELD

Key No.	LV (+)	Parts Number	Parts Description	Qty	Standard	Class
1		P021-005789	HOUSING ASY,GEAR	1		
2	+	900220-04006	SCREW	1	4*6	
3	+	610300-42330	GEAR SET	1		D
4	+	610310-56832	SHAFT, P.T.O.	1	12*10*1	D
5	+	900812-06201	BEARING, BALL	1	6201LLU(DDU)	
6	+	94060-00626	BEARING, BALL	1	626	C
7	+	94060-06900	BEARING, BALL	1	6900	C
8	+	94063-06900	BEARING, BALL	1	6900Z	
9	+	900702-00032	RETAINING RING	1	CR-32	
10	+	610444-56830	WASHER	1		C
11	+	900702-00022	RETAINING RING	1	CR-22	
12	+	900706-00010	RETAINING RING	1	WR-10	
13	+	91118-06025	BOLT HSH	1	6*25	C
14	+	V452-001310	SPRING,TORSION	1		B
15	+	610434-50031	BOLT 8* 8	1	M8*8	B
16	+	900603-50008	WASHER	1	8.5*18*0.8T	C
17	+	91119-05012	BOLT HSH	1	5*12	C
18	+	P100-009780	FIXTURE, BLADE SET	1		B
19	++	610313-52132	FIXTURE, BLADE	1		C
20	++	610352-56830	PLATE, CUP	1		B
21	++	900720-00012	O-RING	1	P-12	
22	+	610314-52130	PLATE, ADAPTER (L)	1		B
23	+	699229-56830	PLATE, COVER	1		B
24	+	610320-52130	NUT 10	1		B
25		P021-038570	SHIELD ASY, BLADE	1		B
25V		P100-010890	SHIELD ASY	1		B
26	+	900565-00005	NUT, SQUARE	1	5	
27	+	91121-05025	BOLT HSH, FLANGE	1	5*25	C
28	+	900562-00005	NUT, LOCK	1	5	
29	+	C552-000200	PLATE, SHIELD	1		D
30	+	91316-04010	SCREW	1	4*10	C
31	+	V203-001980	BOLT,5	4		C
32		P021-002625	SHIELD, BLADE(W/KNIFE	1		B
33	+	C554-000001	KNIFE, CORD	1		B
34	+	91118-05018	BOLT HSH	1	5*18	C
35		C550-000551	SHIELD, BLADE	1		B

Class : Consumable class

A:Fast moving parts B:Semi-fast moving parts C:Slow moving parts D:Order only as needed

MAIN PIPE, HANDLE



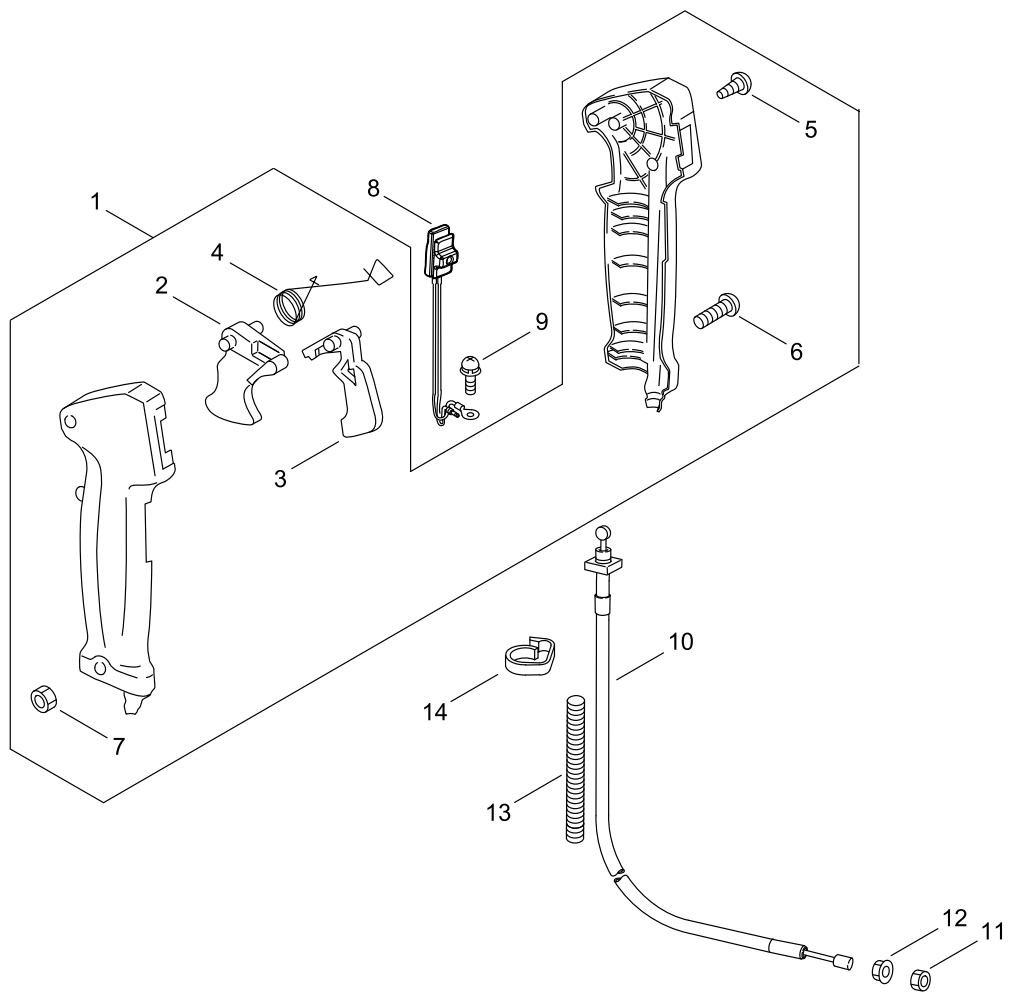
MAIN PIPE, HANDLE

Key No.	LV (+)	Parts Number	Parts Description	Qty	Standard	Class
1		P021-039930	PIPE,MAIN	1		C
2	+	890617-43130	LABEL,CAUTION	1		D
3		610013-44730	SHAFT, FLEXIBLE	1		B
4		890152-04930	LABEL, CAUTION	2		D
5		C063-000040	HOOK,LIFTING	1		C
6		P021-052040	HANDLE ASY	1		
7	+	351311-02330	GRIP, HANDLE	1		C
8		P021-041510	BRACKET ASY, HANDLE	1		
9	+	351312-22331	BRACKET, HANDLE (C)	1		D
10	+	351313-22332	BRACKET, HANDLE (U)	1		D
11	+	351314-22332	BRACKET, HANDLE (L)	1		D
12	+	91118-05025	BOLT HSH	4	5*25	C
13	+	91118-05025	BOLT HSH	2	5*25	C
14		224924-52130	CLIP	2	25MM	C

Class : Consumable class

A:Fast moving parts B:Semi-fast moving parts C:Slow moving parts D:Order only as needed

THROTTLE



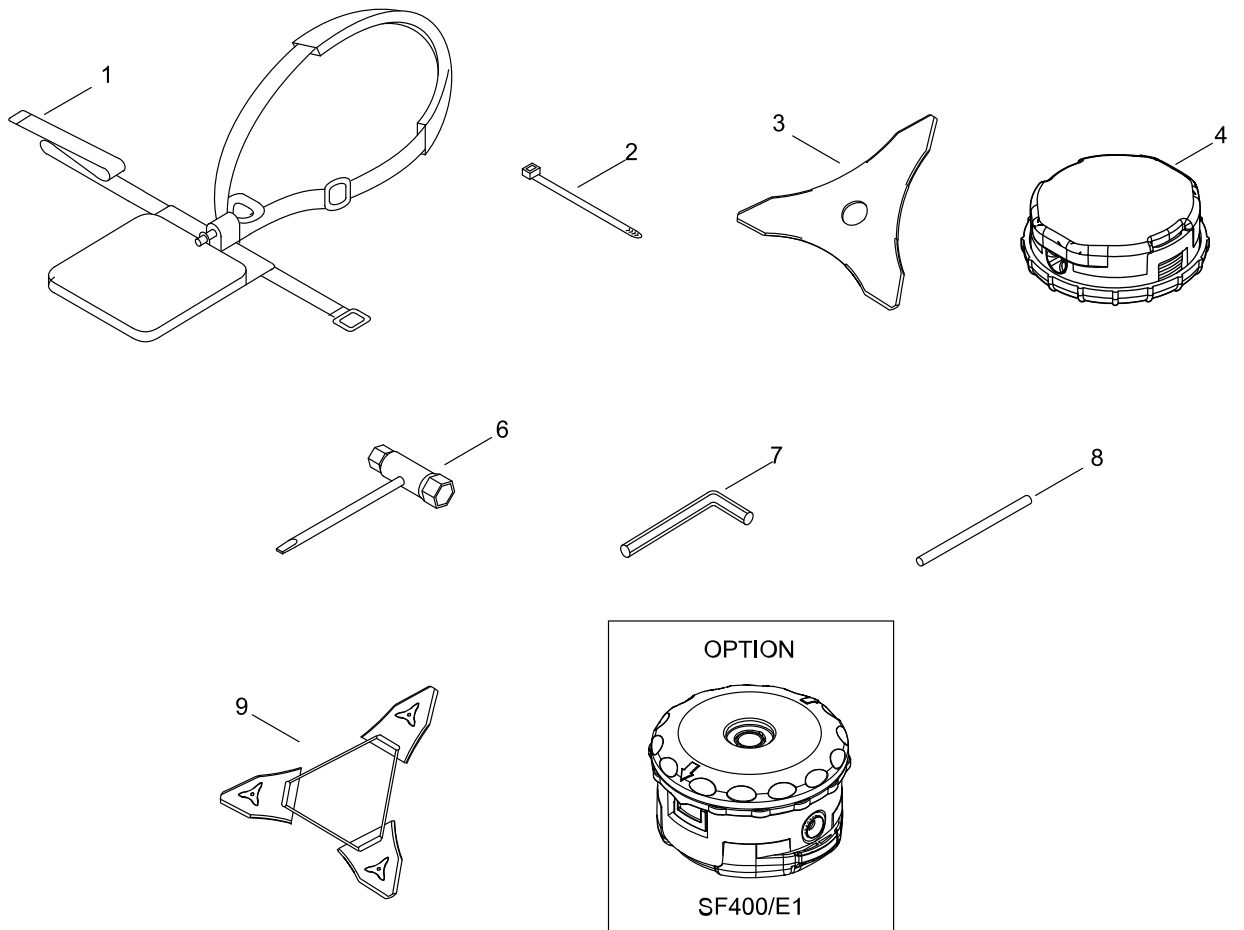
THROTTLE

Key No.	LV (+)	Parts Number	Parts Description	Qty	Standard	Class
1		P100-002430	THROTTLE ASY	1		
2	+	178010-05960	CONTROL, THROTTLE	1		C
3	+	178012-05960	LOCKOUT, THROTTLE	1		C
4	+	178013-35631	SPRING, THR. LOCK	1		B
5	+	900246-03025	SCREW, TAPPING	4	3*25	
6	+	900220-05030	SCREW	1	5*30	
7	+	900500-00005	NUT	1	5	
8		A440-000881	SWITCH, ON OFF	1		C
9		91363-04016	SCREW	1	4*16	C
10		V430-002300	CABLE,BOWDEN	1	770+140	B
11		900502-00006	NUT	1	6	
12		900518-00006	NUT, FLANGE	1	6	
13		V475-001500	TUBE	1	7*740	C
14		159112-09961	CLIP	1		C

Class : Consumable class

A:Fast moving parts B:Semi-fast moving parts C:Slow moving parts D:Order only as needed

ACCESSORIES



ACCESSORIES

Key No.	LV (+)	Parts Number	Parts Description	Qty	Standard	Class
1		301001-44731	HARNESS, SHOULDER	1		B
2		V495-002690	BAND	2	CV-100	C
3		P021-014310	SAW,BUSH CUTTER	1	230*T3.0	
4		X047-000430	CUTTER,ASM LINE	1		A
6		X602-000080	TOOL,WRENCH	1	13*19 L180	D
7		X605-000200	TOOL,L WRENCH	1	4MM M5	D
8		X606-000080	TOOL,BAR	1	5*120	D
9		X495-000270	SCABBARD,BLADE	1		D

Class : Consumable class

A:Fast moving parts B:Semi-fast moving parts C:Slow moving parts D:Order only as needed

NUMERICAL PARTS INDEX

Part No	Part description	Page	Part No	Part description	Page	Part No	Part description	Page
100013-11520	PIN, PISTON	2	900162-04020	BOLT HSH	6	A091-000020	CARBURETOR, ASSEMBLY	10
100014-11520	SPACER, PISTON PIN	2	900162-05022	BOLT HSH	2	A091-000020	CARBURETOR, ASSEMBLY	12
100015-04630	CIRCLIP, PISTON PIN	2	900162-05028	BOLT HSH	4			
100212-42031	OILSEAL	4	900220-04006	SCREW	22	A101-000090	RING,PISTON	2
100242-42030	GASKET, CRANKCASE	4	900220-05030	SCREW	26	A130-002100	CYLINDER	2
101010-44332	GASKET, CYL. BASE	2	900220-05065	SCREW	10	A160-000890	COVER,CYLINDER	2
129011-52730	PLATE, PREVENT	10	900238-05022	SCREW	10	A162-000130	GUARD, TOP	2
130017-44331	INSULATOR	10	900246-03025	SCREW, TAPPING	26	A172-002790	COVER, FAN	8
132012-56030	PIPE	16	900253-05020	SCREW, TAPPING	2	A226-001410	ELEMENT, AIR FILTER	10
132115-46730	GROMMET, FUEL	16	900500-00005	NUT	10	A259-000060	CAP, LIMITER	10
145862-40630	SCREEN, MUFFLER	18	900500-00005	NUT	26	A313-000600	GUIDE, EXH	18
156112-40630	GROMMET	6	900502-00006	NUT	26	A350-000480	TANK, FUEL	16
159011-03432	COIL, SPARK PLUG	6	900518-00006	NUT, FLANGE	26	A356-000031	VALVE, CHECK	16
159012-03433	CAP, SPARK PLUG	6	900562-00005	NUT, LOCK	22	A365-000060	CONNECTOR, CAP	16
159112-09961	CLIP	26	900565-00005	NUT, SQUARE	22	A369-000480	STRAINER, FUEL	16
162010-52830	LEAD, GROUND	6	900603-00005	WASHER	16	A409-000160	ROTOR, MAGNETO	6
175000-56831	CLUTCH ASSEMBLY	8	900603-50008	WASHER	22	A411-000141	COIL, IGNITION	6
175005-44331	DRUM, CLUTCH	8	900702-00022	RETAINING RING	22	A425-000000	SPARKPLUG	6
175313-20430	RING, FELT	8	900702-00032	RETAINING RING	22	A440-000881	SWITCH, ON OFF	26
177236-61830	SCREW	20	900706-00010	RETAINING RING	22	A506-000500	REEL, ROPE	20
178010-05960	CONTROL, THROTTLE	26	900720-00012	O-RING	22	A525-000020	CAM PLATE	20
178012-05960	LOCKOUT, THROTTLE	26	900812-06201	BEARING, BALL	22	A575-000110	FIXTURE, MAIN PIPE	8
178013-35631	SPRING, THR. LOCK	26	91118-05018	BOLT HSH	22	A909-000000	DAIAPHRAGM, PUMP	12
210417-52730	BOLT, WING	10	91118-05020	BOLT HSH	16	A910-000000	GASKET, PUMP	12
224924-52130	CLIP	24	91118-05025	BOLT HSH	24	A913-000000	SCREW	12
301001-44731	HARNESS, SHOULDER	28	91118-05028	BOLT HSH	8	A913-000010	SCREW	12
351311-02330	GRIP, HANDLE	24	91118-06025	BOLT HSH	22	A913-000020	SCREW	12
351312-22331	BRACKET, HANDLE (C)	24	91119-05012	BOLT HSH	22	A913-000030	SCREW	12
351313-22332	BRACKET, HANDLE (U)	24	91121-04008	BOLT HSH, FLANGE	18	A913-000040	SCREW	12
351314-22332	BRACKET, HANDLE (L)	24	91121-05025	BOLT HSH, FLANGE	22	A913-000040	SCREW	14
610013-44730	SHAFT, FLEXIBLE	24	91316-04010	SCREW	22	A914-000000	PUMP, PRIMER	12
610300-42330	GEAR SET	22	91363-04016	SCREW	8	A915-000000	PLATE, SYRINGE	12
610310-56832	SHAFT, P.T.O.	22	91363-04016	SCREW	26	A916-000000	BEARING, ROTOR	12
610313-52132	FIXTURE, BLADE	22	91367-04010	SCREW	18	A921-000000	FRICTION	12
610314-52130	PLATE, ADAPTER (L)	22	94060-00626	BEARING, BALL	22	A927-000000	SWIVEL	12
610320-52130	NUT 10	22	94060-06900	BEARING, BALL	22	A927-000000	SWIVEL	14
610352-56830	PLATE, CUP	22	94063-06900	BEARING, BALL	22	A928-000000	E-RING	12
610434-50031	BOLT 8* 8	22	94095-36201	BEARING, BALL	4	A928-000000	E-RING	14
610444-56830	WASHER	22	A011-001410	CRANKSHAFT, ASY	2	A929-000000	LEVER, METERING	12
660316-55630	CLIP	8	A051-001411	STARTER, RECOIL ASY	20	A930-000000	VALVE, INLET NEEDLE	12
699229-56830	PLATE, COVER	22	A052-000180	PULLEY, ASM STARTER	20	A931-000000	SPRING, METERING	12
890152-04930	LABEL, CAUTION	24	A056-000820	CLUTCH ASY	8	A935-000000	GASKET, METERING	12
890332-52730	LABEL, CHOKE	10	A091-000000	CARBURETOR, ASSEMBLY	10	A935-000000	GASKET, METERING	14
890617-43130	LABEL, CAUTION	24				A936-000000	COVER, METERING	12
900105-05055	BOLT HSH	18	A091-000000	CARBURETOR, ASSEMBLY	12	A936-000000	COVER, METERING	14

NUMERICAL PARTS INDEX

Part No	Part description	Page	Part No	Part description	Page
A937-000000	O-RING	12	P100-009780	FIXTURE, BLADE SET	22
A937-000000	O-RING	14	P100-010890	SHIELD ASY	22
A938-000000	STRAINER	12	V103-001390	GASKET,INTAKE	10
A938-000000	STRAINER	14	V103-001640	GASKET,INTAKE	10
A939-000000	ADJUST SCREW,MAIN	12	V104-000500	GASKET,EXHAUST	18
A939-000030	ADJUST SCREW,MAIN	14	V104-001761	GASKET,EXHAUST	18
A940-000000	BUSH,PLUG	12	V107-000190	GASKET,FUEL CAP	16
A940-000000	BUSH,PLUG	14	V150-000371	PLATE,EYE	18
A941-000000	ADJUST SCREW, THROTTLE	12	V202-000090	BOLT,4	2
A941-000000	ADJUST SCREW, THROTTLE	14	V202-000090	BOLT,4	20
A941-000000	ADJUST SCREW, THROTTLE	14	V203-001980	BOLT,5	22
A944-000040	BASE,ASSEMBLY	12	V315-000030	WASHER,CIRCULAR 30	8
A945-000010	COVER,ASSEMBLY	12	V376-000990	SPACER	8
A947-000000	METER.DIAPHRAGM, ASSE	12	V430-002300	CABLE,BOWDEN	26
A947-000000	METER.DIAPHRAGM, ASSE	14	V452-001310	SPRING,TORSION	22
A947-000000	METER.DIAPHRAGM, ASSE	14	V471-001191	PIPE	16
A949-000000	PIN	12	V471-001201	PIPE	16
C063-000040	HOOK,LIFTING	24	V475-001500	TUBE	26
C550-000551	SHIELD,BLADE	22	V475-007300	TUBE	6
C552-000200	PLATE, SHIELD	22	V490-001240	CLIP	16
C554-000001	KNIFE,CORD	22	V495-002690	BAND	28
P021-002625	SHIELD,BLADE(W/KNIFE	22	V553-000060	BEARING,NEEDLE 8	2
P021-005789	HOUSING ASY,GEAR	22	X047-000430	CUTTER,ASM LINE	28
P021-007712	PISTON KIT	2	X495-000270	SCABBARD,BLADE	28
P021-012211	CAP,FUEL ASY	16	X502-000890	LABEL,ECHO	20
P021-014310	SAW,BUSH CUTTER	28	X505-002310	LABEL,CAUTION	2
P021-016643	MUFFLER ASY	18	X524-001901	LABEL	2
P021-038570	SHIELD ASY, BLADE	22	X547-002310	LABEL,ECHO	8
P021-039930	PIPE,MAIN	24	X602-000080	TOOL,WRENCH	28
P021-041510	BRACKET ASY, HANDLE	24	X605-000200	TOOL,L WRENCH	28
P021-041670	CRANKCASE KIT	4	X606-000080	TOOL,BAR	28
P021-049010	CASE,CLEANER	10			
P021-052040	HANDLE ASY	24			
P022-002100	E-RING	20			
P022-006510	SPRING, RETURN	20			
P022-006850	PAWL, STARTER	20			
P022-008270	SPRING,DAMPER	20			
P022-019680	SPRING, SPIRAL	20			
P022-025730	ROPE, STARTER	20			
P022-036700	GRIP, STARTER	20			
P022-037150	STARTER CASE	20			
P022-045770	GUIDE, ROPE	20			
P100-000110	CLEANER LID ASY	10			
P100-002430	THROTTLE ASY	26			
P100-007580	FAN COVER ASY	8			